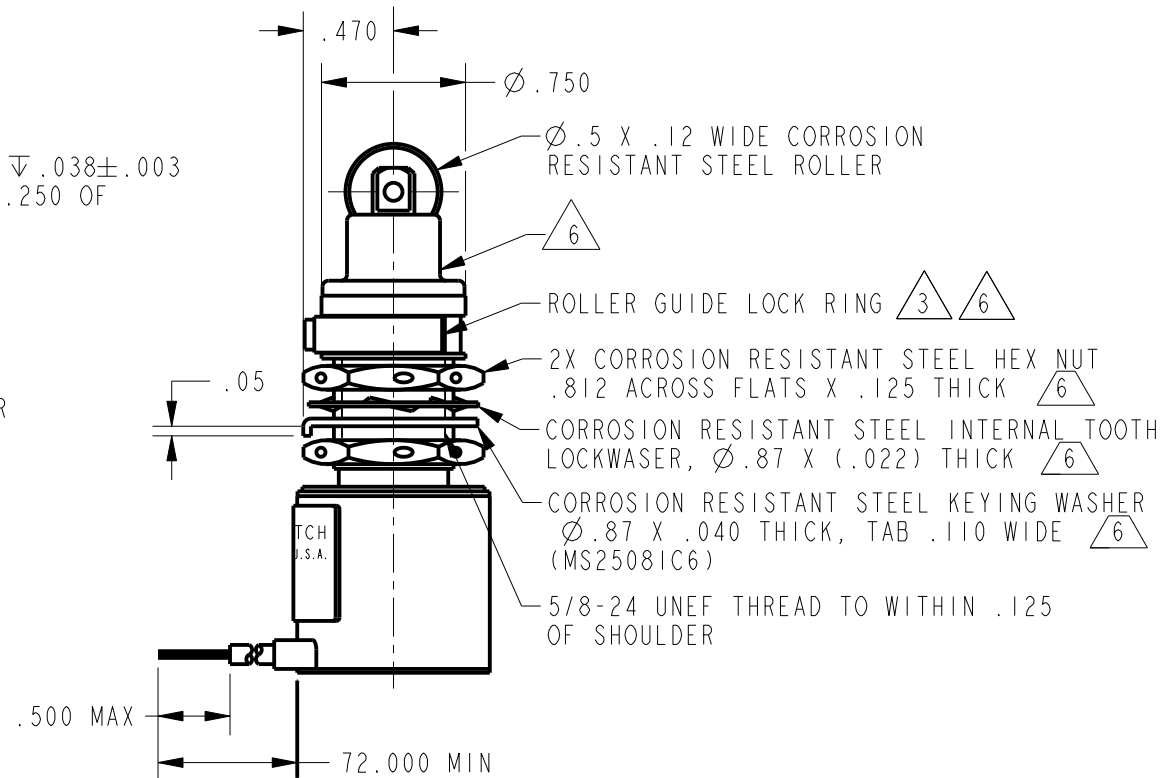
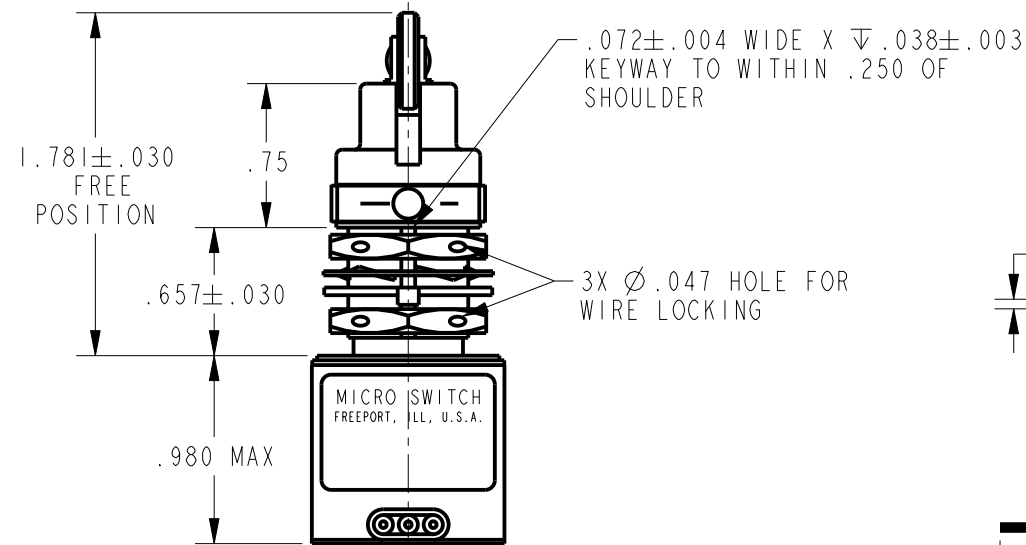
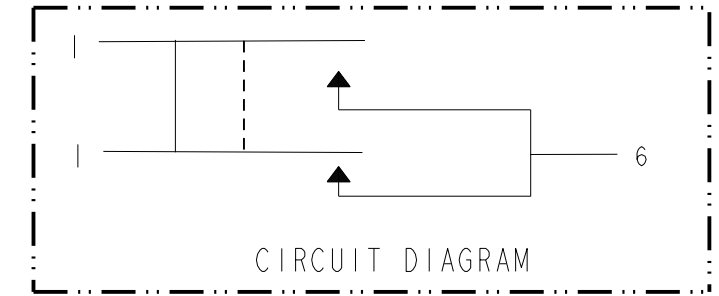
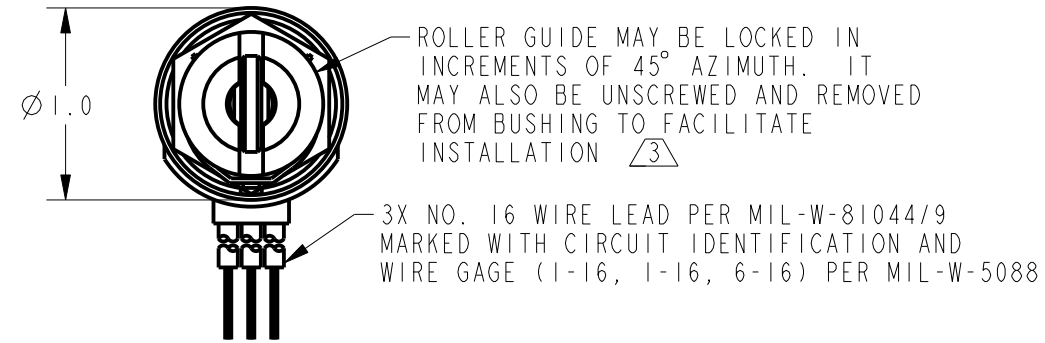


HONEYWELL PART NUMBER
21EN577-6

REV	DOCUMENT	CHANGED BY	CHECK
A	0012755	KSR 29APR05	AK



- NOTES
- 1 - CORROSION RESISTANT STEEL ENCLOSURE
 - 2 - SWITCH SEALED PER MIL-PRF-8805 SYMBOL 4
 - 3 - TO ADJUST ROLLER DIRECTION, REMOVE ROLLER GUIDE LOCK RING, SCREW ROLLER GUIDE DOWN AS FAR AS POSSIBLE, THEN UNSCREW TO DESIRED DIRECTION. SECURE BY REPLACING ROLLER GUIDE LOCK RING
 - 4 - CIRCUIT DIAGRAM, CATALOG LISTING, DATE CODE, & FED MFG CODE ARE SHOWN ON NAMEPLATE
 - 5 - REPLACEMENT LOCK RING-PACKET 15PA137
 - 6 - HARDWARE MAY BE PACKAGED UNASSEMBLED PER MIL-PRF-8805
 - 7 - WEIGHT: 6.0 OZ MAX

CHARACTERISTICS	ELECTRICAL DATA		
OPERATING FORCE-----	6-12 LB		
FULL OVERTRAVEL FORCE-----	30 LB MAX		
RELEASE FORCE-----	4 LB MIN		
PRETRAVEL-----	.040 MAX		
DIFFERENTIAL TRAVEL-----	.020 MAX		
OVERTRAVEL-----	.250 MIN		
	CONTACT ARRANGEMENT S P N O		
		28 VDC	
	LOAD	SEA LEVEL	50,000 FT.
	RES	4	4
	IND	2	2
	MOTOR	4	
	LAMP		

DESIGN UNITS: INCH
TOLERANCES UNLESS NOTED:

NO PLACE	X	±	-
ONE PLACE	.X	±	0.030
TWO PLACE	.XX	±	0.010
THREE PLACE	.XXX	±	0.005
FOUR PLACE	.XXXX	±	-
ANGLES	X	±	-

THIRD ANGLE PROJECTION

DRAWN	LJB	28MAR05
CHECK	AK	29APR05
THIS DRAWING COVERS A PROPRIETARY ITEM AND IS THE PROPERTY OF HONEYWELL. THIS DRAWING IS NOT TO BE COPIED OR USED WITHOUT THE PERMISSION OF HONEYWELL.		
INTERPRET PER ASME Y14.5M-1994 OTHER HONEYWELL ENGINEERING STANDARDS MAY APPLY		
Pro/ENGINEER	2D	

Honeywell			
TITLE SWITCH ENCLOSED			
SIZE	TYPE	DRAWING NAME	REV
B	I	21EN577-6	A
SCALE	1:1	SHEET	1 OF 1

X-ON Electronics

Largest Supplier of Electrical and Electronic Components

Click to view similar products for [Basic / Snap Action Switches](#) category:

Click to view products by [Honeywell](#) manufacturer:

Other Similar products are found below :

[83228001](#) [01.098.1358.1](#) [602EN1-6B](#) [602EN532](#) [602EN535-RB](#) [602HE5-RB1](#) [604HE162](#) [604HE223-6B](#) [624HE17-RB](#) [6HM89](#) [6PA78-JM](#)
[6SE1](#) [6SX1-H58](#) [70500840](#) [MBD5B1](#) [MBH2731](#) [73-316-0012](#) [79211759](#) [79211923](#) [79218589](#) [7AS12](#) [ML-1155](#) [ML-1376](#) [831010C3.0](#)
[831060C3.TL](#) [831090C2.EL](#) [83131904](#) [84212012](#) [8AS239](#) [8HM73-3](#) [903VB1-PG](#) [914CE1-6G](#) [PL-100](#) [11SM1077-H4](#) [11SM1077-H58](#)
[11SM1-TN107](#) [11SM405](#) [11SM703-T](#) [11SM8423-H2](#) [11SX37-T](#) [11SX48-H58](#) [11SX55-H58](#) [11SM2442-T](#) [11SM76-T](#) [11SM77-H58](#)
[11SM77-T](#) [11SM863-T](#) [11SM866](#) [11SX47-H58](#) [A7CN-1M-1-LEFT](#)