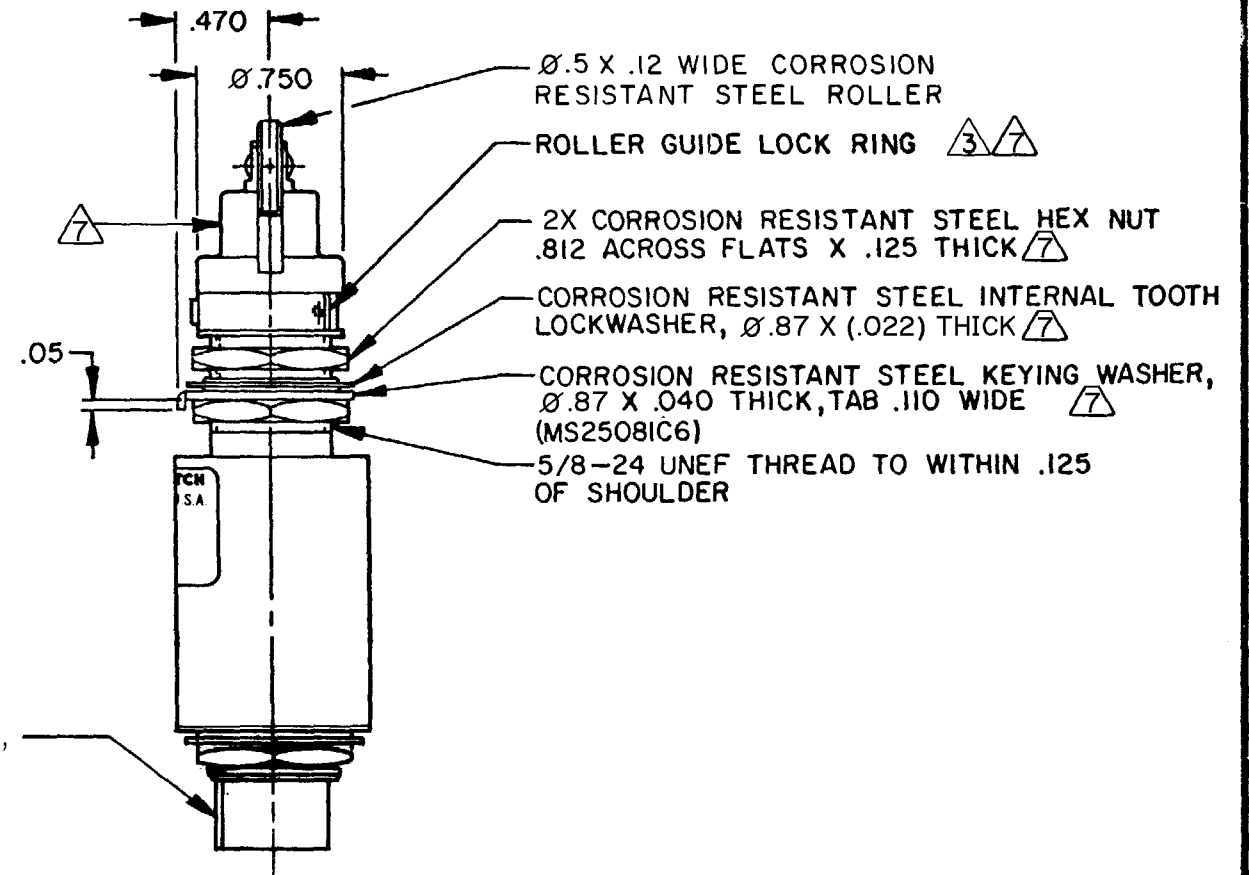
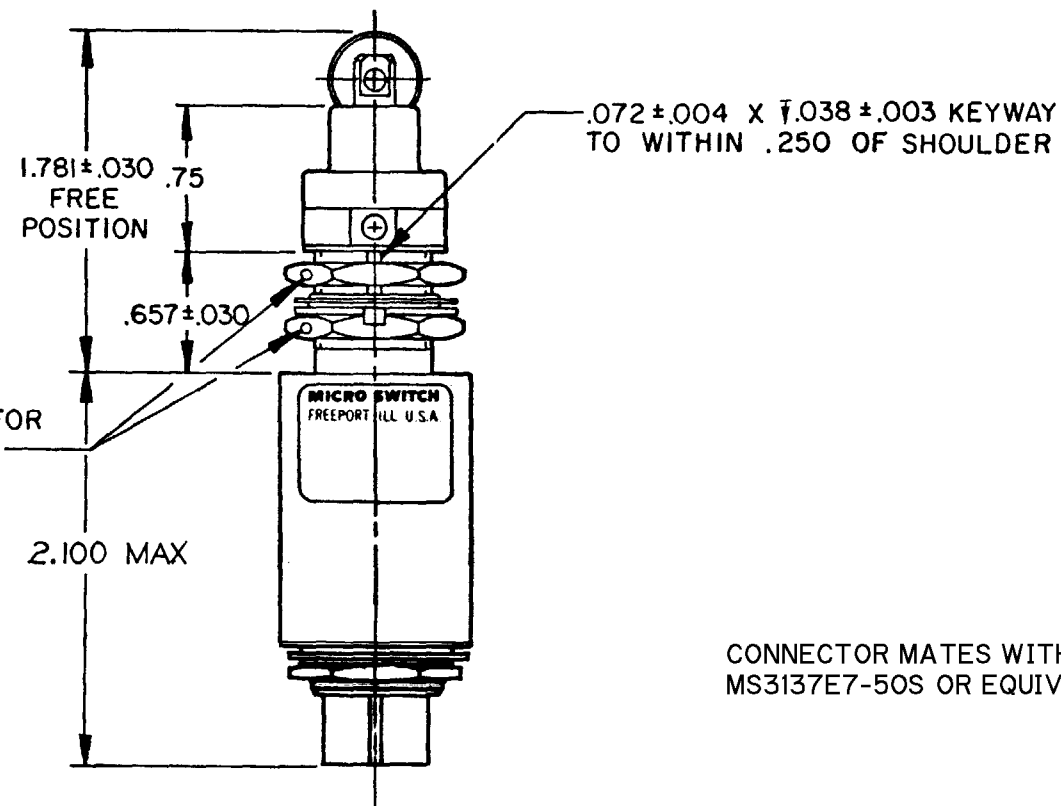
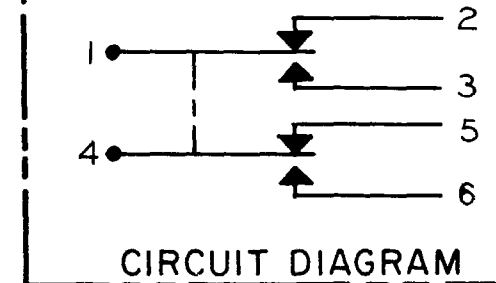
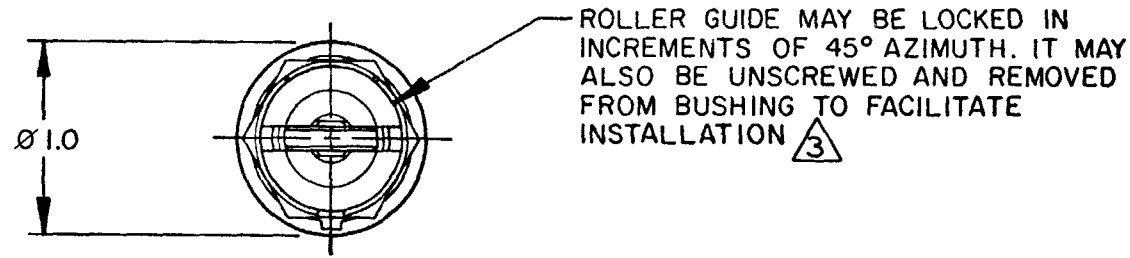


MICRO SWITCH
 FREEPORT ILLINOIS U.S.A.
 A DIVISION OF HONEYWELL
 FED. MFG. CODE 91929

SWITCH - ENCLOSED

CATALOG LISTING
21EN9-R



CONNECTOR MATES WITH MIL-C-81703, MS3137E7-50S OR EQUIVALENT

NOTES

- 1 - SWITCH SEALED PER MIL-PRF-8805, SYMBOL 4
- 2 - CORROSION RESISTANT STEEL ENCLOSURE
- $\triangle 3$ TO ADJUST ROLLER DIRECTION, REMOVE ROLLER GUIDE LOCK RING SCREW ROLLER GUIDE DOWN AS FAR AS POSSIBLE, THEN UNSCREW TO DESIRED DIRECTION. SECURE BY REPLACING ROLLER GUIDE LOCK RING
- 4 - CIRCUIT DIAGRAM AND CATALOG LISTING ARE SHOWN ON NAMEPLATE
- 5 - COINCIDENCE OF OPERATING AND RELEASING POINTS: $.010$ OF PLUNGER TRAVEL
- 6 - KEYWAY IN MOUNTING BUSHING AND RECEPTACLE POLARIZING KEY ARE NOT NECESSARILY ALIGNED
- $\triangle 7$ HARDWARE MAY BE PACKAGED UNASSEMBLED PER MIL-PRF-8805

CATALOG LISTING 21EN9-R
 PAGE 1 OF 1
 ISSUE 18
 REVISIONS
 A CO44351 JEF 7 SEPT 79
 B CO47573 PART 4 R JH 7 AUG 80
 C CO80689 J A S 25 JUN 98
 D 200913 D L T 04 AUG 00
 FORMTEK DRAWN JEF 7 SEPT 79
 CHECK CEB 13 SEPT 79
 REPLACES
 RELEASE NO.

THIS DRAWING COVERS A PROPRIETARY ITEM AND IS THE PROPERTY OF MICRO SWITCH, A DIVISION OF HONEYWELL. THIS DRAWING IS NOT TO BE COPIED OR USED WITHOUT THE APPROVAL OF MICRO SWITCH.

THIRD ANGLE PROJECTION

SCALE FULL

DO NOT SCALE PRINT

| CHARACTERISTICS | |
|-----------------------|-----------|
| OPERATING FORCE | 6-12 LB |
| FULL OVERTRAVEL FORCE | 30 LB MAX |
| RELEASE FORCE | 4 LB MIN |
| PRETRAVEL | .040 MAX |
| DIFFERENTIAL TRAVEL | .020 MAX |
| OVERTRAVEL | .250 MIN |

| ELECTRICAL DATA | | |
|---------------------|-----------|------------|
| CONTACT ARRANGEMENT | | |
| 2X SPDT | | |
| 28 VDC | | |
| LOAD | SEA LEVEL | 50,000 FT. |
| RES | 4 | 4 |
| IND | 2 | 2 |
| MOTOR | 4 | |

| TOLERANCES | | | |
|---|--------|----------|-----------|
| APPLY TO DESIGN UNITS. CONVERSIONS ARE ONLY FOR REFERENCE. UNLESS NOTED, TOLERANCES ARE \pm | | | |
| DIM. | TOL. | DIM. | TOL. |
| mm | mm/in | in | mm/in |
| NO PLACES | X | 1/04 | X X |
| ONE PLACE | X, X | 0.4/018 | X X X |
| TWO PLACES | X, XX | 0.15/006 | X X X X |
| THREE PLACES | X, XXX | | X X X X X |
| ANGLES | | | |

DESIGN UNITS SI METRIC US CUSTOMARY

RAW MATERIAL-COMMERCIAL STANDARD
 MICRO SWITCH STANDARDS APPLY
 DIMENSIONS ARE TO BE MET BEFORE
 PROTECTIVE COATINGS ARE APPLIED

WEIGHT 5.25 OZ MAX

ANSI Y14.5M-1982 APPLIES

X-ON Electronics

Largest Supplier of Electrical and Electronic Components

Click to view similar products for [Basic / Snap Action Switches](#) category:

Click to view products by [Honeywell](#) manufacturer:

Other Similar products are found below :

[83228001](#) [01.098.1358.1](#) [602EN1-6B](#) [602EN532](#) [602EN535-RB](#) [602HE5-RB1](#) [604HE162](#) [604HE223-6B](#) [624HE17-RB](#) [6HM89](#) [6PA78-JM](#)
[6SE1](#) [6SX1-H58](#) [70500840](#) [MBD5B1](#) [MBH2731](#) [73-316-0012](#) [79211759](#) [79211923](#) [79218589](#) [7AS12](#) [ML-1155](#) [ML-1376](#) [831010C3.0](#)
[831060C3.TL](#) [831090C2.EL](#) [83131904](#) [84212012](#) [8AS239](#) [8HM73-3](#) [903VB1-PG](#) [914CE1-6G](#) [PL-100](#) [11SM1077-H4](#) [11SM1077-H58](#)
[11SM1-TN107](#) [11SM405](#) [11SM703-T](#) [11SM8423-H2](#) [11SX37-T](#) [11SX48-H58](#) [11SX55-H58](#) [11SM2442-T](#) [11SM76-T](#) [11SM77-H58](#)
[11SM77-T](#) [11SM863-T](#) [11SM866](#) [11SX47-H58](#) [A7CN-1M-1-LEFT](#)