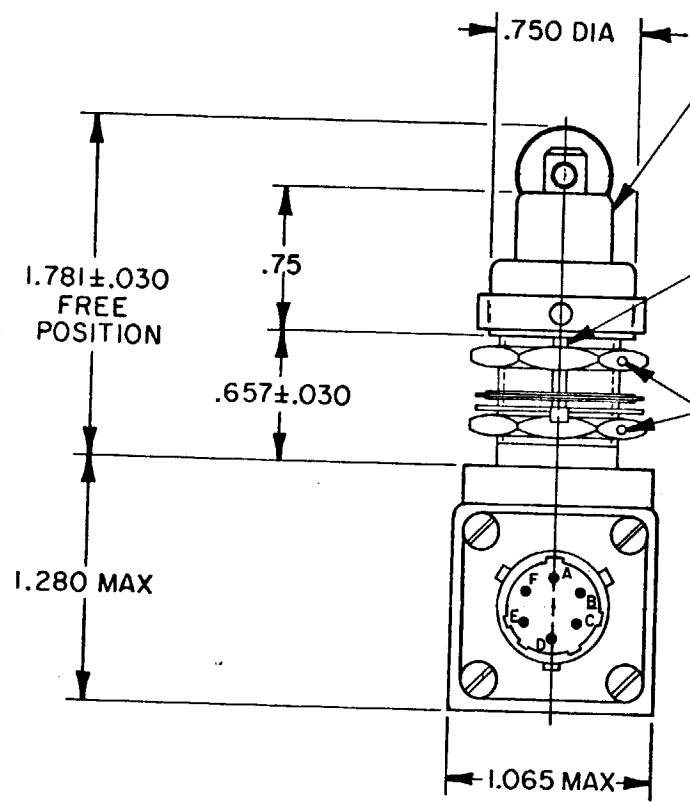
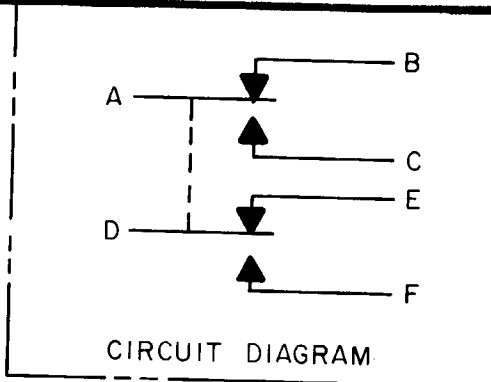


MICRO SWITCH
 FREEPORT ILLINOIS, U.S.A.
 A DIVISION OF HONEYWELL
 FED. MFG. CODE 91929

SWITCH-ENCLOSED

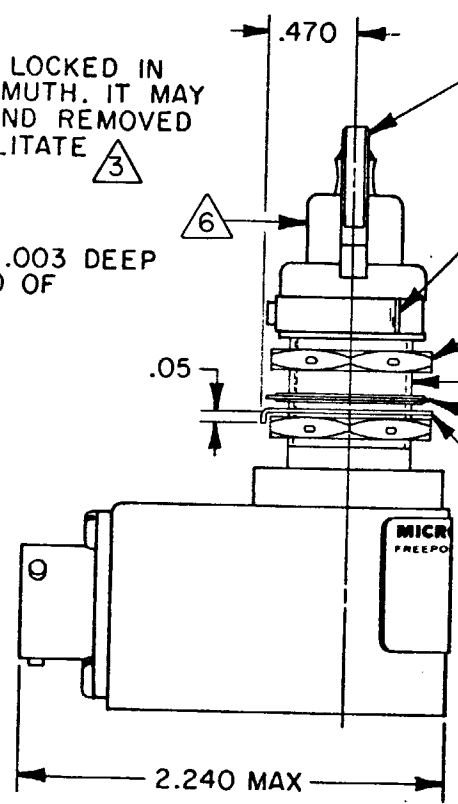
CATALOG LISTING
 21EN9-R7



ROLLER GUIDE MAY BE LOCKED IN INCREMENTS OF 45° AZIMUTH. IT MAY ALSO BE UNSCREWED AND REMOVED FROM BUSHING TO FACILITATE INSTALLATION

.072 ± .004 WIDE X .038 ± .003 DEEP KEYWAY TO WITHIN .250 OF SHOULDER

.047 DIA HOLE FOR WIRE LOCKING



.5 DIA X .12 WIDE CORROSION RESISTANT STEEL ROLLER

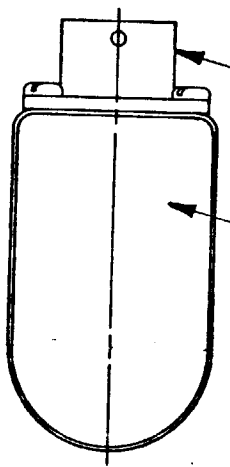
ROLLER GUIDE LOCK RING

CORROSION RESISTANT STEEL HEX NUT, .812 ACROSS FLATS X .125 THICK (2)

5/8-24 UNEF THREAD TO WITHIN .125 OF SHOULDER

CORROSION RESISTANT STEEL INTERNAL TOOTH LOCKWASHER, .87 DIA X .022 REF THICK

CORROSION RESISTANT STEEL KEYING WASHER, (MS 25081C6) .87 DIA X .040 THICK, TAB .110 WIDE



CONNECTOR TO MATE WITH MS 3476E10-6S

LEADS EMBEDDED AND SEALED WITH EPOXY CASTING RESIN AND SEALER

REPLACES: 21EN9-R7

DRAWING NUMBER: M

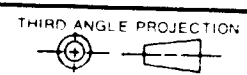
ISSUE: I, II, III, IV

REVISIONS:

A	CO44351	J A P	11 SEPT 79
B	CO47573 PART 4	R J H	7 AUG 80
C	CO48563	G J W	6 FEB 84
D	CO68501	T S M	22 FEB 91
E	CO71719	L J F	3 JAN 92

FO-52851-A

THIS DRAWING COVERS A PROPRIETARY ITEM AND IS THE PROPERTY OF MICRO SWITCH, A DIVISION OF HONEYWELL. THIS DRAWING IS NOT TO BE COPIED OR USED WITHOUT THE APPROVAL OF MICRO SWITCH.



SCALE FULL			
DO NOT SCALE PRINT			
TOLERANCES			
APPLY TO DESIGN UNITS. CONVERSIONS ARE ONLY FOR REFERENCE. UNLESS NOTED, TOLERANCES ARE 1			
DIM. IN	TOL. IN	DIM. MM	TOL. MM
NO PLACES	X	1/04	
ONE PLACE	X,X	0.47/018	X X 0.87/03
TWO PLACES	X,XX	0.157/008	X,XX 0.387/015
THREE PLACES	X,XXX		X,XXX 0.137/005
ANGLES			
DESIGN UNITS	<input type="checkbox"/> SI METRIC	<input checked="" type="checkbox"/> US CUSTOMARY	
RAW MATERIAL-COMMERCIAL STANDARD MICRO SWITCH STANDARDS APPLY			
DIMENSIONS ARE TO BE MET BEFORE PROTECTIVE COATINGS ARE APPLIED			
WEIGHT	6 OZ MAX		

CHARACTERISTICS	
OPERATING FORCE	6-12 LB
FULL OVERTRAVEL FORCE	30 LB MAX
RELEASE FORCE	4 LB MIN
PRETRAVEL	.040 MAX
DIFFERENTIAL TRAVEL	.020 MAX
OVERTRAVEL	.250 MIN

ELECTRICAL DATA	
CONTACT ARRANGEMENT S P D T (2)	
28 VDC	
LOAD	SEA LEVEL 50,000 FT.
RES	4 4
IND	2 2
MOTOR	4

- NOTES
- 1 - CORROSION RESISTANT STEEL ENCLOSURE
 - 2 - SWITCH SEALED PER MIL-S-8805 SYMBOL 4
 - 3 - TO ADJUST ROLLER DIRECTION, REMOVE ROLLER GUIDE LOCK RING, SCREW ROLLER GUIDE DOWN AS FAR AS POSSIBLE, THEN UNSCREW TO DESIRED DIRECTION. SECURE BY REPLACING ROLLER GUIDE LOCK RING
 - 4 - CIRCUIT DIAGRAM AND CATALOG LISTING ARE SHOWN ON NAMEPLATE
 - 5 - COINCIDENCE OF OPERATING AND RELEASING POINTS: .010 INCH OF PLUNGER TRAVEL
 - 6 - HARDWARE MAY BE PACKAGED UNASSEMBLED PER MIL-S-8805

X-ON Electronics

Largest Supplier of Electrical and Electronic Components

Click to view similar products for [Limit Switches](#) category:

Click to view products by [Honeywell](#) manufacturer:

Other Similar products are found below :

[6LS2-4PG](#) [5ML1-E1](#) [5ML31](#) [LZG1](#) [LZL1-6C](#) [622EN114-R](#) [622EN18-6](#) [622EN224-6B](#) [622EN230](#) [622EN237-R](#) [622EN69-3](#) [622EN85-RB](#)
[MA-10019](#) [6PA109](#) [7LS51](#) [83547001](#) [83725002](#) [83830001](#) [83840001](#) [83840701](#) [83841001](#) [83870104](#) [83881140](#) [8AS42](#) [8LS10](#) [8LS125-](#)
[4PG](#) [8LS152-4PGN20](#) [914CE16-3A](#) [914CE16-AQ](#) [914CE3-3L1](#) [915PA10](#) [91MCE16-P2O](#) [924CE16-Y3](#) [924CE1-S6](#) [924CE1-T25A](#)
[924CE1-T3](#) [924CE1-T9A](#) [924CE2-T9](#) [924CE31-Y20-X5](#) [924CE31-Y3L1](#) [GL-10054](#) [GL-85710](#) [GL-85714](#) [GLAB26J2B](#) [GLDB03C-6](#)
[GLZ324](#) [PS21R-NT11N7-YK0](#) [D4A-1106N](#) [D4A1201N](#) [D4A-3E02N](#)