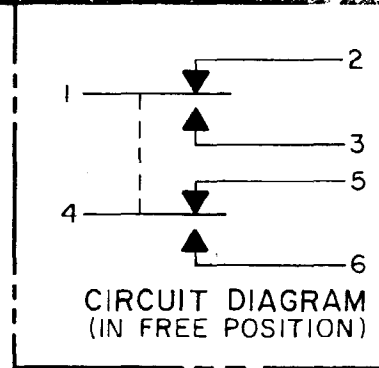


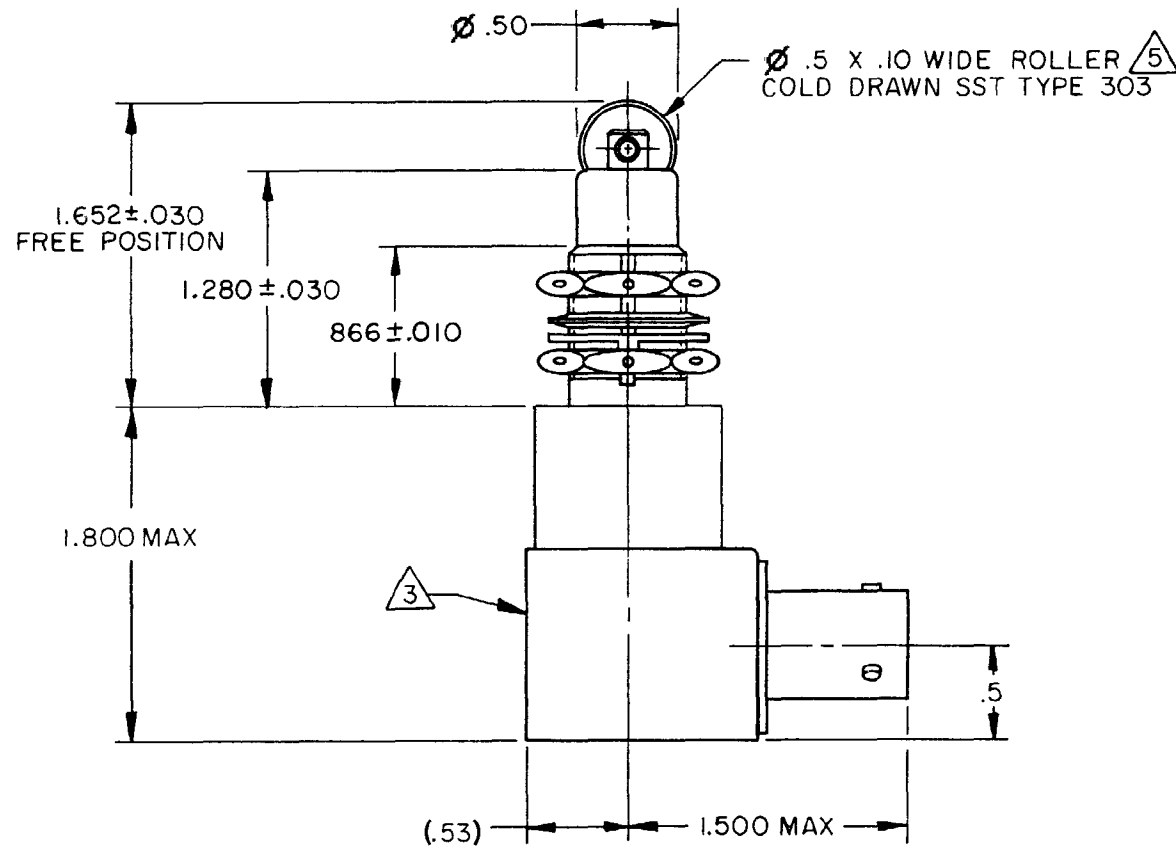
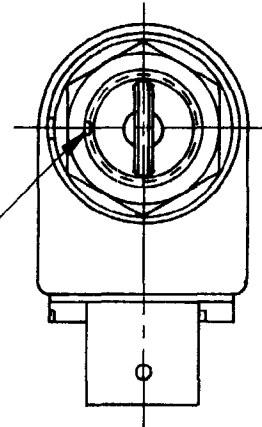
MICRO SWITCH
 FREEPORT ILLINOIS U S A
 A DIVISION OF HONEYWELL
 FED. MFG. CODE 91929

SWITCH-ENCLOSED

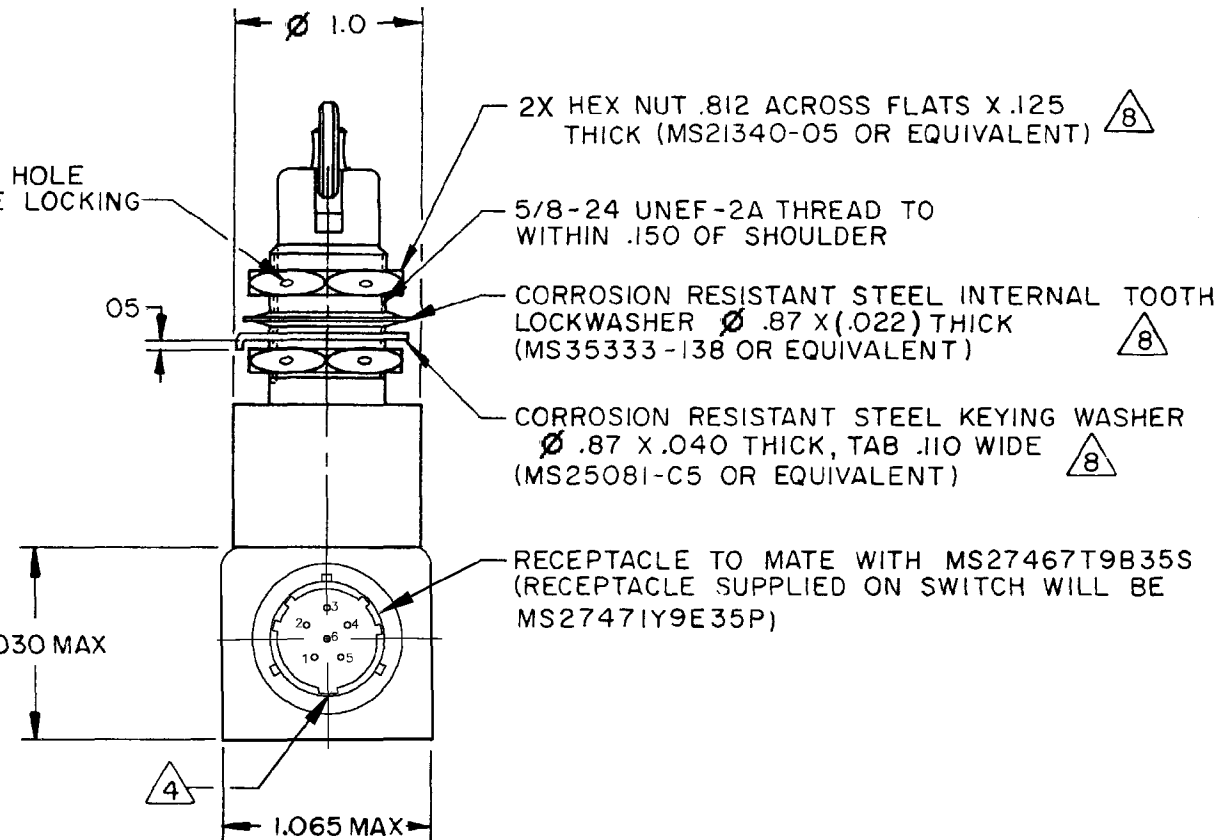
CATALOG LISTING
221EN54-R
 CUSTOMER PART #
 18876-13027441-1



.072±.004 WIDE X .038±.003
 KEYWAY TO WITHIN
 .250 OF SHOULDER



3X Ø .047 HOLE
 FOR WIRE LOCKING



CATALOG LISTING
221EN54-R
 PAGE 1 OF 1

REPLACES X77969-EN

RELEASE NO. PR-12904-T

M

ISSUE
11

REVISIONS

A	PR12904	TSK	14 MAY 84
B	0058843	TSK	22 JAN 86
C	95258	GJW	18 JUN 99
D	200942	CSL	7 AUG 00
E	0010299	TCC/AP	27 DEC 04

CHECK

CHECK

CHECK

11 MAY 84

11 MAY 84

ANSI Y14.5M-1982 APPLIES

THIS DRAWING COVERS A PROPRIETARY ITEM AND IS THE PROPERTY OF MICRO SWITCH, A DIVISION OF HONEYWELL. THIS DRAWING IS NOT TO BE COPIED OR USED WITHOUT THE APPROVAL OF MICRO SWITCH.

CHARACTERISTICS	
OPERATING FORCE	6-10 LB
FULL OVERTRAVEL FORCE	30 LB MAX
RELEASE FORCE	4 LB MIN
PRETRAVEL	.040 MAX
DIFFERENTIAL TRAVEL	.020 MAX
OVERTRAVEL	.250 MIN

ELECTRICAL DATA		
CONTACT ARRANGEMENT SEE CIRCUIT DIAGRAM		
28 VDC		
LOAD	SEA LEVEL	50,000 FT
RES	4	4
IND	2	2
MOTOR	4	
LAMP		

SCALE	FULL		
DO NOT SCALE PRINT			
TOLERANCES			
APPLY TO DESIGN UNITS. CONVERSIONS ARE ONLY FOR REFERENCE UNLESS NOTED. TOLERANCES ARE:			
NO. PLACES	TOL.	NO. PLACES	TOL.
ONE PLACE	±.04	TWO PLACES	±.005
TWO PLACES	±.0016	THREE PLACES	±.0005
THREE PLACES	±.0006	ANGLES	±.005
DESIGN UNITS		<input type="checkbox"/> METRIC <input checked="" type="checkbox"/> US CUSTOMARY	
THIRD ANGLE PROJECTION			
WEIGHT		7 OZ MAX	

NOTES

- 1 - ALL EXPOSED PARTS ARE CORROSION RESISTANT
- 2 - SWITCH SEALED PER MIL-PRF-8805 SYMBOL 4
- 3 - CATALOG LISTING, CIRCUIT DIAGRAM, FSCM NO. AND CUSTOMER PART NO. PERMANENTLY MARKED ON SIDE OF SWITCH
- 4 - RECEPTACLE POLARIZING KEY POSITION
- 5 - ROLLER WILL ROTATE FREELY
- 6 - PLUNGER SEAL MATERIAL - E.P. RUBBER
- 7 - NOTED ELECTRICAL RATING APPLY AS SPECIFIED IN MIL-PRF-8805/40-1 UP TO 185°F
- 8 - HARDWARE MAY BE PACKAGED UNASSEMBLED PER MIL-PRF-8805
- 9 - SWITCH RATED FOR -65°F TO 185°F CONTINUOUS OPERATING CONDITION AND 250°F IN NONOPERATING CONDITION

RASTER
 FO-8281-B

DRAWN

TSK

11 MAY 84

CHECK

11 MAY 84

X-ON Electronics

Largest Supplier of Electrical and Electronic Components

Click to view similar products for [Basic / Snap Action Switches](#) category:

Click to view products by [Honeywell](#) manufacturer:

Other Similar products are found below :

[83228001](#) [01.098.1358.1](#) [602EN1-6B](#) [602EN532](#) [602EN535-RB](#) [602HE5-RB1](#) [604HE162](#) [604HE223-6B](#) [624HE17-RB](#) [6HM89](#) [6PA78-JM](#)
[6SE1](#) [6SX1-H58](#) [70500840](#) [MBD5B1](#) [MBH2731](#) [73-316-0012](#) [79211759](#) [79211923](#) [79218589](#) [7AS12](#) [ML-1155](#) [ML-1376](#) [831010C3.0](#)
[831060C3.TL](#) [831090C2.EL](#) [83131904](#) [84212012](#) [8AS239](#) [8HM73-3](#) [903VB1-PG](#) [914CE1-6G](#) [PL-100](#) [11SM1077-H4](#) [11SM1077-H58](#)
[11SM1-TN107](#) [11SM405](#) [11SM703-T](#) [11SM8423-H2](#) [11SX37-T](#) [11SX48-H58](#) [11SX55-H58](#) [11SM2442-T](#) [11SM76-T](#) [11SM77-H58](#)
[11SM77-T](#) [11SM863-T](#) [11SM866](#) [11SX47-H58](#) [A7CN-1M-1-LEFT](#)