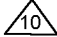
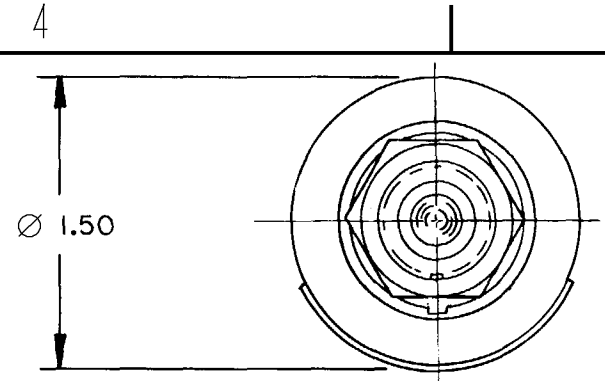
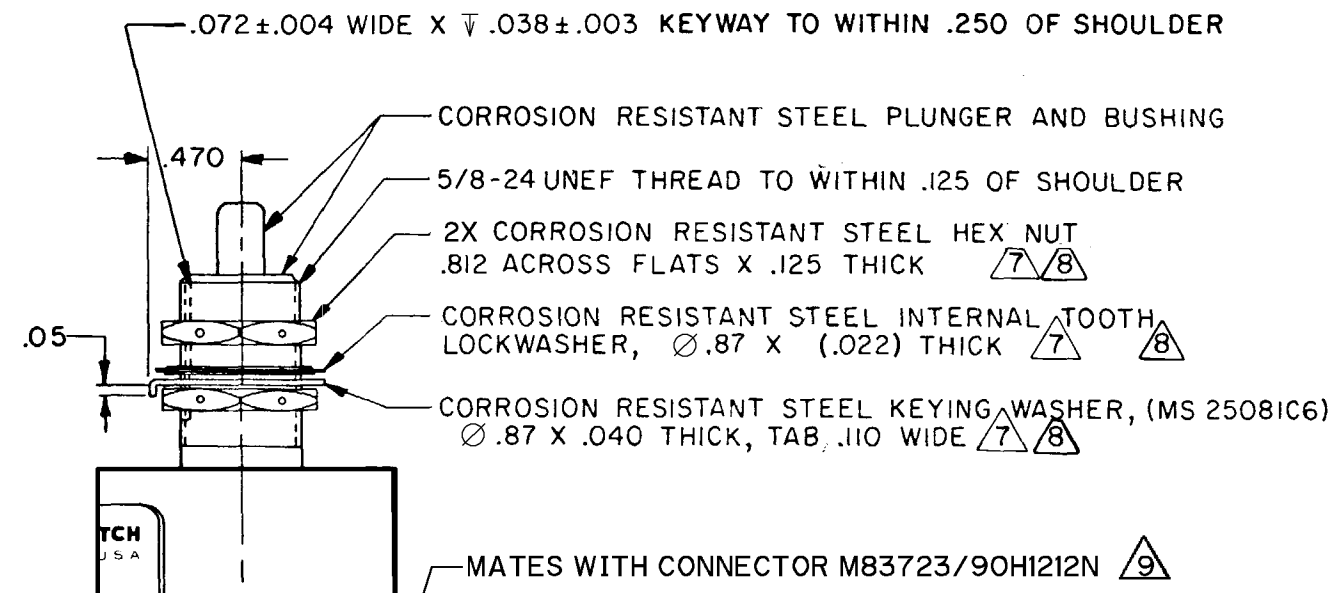
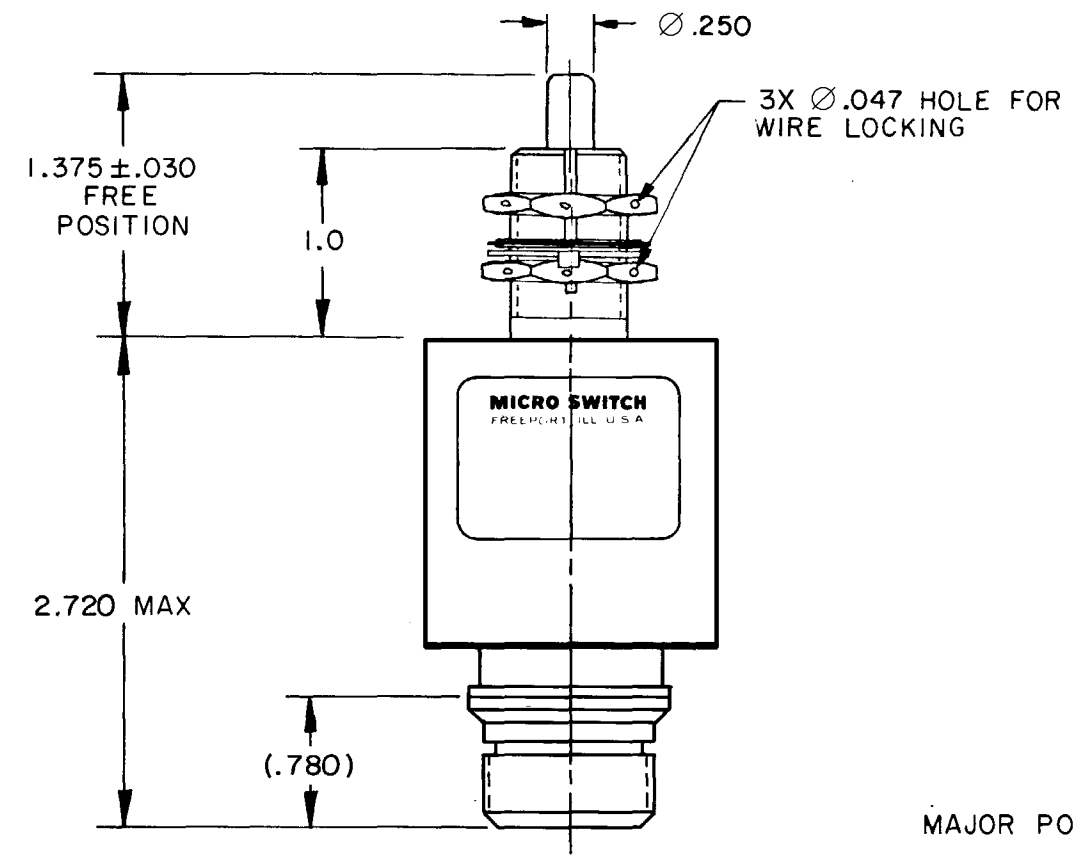






HONEYWELL
PART NUMBER
2EN19-RB
FAA-PMA 

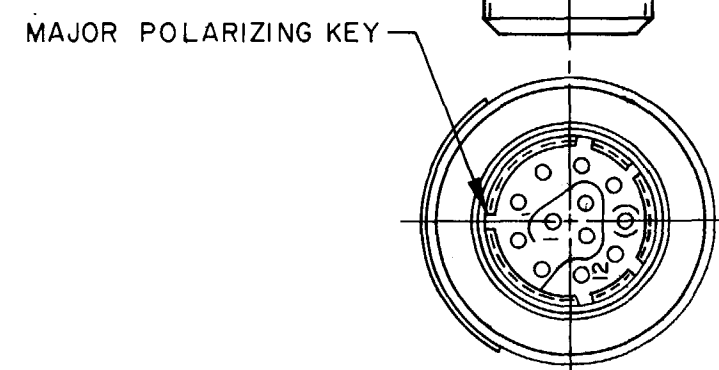
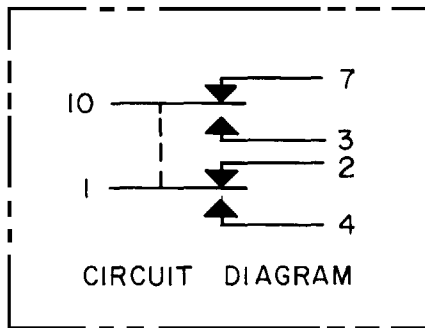
REV	DOCUMENT	CHANGED BY	CHECK
29	0013209	TSG 01JUN05	AK



B



- NOTES
- CORROSION RESISTANT STEEL ENCLGSURE
 - SWITCH SEALED PER MIL-PRF-8805 SYMOBL 4
 - COINCIDENCE OF OPERATING AND RELEASING POINTS: .010 OF PLUNGER TRAVEL
 - CIRCUIT DIAGRAM, CATALOG LISTING, DATE CODE, FED. MFG. CODE & FAA-PMA ARE SHOWN ON NAMEPLATE
 - KEYWAY IN BUSHING AND POLARIZING KEY OF RECEPTACLE ARE ALIGNED
 - RECEPTACLE PIN NO. 5,6,8,9,11 AND 12 ARE NOT USED
 -  HARDWARE MAY BE PACKAGED UNASSEMBLED PER MIL-PRF-8805
 -  REPLACEMENT MOUNTING HARDWARE - PACKET 19PA13
 -  SWITCH PROVIDED WITH PROTECTIVE DUST CAP PER MS-90376-14R OR EWUIVALENT
 -  FOR MANUFACTURING DETAIL SEE ASSEMBLY DRAWING 2EN19-RB FOR FAA-PMA
 - 11 - WEIGHT: 7.0 OZ MAX



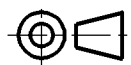
OPERATING FORCE	6-12 LB
FULL OVERTRAVEL FORCE	30 LB MAX
RELEASE FORCE	5 LB MIN
PRETRAVEL	.050 MAX
DIFFERENTIAL TRAVEL	.035 MAX
OVERTRAVEL	.250 MIN

CONTACT ARRANGEMENT SEE CIRCUIT DIAGRAM		
LOAD	28 VDC	
	SEA LEVEL	50,000 FT.
RES	10	10
IND	3	3
MOTOR	6	

DESIGN UNITS: INCH
TOLERANCES UNLESS NOTED:

NO PLACE	X ±	-
ONE PLACE	.X ±	0.030
TWO PLACE	.XX ±	0.015
THREE PLACE	.XXX ±	0.005
FOUR PLACE	.XXXX ±	-
ANGLES	±	-

THIRD ANGLE PROJECTION



DRAWN	JAP	6 JUL 79
CHECK	-	-
THIS DRAWING COVERS A PROPRIETARY ITEM AND IS THE PROPERTY OF HONEYWELL. THIS DRAWING IS NOT TO BE COPIED OR USED WITHOUT THE PERMISSION OF HONEYWELL.		
INTERPRET PER ASME Y14.5M-1994 OTHER HONEYWELL ENGINEERING STANDARDS MAY APPLY		
RASTER		

Honeywell			
TITLE SWITCH ENCLOSED			
SIZE	TYPE	DRAWING NAME	REV
B	I	2EN19-RB	29
SCALE	1:1	SHEET 1 OF 1	

4

3

4

2

1

B

A

X-ON Electronics

Largest Supplier of Electrical and Electronic Components

Click to view similar products for [Basic / Snap Action Switches](#) category:

Click to view products by [Honeywell](#) manufacturer:

Other Similar products are found below :

[83228001](#) [01.098.1358.1](#) [602EN1-6B](#) [602EN532](#) [602EN535-RB](#) [602HE5-RB1](#) [604HE162](#) [604HE223-6B](#) [624HE17-RB](#) [6HM89](#) [6PA78-JM](#)
[6SE1](#) [6SX1-H58](#) [70500840](#) [MBD5B1](#) [MBH2731](#) [73-316-0012](#) [79211759](#) [79211923](#) [79218589](#) [7AS12](#) [ML-1155](#) [ML-1376](#) [831010C3.0](#)
[831060C3.TL](#) [831090C2.EL](#) [83131904](#) [84212012](#) [8AS239](#) [8HM73-3](#) [903VB1-PG](#) [914CE1-6G](#) [PL-100](#) [11SM1077-H4](#) [11SM1077-H58](#)
[11SM1-TN107](#) [11SM405](#) [11SM703-T](#) [11SM8423-H2](#) [11SX37-T](#) [11SX48-H58](#) [11SX55-H58](#) [11SM2442-T](#) [11SM76-T](#) [11SM77-H58](#)
[11SM77-T](#) [11SM863-T](#) [11SM866](#) [11SX47-H58](#) [A7CN-1M-1-LEFT](#)