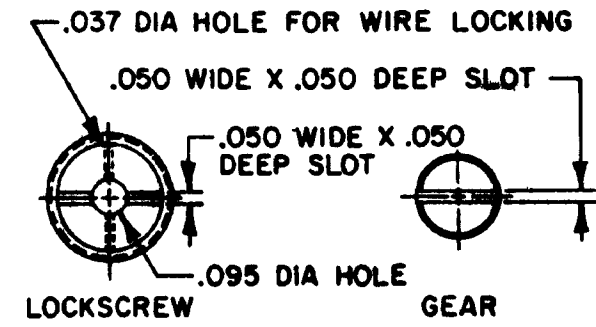
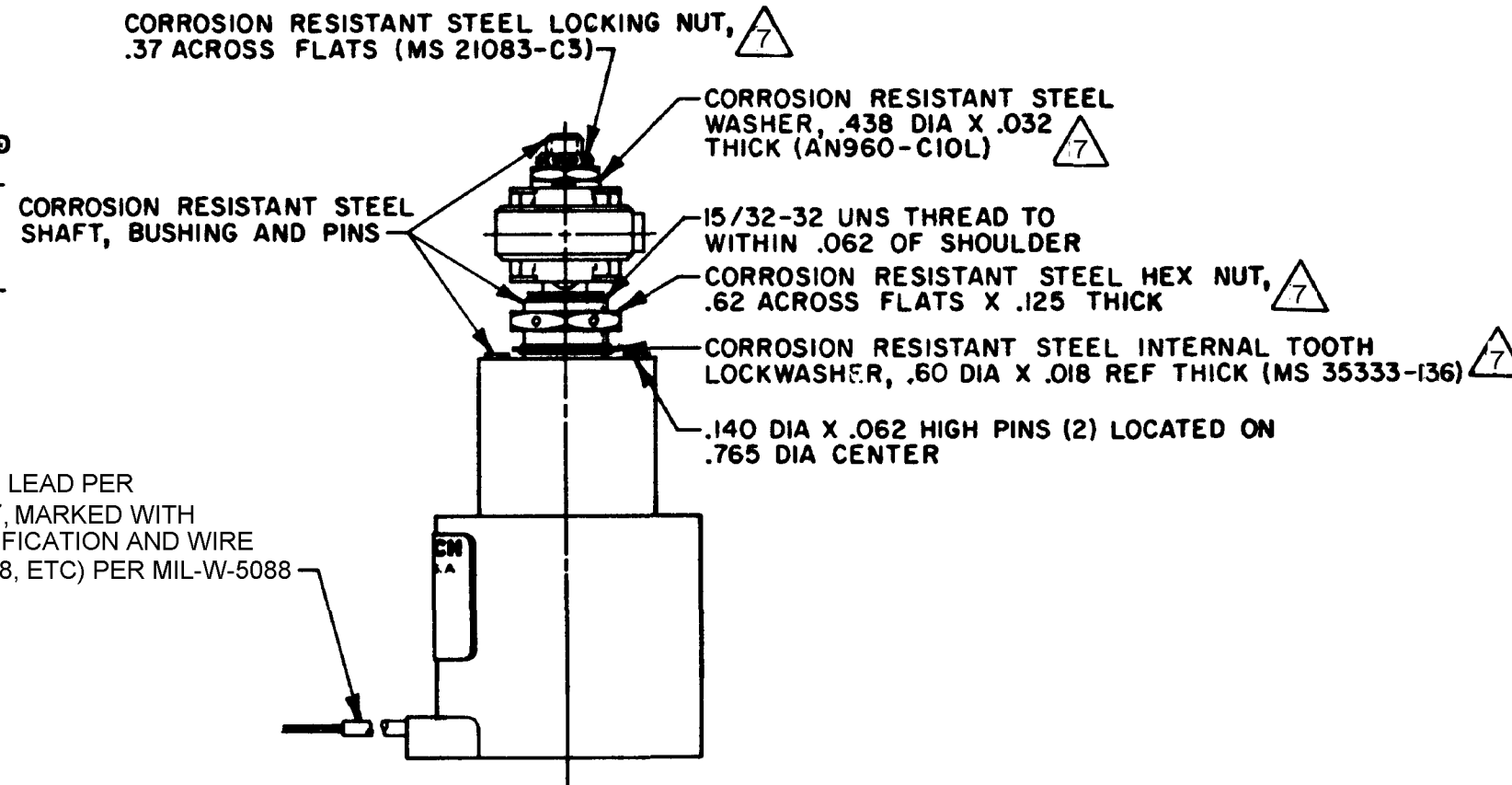
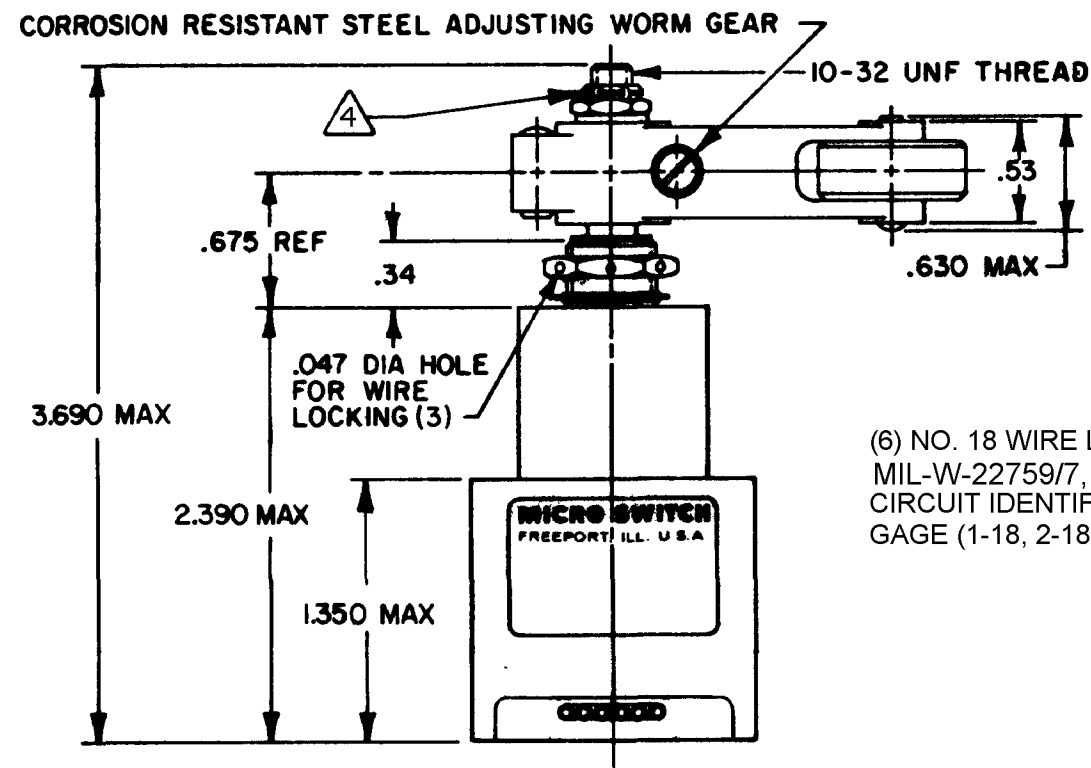
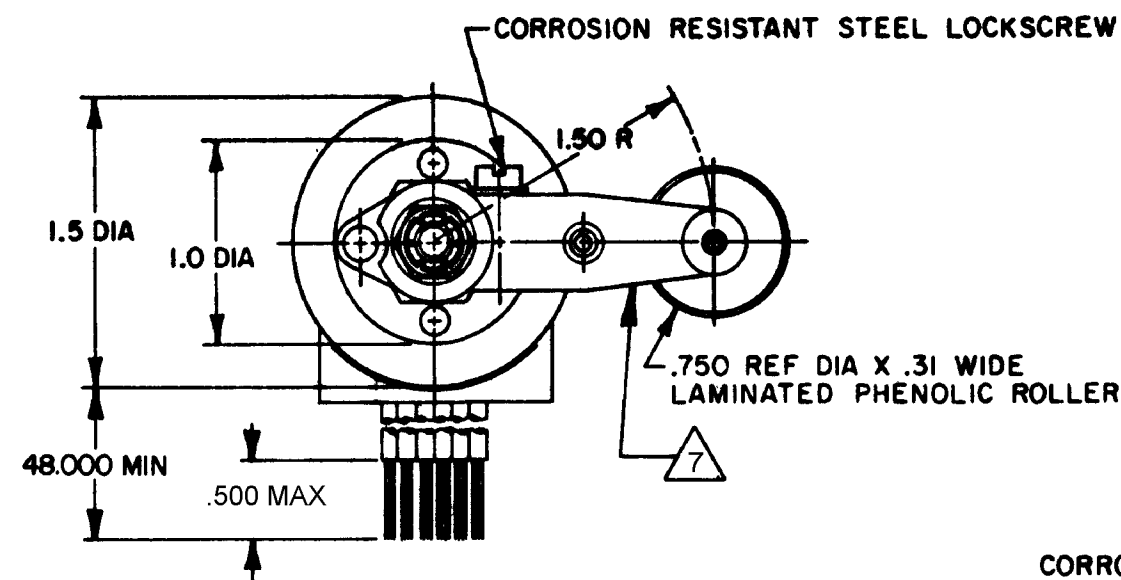
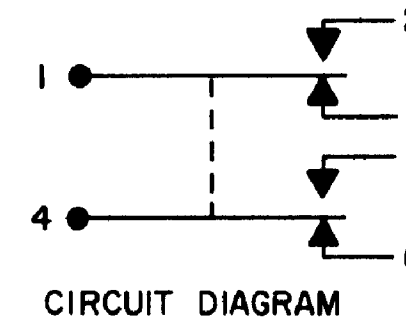
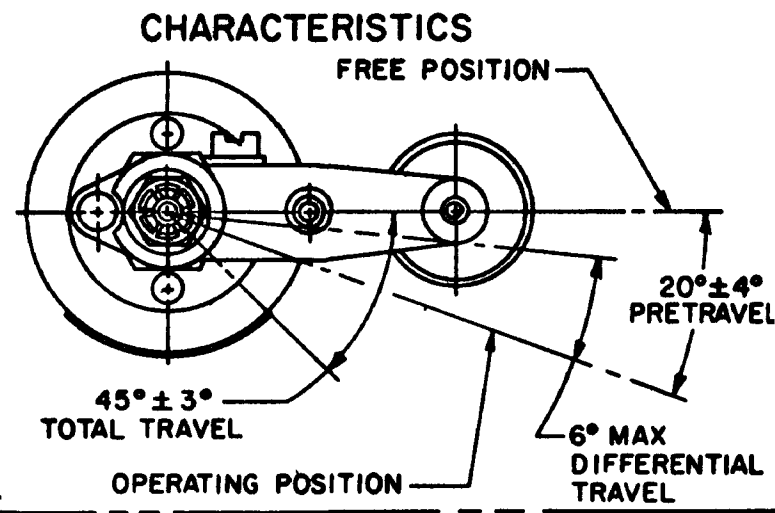


HONEYWELL
PART NUMBER
35EN23-4
FAA-PMA

REV	DOCUMENT	CHANGED BY	CHECK
11	0006858	CVS 04AUG04	AK



ROLLER LEVER MAY BE ADJUSTED FOR AN INFINITE NUMBER OF POSITIONS THRU 360°. ADJUSTMENT IS MADE BY LOOSENING THE LOCK NUT AND THEN THE LOCKSCREW AND TURNING GEAR UNTIL LEVER IS IN DESIRED POSITION. LOCKSCREW AND LOCK NUT ON SHAFT IS THEN TIGHTENED TO POSITIVELY LOCK LEVER IN POSITION.
LEVER ADJUSTMENT DETAIL
SCALE 2 TO 1



- NOTES**
- CORROSION RESISTANT STEEL ENCLOSURE
 - SWITCH SEALED PER MIL-PRF-8805 SYMBOL 4
 - CIRCUIT DIAGRAM, CATALOG LISTING, DATE CODE, FED. MFG. CODE AND FAA-PMA ARE SHOWN ON NAMEPLATE
 - DO NOT APPLY MORE THAN 20-25 INCH-POUNDS OF TORQUE WHEN TIGHTENING LOCKING NUT
 - SHAFT SEAL MATERIAL E.P. RUBBER
 - BASIC SWITCHES HAVE BIFURCATED GOLD CONTACTS
 - HARDWARE MAY BE PACKAGED UNASSEMBLED PER MIL-PRF-8805
 - TOTAL TRAVEL OF ROLLER LEVER IS 45° ± 3° IN CLOCKWISE DIRECTION ONLY, WITH SPRING RETURN TO NEUTRAL
 - FOR MANUFACTURING DETAIL SEE ASSEMBLY DRAWING 35EN23-4 FOR FAA-PMA

CHARACTERISTICS	ELECTRICAL DATA	
OPERATING TORQUE ----- 12-25 IN LB	CONTACT ARRANGEMENT SEE CIRCUIT DIAGRAM	
RELEASE TORQUE 9 IN LB MIN (AS ADJUSTED) 4 IN LB MIN (AFTER 25,000 OPERATIONS)	28 VDC	
PRETRAVEL	LOAD	SEA LEVEL 50,000 FT.
DIFFERENTIAL TRAVEL	RES	1.0 1.0
OVERTRAVEL	IND	0.5 0.5
FREE POSITION	MOTOR	
	LAMP	

DESIGN UNITS: INCH	DRAWN	RJH	2MAY80
TOLERANCES UNLESS NOTED:	CHECK	GLH	6MAY80
NO PLACE .X ± 0.040	THIS DRAWING COVERS A PROPRIETARY ITEM AND IS THE PROPERTY OF HONEYWELL. THIS DRAWING IS NOT TO BE COPIED OR USED WITHOUT THE PERMISSION OF HONEYWELL.		
ONE PLACE .X ± 0.030	INTERPRET PER ASME Y14.5M-1994 OTHER HONEYWELL ENGINEERING STANDARDS MAY APPLY		
TWO PLACE .XX ± 0.015	RASTER		
THREE PLACE .XXX ± 0.005	THIRD ANGLE PROJECTION		
FOUR PLACE .XXXX ± 0.0005			
ANGLES ± 2			

Honeywell			
TITLE SWITCH - ENCLOSED			
SIZE	TYPE	DRAWING NAME	REV
C	I	35EN23-4	11
SCALE	FULL	WEIGHT 14.9 OZ MAX	SHEET 1 OF 1

X-ON Electronics

Largest Supplier of Electrical and Electronic Components

Click to view similar products for [Basic / Snap Action Switches](#) category:

Click to view products by [Honeywell](#) manufacturer:

Other Similar products are found below :

[83228001](#) [01.098.1358.1](#) [602EN1-6B](#) [602EN532](#) [602EN535-RB](#) [602HE5-RB1](#) [604HE162](#) [604HE223-6B](#) [624HE17-RB](#) [6HM89](#) [6PA78-JM](#)
[6SE1](#) [6SX1-H58](#) [70500840](#) [MBD5B1](#) [MBH2731](#) [73-316-0012](#) [79211759](#) [79211923](#) [79218589](#) [7AS12](#) [ML-1155](#) [ML-1376](#) [831010C3.0](#)
[831060C3.TL](#) [831090C2.EL](#) [83131904](#) [84212012](#) [8AS239](#) [8HM73-3](#) [903VB1-PG](#) [914CE1-6G](#) [PL-100](#) [11SM1077-H4](#) [11SM1077-H58](#)
[11SM1-TN107](#) [11SM405](#) [11SM703-T](#) [11SM8423-H2](#) [11SX37-T](#) [11SX48-H58](#) [11SX55-H58](#) [11SM2442-T](#) [11SM76-T](#) [11SM77-H58](#)
[11SM77-T](#) [11SM863-T](#) [11SM866](#) [11SX47-H58](#) [A7CN-1M-1-LEFT](#)