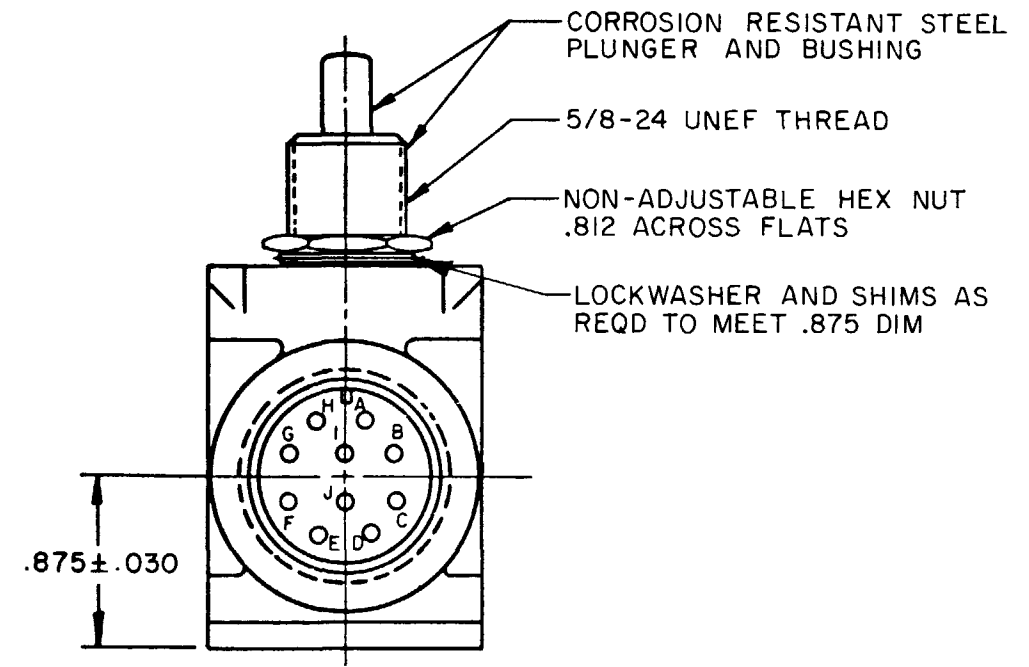
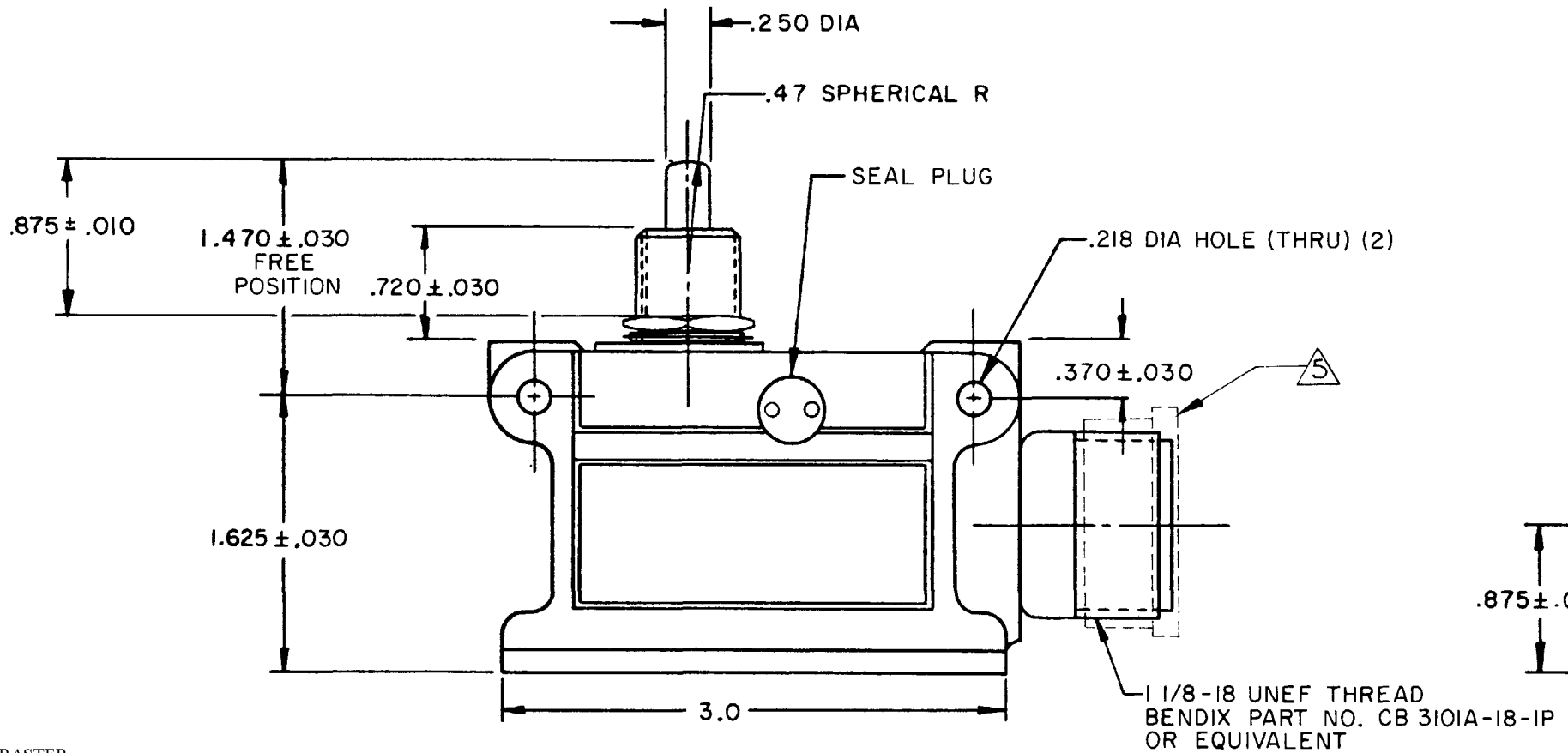
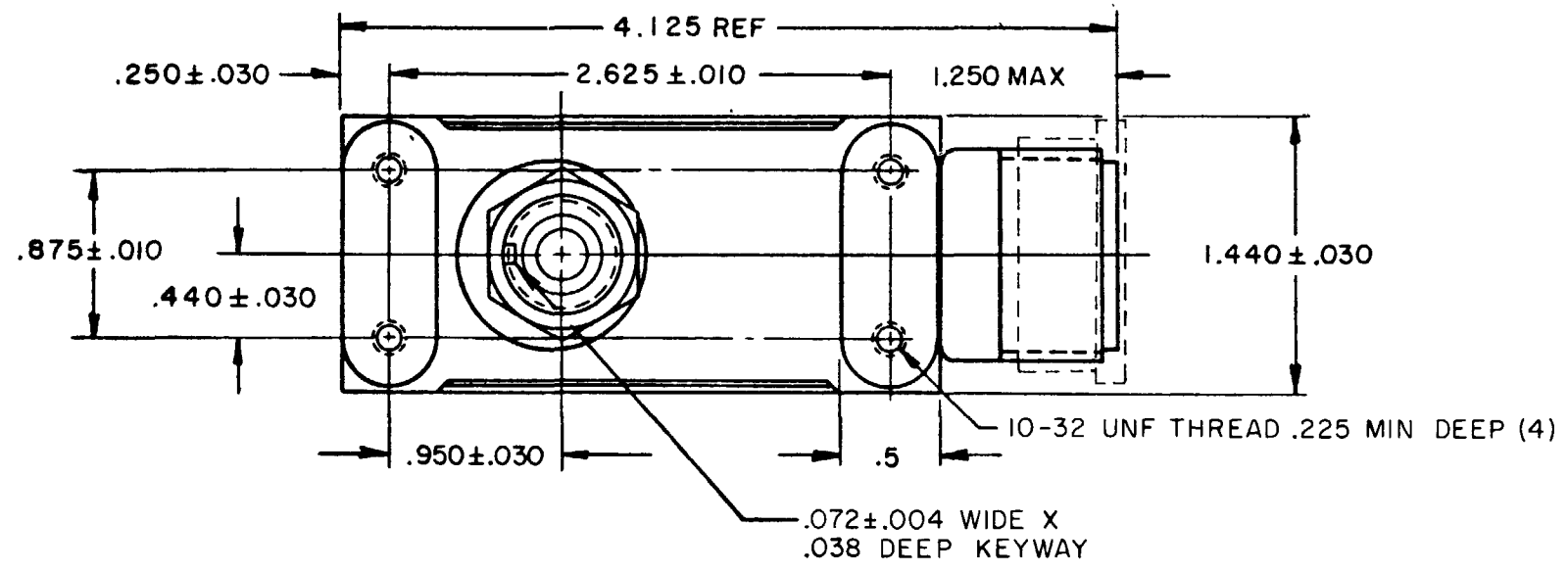
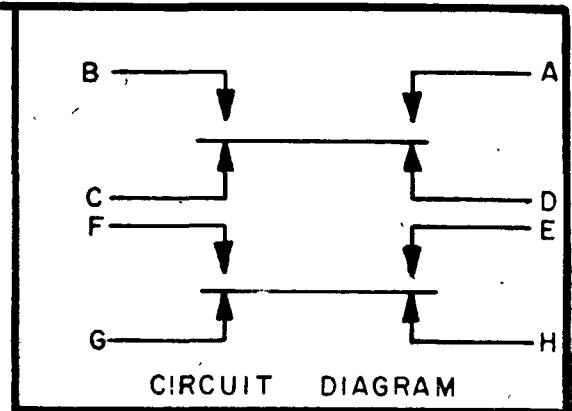


MICRO SWITCH
 FREEPORT ILLINOIS U S A
 A DIVISION OF HONEYWELL
 FED. MFG. CODE 91929

SWITCH-ENCLOSED

CATALOG LISTING
4CE8



4CE8
 M
 DRAWING NUMBER
 10
 ISSUE
 REVISIONS
 A PR-8621 16 MAY 80
 B CO-53016 23 JUN 83
 C CO 58411 15 NOV 85
 D 204537
 E 0029513 09 APR 80
 F ECO-0045107 06 NOV 88
 G J W
 DRAWN
 FO-52851-A

RELEASE NO. PR-8621
 CHECK 09 APR 07
 CHECK 15 MAY 80
 CHECK 19 MAY 80
 CHECK C E B
 CHECK G J W

THIS DRAWING COVERS A PROPRIETARY ITEM AND IS THE PROPERTY OF MICRO SWITCH, A DIVISION OF HONEYWELL. THIS DRAWING IS NOT TO BE COPIED OR USED WITHOUT THE APPROVAL OF MICRO SWITCH.		THIRD ANGLE PROJECTION	SCALE FULL																												
CHARACTERISTICS		ELECTRICAL DATA	DO NOT SCALE PRINT																												
OPERATING FORCE ----- 6-12 LB FULL OVERTRAVEL FORCE ----- 30 LB MAX RELEASE FORCE ----- 5 LB MIN PRETRAVEL ----- .070 MAX DIFFERENTIAL TRAVEL ----- .045 MAX OVERTRAVEL ----- .230 MIN		CONTACT ARRANGEMENT SEE CIRCUIT DIAGRAM 10A - 125 OR 250 VAC	TOLERANCES APPLY TO DESIGN UNITS. CONVERSIONS ARE ONLY FOR REFERENCE UNLESS NOTED. TOLERANCES ARE ± <table border="1"> <thead> <tr> <th>DIM.</th> <th>TOL.</th> <th>DIM.</th> <th>TOL.</th> </tr> <tr> <th>mm</th> <th>mm/in</th> <th>in</th> <th>mm/in</th> </tr> </thead> <tbody> <tr> <td>NO PLACES</td> <td>± .04</td> <td>± .001</td> <td>± .001</td> </tr> <tr> <td>ONE PLACE</td> <td>± .04</td> <td>± .001</td> <td>± .001</td> </tr> <tr> <td>TWO PLACES</td> <td>± .04</td> <td>± .001</td> <td>± .001</td> </tr> <tr> <td>THREE PLACES</td> <td>± .04</td> <td>± .001</td> <td>± .001</td> </tr> <tr> <td>ANGLES</td> <td>± .04</td> <td>± .001</td> <td>± .001</td> </tr> </tbody> </table>	DIM.	TOL.	DIM.	TOL.	mm	mm/in	in	mm/in	NO PLACES	± .04	± .001	± .001	ONE PLACE	± .04	± .001	± .001	TWO PLACES	± .04	± .001	± .001	THREE PLACES	± .04	± .001	± .001	ANGLES	± .04	± .001	± .001
DIM.	TOL.	DIM.	TOL.																												
mm	mm/in	in	mm/in																												
NO PLACES	± .04	± .001	± .001																												
ONE PLACE	± .04	± .001	± .001																												
TWO PLACES	± .04	± .001	± .001																												
THREE PLACES	± .04	± .001	± .001																												
ANGLES	± .04	± .001	± .001																												
RAW MATERIAL-COMMERCIAL STANDARD MICRO SWITCH STANDARDS APPLY DIMENSIONS ARE TO BE MET BEFORE PROTECTIVE COATINGS ARE APPLIED		DESIGN UNITS <input type="checkbox"/> SI METRIC <input checked="" type="checkbox"/> US CUSTOMARY	WEIGHT 12.5 OZ MAX																												

- NOTES
- ALUMINUM ALLOY ENCLOSURE ANODIZED, IMPREGNATED AND FINISHED WITH ONE COAT OF PRIMER
 - CIRCUIT IDENTIFICATION SHOWN ON HOUSING.
 - SHOCKPROOF PER MIL-S-901 GRADE 1, TYPE C, LIGHT-WEIGHT EQUIPMENT WITH NO PHYSICAL DAMAGE
 - WATERTIGHT PER MIL-STD-108, TABLE III, METHOD C, AT 1.3 PSI FOR 2 HOURS WHEN USED WITH MATING RECEPTACLE MS3106E-18-1S OR EQUIVALENT
- △ 5 FURNISHED WITH SNUG FITTING PLASTIC DUST CAP

X-ON Electronics

Largest Supplier of Electrical and Electronic Components

Click to view similar products for [Basic / Snap Action Switches](#) category:

Click to view products by [Honeywell](#) manufacturer:

Other Similar products are found below :

[83228001](#) [01.098.1358.1](#) [602EN1-6B](#) [602EN532](#) [602EN535-RB](#) [602HE5-RB1](#) [604HE162](#) [604HE223-6B](#) [624HE17-RB](#) [6HM89](#) [6PA78-JM](#)
[6SE1](#) [6SX1-H58](#) [70500840](#) [MBD5B1](#) [MBH2731](#) [73-316-0012](#) [79211759](#) [79211923](#) [79218589](#) [7AS12](#) [ML-1155](#) [ML-1376](#) [831010C3.0](#)
[831060C3.TL](#) [831090C2.EL](#) [83131904](#) [84212012](#) [8AS239](#) [8HM73-3](#) [903VB1-PG](#) [914CE1-6G](#) [PL-100](#) [11SM1077-H4](#) [11SM1077-H58](#)
[11SM1-TN107](#) [11SM405](#) [11SM703-T](#) [11SM8423-H2](#) [11SX37-T](#) [11SX48-H58](#) [11SX55-H58](#) [11SM2442-T](#) [11SM76-T](#) [11SM77-H58](#)
[11SM77-T](#) [11SM863-T](#) [11SM866](#) [11SX47-H58](#) [A7CN-1M-1-LEFT](#)