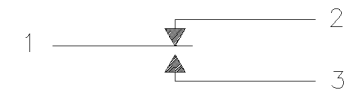


MICRO SWITCH
a Honeywell Division

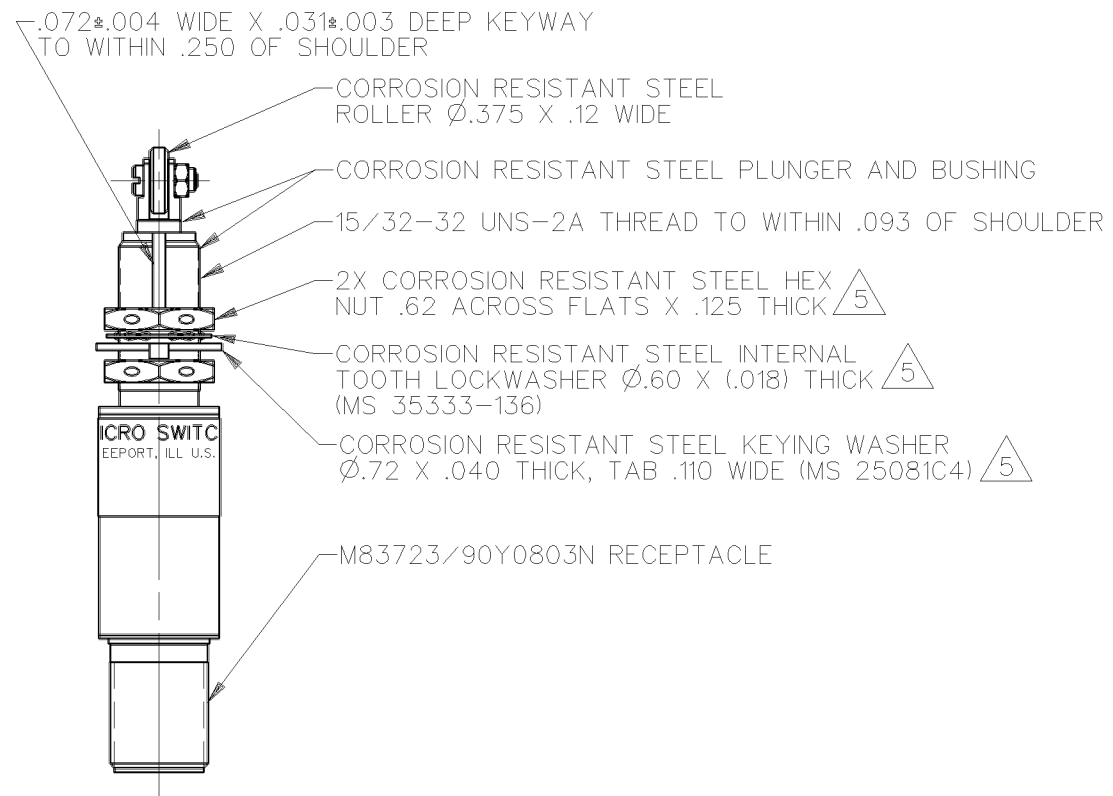
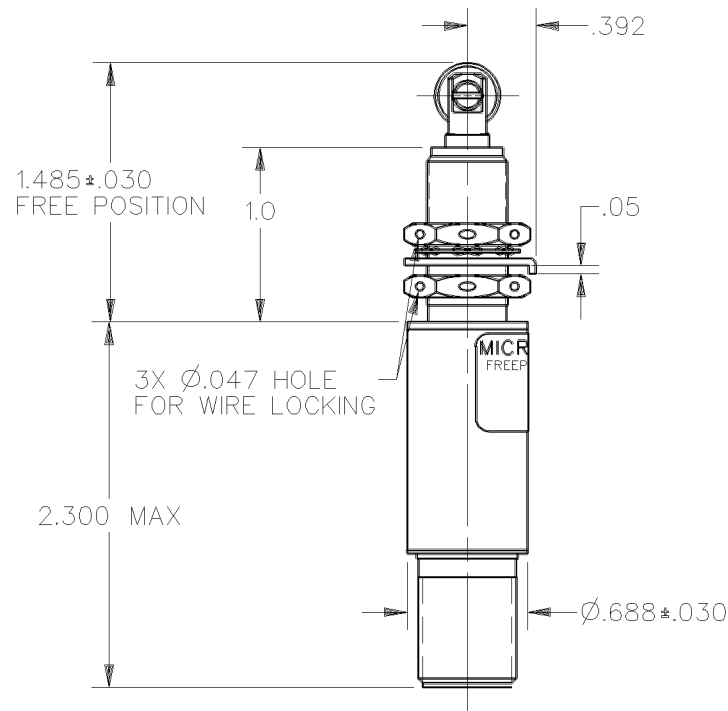
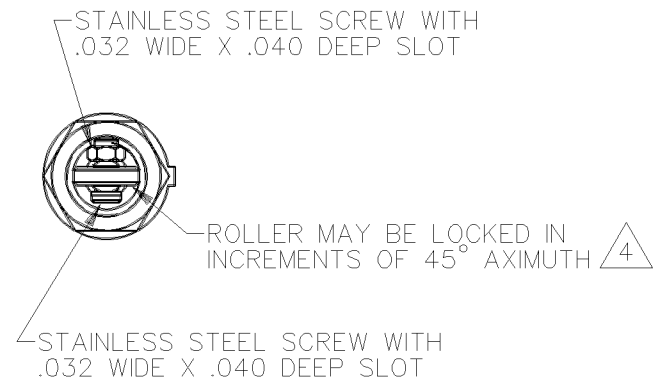
FED. MFG. CODE 91929

SWITCH-ENCLOSED

CATALOG LISTING
622EN149-RB



CIRCUIT DIAGRAM



CATALOG LISTING
622EN149-RB

PAGE 1 OF 1

REPLACES

RELEASE NO. PR-21157

ISSUE

2

CHECK

REVISIONS

A PR21157
TSM
16 JUN 94

CHECK

DDM/CAD

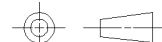
DRAWN

T S M 16 JUN 94

CHECK

THIS DRAWING COVERS A PROPRIETARY ITEM AND IS THE PROPERTY OF MICRO SWITCH, A DIVISION OF HONEYWELL. THIS DRAWING IS NOT TO BE COPIED OR USED WITHOUT THE APPROVAL OF MICRO SWITCH

THIRD ANGLE PROJECTION



SCALE FULL

DO NOT SCALE PRINT

UNLESS OTHERWISE SPECIFIED TOLERANCES ARE

ONE PLACE	(.0)	±.030
TWO PLACE	(.00)	±.015
THREE PLACE	(.000)	±.005
ANGLES		±

WEIGHT

CHARACTERISTICS	
OPERATING FORCE	6 -12 LB
FULL OVERTRAVEL FORCE	30 LB MAX
RELEASE FORCE	4 LB MIN
PRETRAVEL	.040 MAX
DIFFERENTIAL TRAVEL	.020 MAX
OVERTRAVEL	.125 MIN

ELECTRICAL DATA		
CONTACT ARRANGEMENT 2X S P D T		
28 VDC		
LOAD	SEA LEVEL	50,000 FT.
RES	7	7
IND	4	2.5
MOTOR	4	

NOTES

- 1 - CORROSION RESISTANT STEEL ENCLOSURE
- 2 - SWITCH SEALED PER MIL-S-8805 SYMBOL 4
- 3 - CIRCUIT DIAGRAM, AND CATALOG LISTING SHOWN ON NAMEPLATE
- 4 - TO ADJUST ROLLER DIRECTION, REMOVE LOCK NUT, SCREW, AND ROLLER. DEPRESS PLUNGER UNTIL IT CAN BE ROTATED TO DESIRED POSITION. RETURN PLUNGER TO FREE POSITION AND REASSEMBLE ROLLER
- 5 - HARDWARE MAY BE PACKAGED UNASSEMBLED PER MIL-S-8805

ANSI Y14.5M-1982 APPLIES

X-ON Electronics

Largest Supplier of Electrical and Electronic Components

Click to view similar products for [Limit Switches](#) category:

Click to view products by [Honeywell](#) manufacturer:

Other Similar products are found below :

[6LS2-4PG](#) [5ML1-E1](#) [5ML31](#) [LZG1](#) [LZL1-6C](#) [622EN114-R](#) [622EN18-6](#) [622EN224-6B](#) [622EN230](#) [622EN237-R](#) [622EN69-3](#) [622EN85-RB](#)
[MA-10019](#) [6PA109](#) [7LS51](#) [83547001](#) [83725002](#) [83830001](#) [83840001](#) [83840701](#) [83841001](#) [83870104](#) [83881140](#) [8AS42](#) [8LS10](#) [8LS125-](#)
[4PG](#) [8LS152-4PGN20](#) [914CE16-3A](#) [914CE16-AQ](#) [914CE3-3L1](#) [915PA10](#) [91MCE16-P2O](#) [924CE16-Y3](#) [924CE1-S6](#) [924CE1-T25A](#)
[924CE1-T3](#) [924CE1-T9A](#) [924CE2-T9](#) [924CE31-Y20-X5](#) [924CE31-Y3L1](#) [GL-10054](#) [GL-85710](#) [GL-85714](#) [GLAB26J2B](#) [GLDB03C-6](#)
[GLZ324](#) [PS21R-NT11N7-YK0](#) [D4A-1106N](#) [D4A1201N](#) [D4A-3E02N](#)