

**MICRO SWITCH**  
a Honeywell Division

FED. MFG. CODE 91929

**SWITCH-ENCLOSED**

CATALOG LISTING  
**622EN227-6B**

CATALOG LISTING  
**622EN227-6B**

PAGE 1 OF 1

ISSUE  
**M**  
3

CHECK

REVISIONS  
A PR22884  
TSM  
13 JUL 97  
B C093910  
J A F  
16 DEC 98

CHECK

14 JUL 97

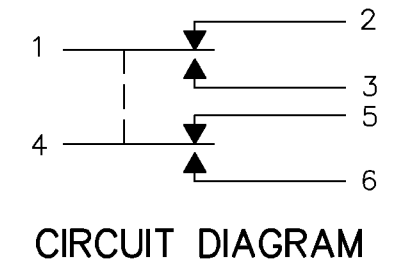
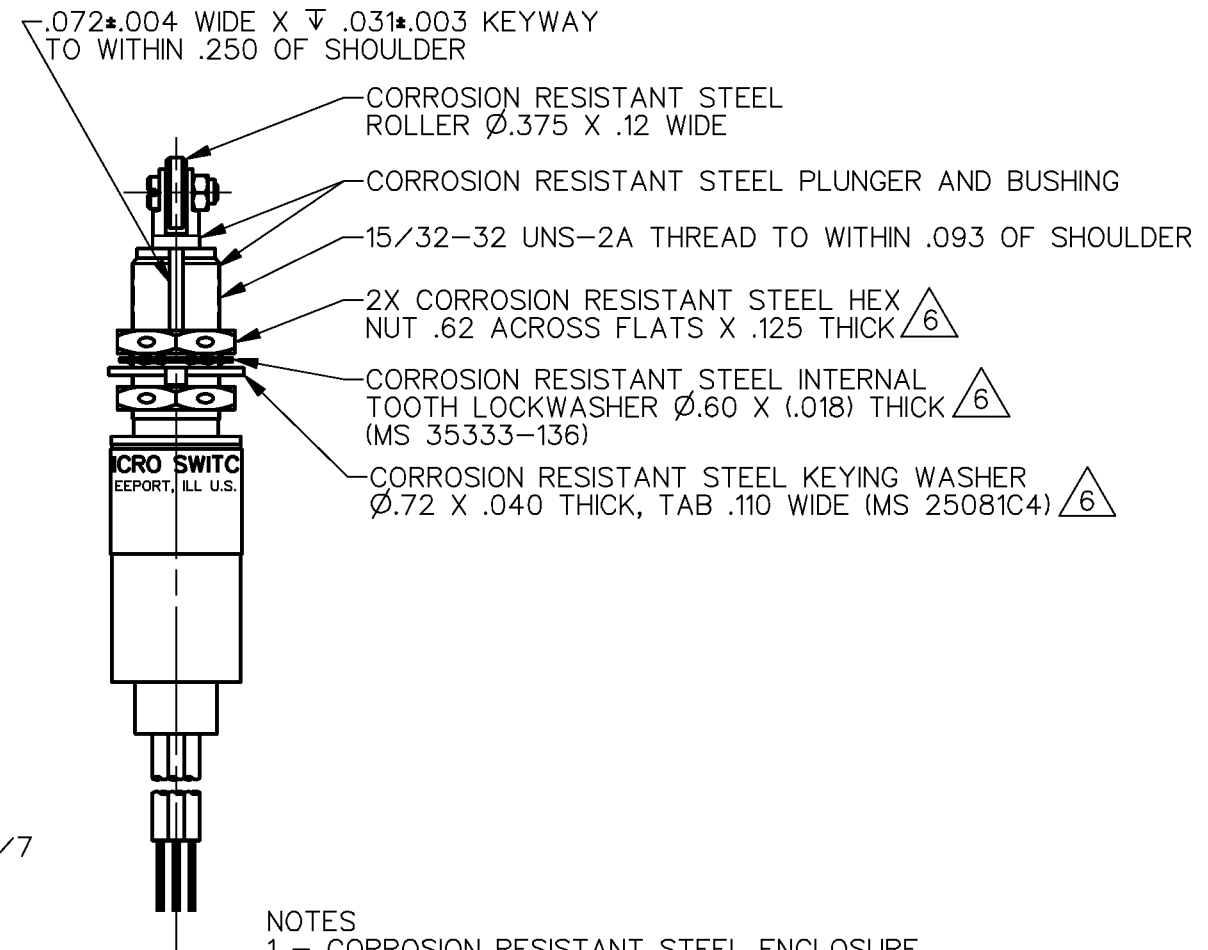
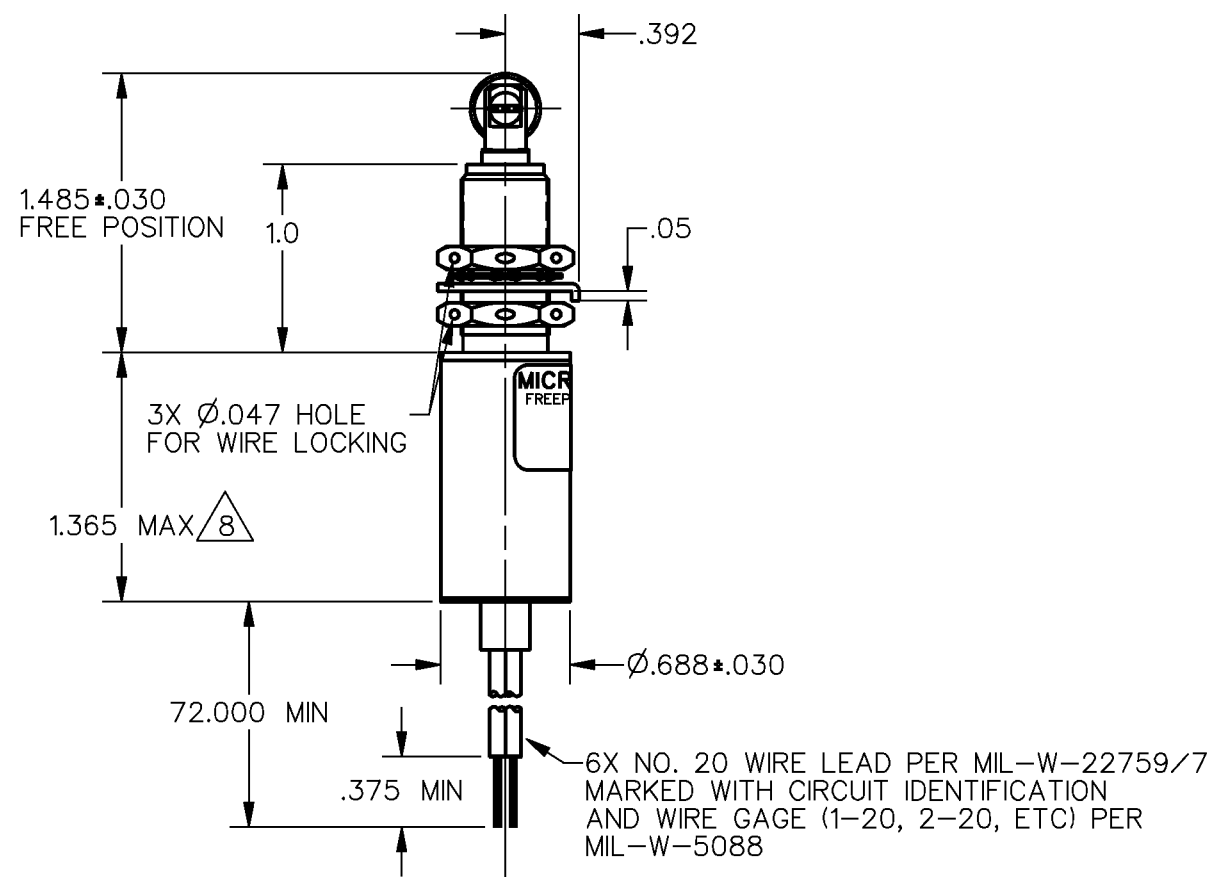
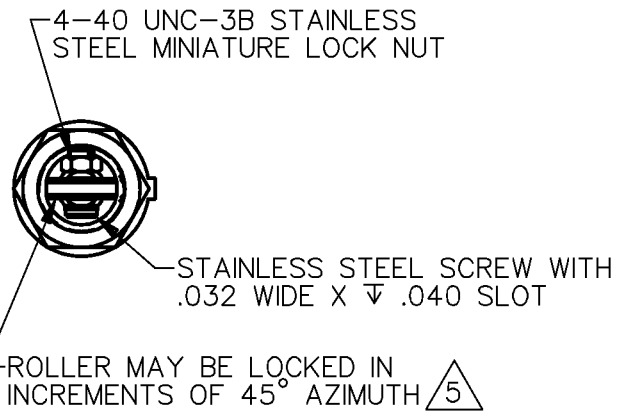
S A V

CHECK

13 JUL 97

DDM/CAD  
DRAWN

RELEASE NO. PR-22884 REPLACES



- NOTES
- 1 - CORROSION RESISTANT STEEL ENCLOSURE
  - 2 - SWITCH SEALED PER MIL-S-8805 SYMBOL 4
  - 3 - COINCIDENCE OF OPERATING AND RELEASING POINTS: .010 OF PLUNGER TRAVEL
  - 4 - CIRCUIT DIAGRAM, DATE CODE, FED. MFG. CODE AND CATALOG LISTING SHOWN ON NAMEPLATE
  - $\triangle 5$  TO ADJUST ROLLER DIRECTION, REMOVE LOCK NUT, SCREW, AND ROLLER. DEPRESS PLUNGER UNTIL IT CAN BE ROTATED TO DESIRED POSITION. RETURN PLUNGER TO FREE POSITION AND REASSEMBLE ROLLER
  - $\triangle 6$  HARDWARE MAY BE PACKAGED UNASSEMBLED PER MIL-S-8805
  - $\triangle 7$  BIFURCATED GOLD CONTACT BASIC SWITCHES
  - $\triangle 8$  THIS DIMENSION EXCLUDES THE POTTING MATERIAL ON THE BOTTOM OF THE SWITCH

THIS DRAWING COVERS A PROPRIETARY ITEM AND IS THE PROPERTY OF MICRO SWITCH, A DIVISION OF HONEYWELL. THIS DRAWING IS NOT TO BE COPIED OR USED WITHOUT THE APPROVAL OF MICRO SWITCH		THIRD ANGLE PROJECTION	
<b>CHARACTERISTICS</b>		<b>ELECTRICAL DATA</b>	
OPERATING FORCE ----- 6 -12 LB		CONTACT ARRANGEMENT	
FULL OVERTRAVEL FORCE---- 30 LB MAX		2X S P D T $\triangle 7$	
RELEASE FORCE ----- 4 LB MIN		28 VDC	
PRETRAVEL ----- .040 MAX		SEA LEVEL	
DIFFERENTIAL TRAVEL ----- .020 MAX		50,000 FT.	
OVERTRAVEL ----- .125 MIN		LOAD	IND
		RES	IND
		1	0.5
		1	0.5
		WEIGHT	

SCALE FULL
DO NOT SCALE PRINT
UNLESS OTHERWISE SPECIFIED TOLERANCES ARE
ONE PLACE (.0) $\pm$ .030
TWO PLACE (.00) $\pm$ .015
THREE PLACE (.000) $\pm$ .005
ANGLES $\pm$

ANSI Y14.5M-1982 APPLIES

## X-ON Electronics

Largest Supplier of Electrical and Electronic Components

*Click to view similar products for [Limit Switches](#) category:*

*Click to view products by [Honeywell](#) manufacturer:*

Other Similar products are found below :

[6LS2-4PG](#) [5ML1-E1](#) [5ML31](#) [LZG1](#) [LZL1-6C](#) [622EN114-R](#) [622EN18-6](#) [622EN224-6B](#) [622EN230](#) [622EN237-R](#) [622EN69-3](#) [622EN85-RB](#)  
[MA-10019](#) [6PA109](#) [7LS51](#) [83547001](#) [83725002](#) [83830001](#) [83840001](#) [83840701](#) [83841001](#) [83870104](#) [83881140](#) [8AS42](#) [8LS10](#) [8LS125-](#)  
[4PG](#) [8LS152-4PGN20](#) [914CE16-3A](#) [914CE16-AQ](#) [914CE3-3L1](#) [915PA10](#) [91MCE16-P2O](#) [924CE16-Y3](#) [924CE1-S6](#) [924CE1-T25A](#)  
[924CE1-T3](#) [924CE1-T9A](#) [924CE2-T9](#) [924CE31-Y20-X5](#) [924CE31-Y3L1](#) [GL-10054](#) [GL-85710](#) [GL-85714](#) [GLAB26J2B](#) [GLDB03C-6](#)  
[GLZ324](#) [PS21R-NT11N7-YK0](#) [D4A-1106N](#) [D4A1201N](#) [D4A-3E02N](#)