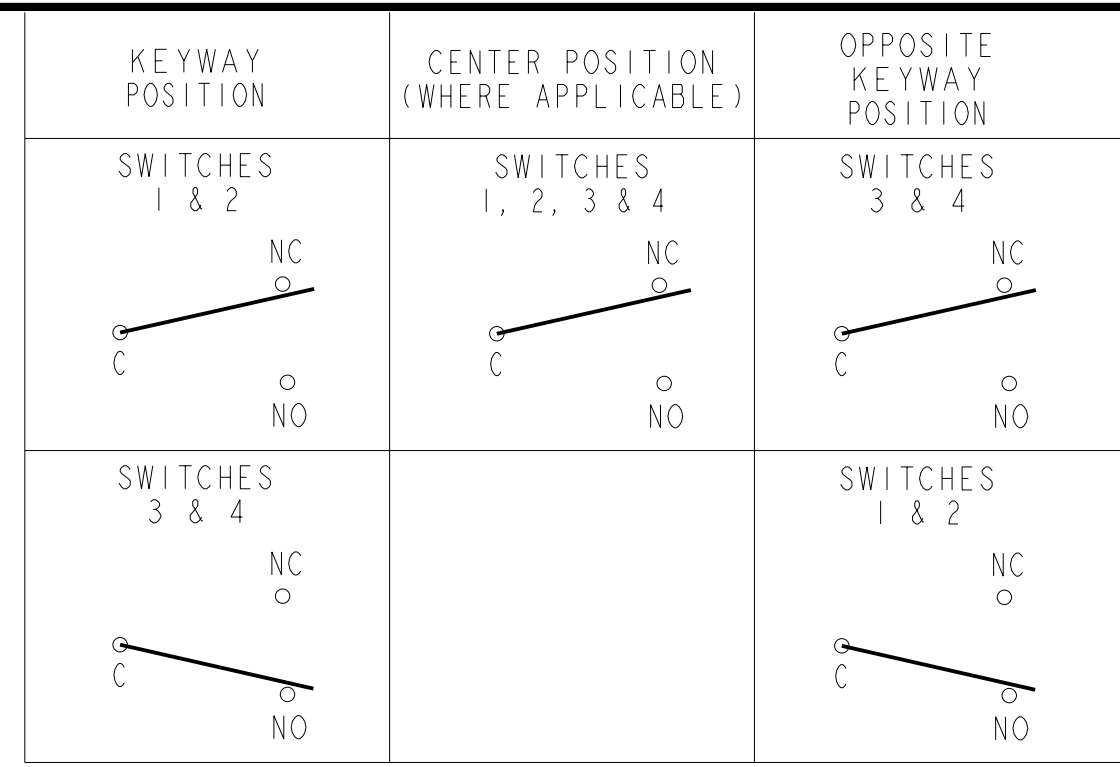


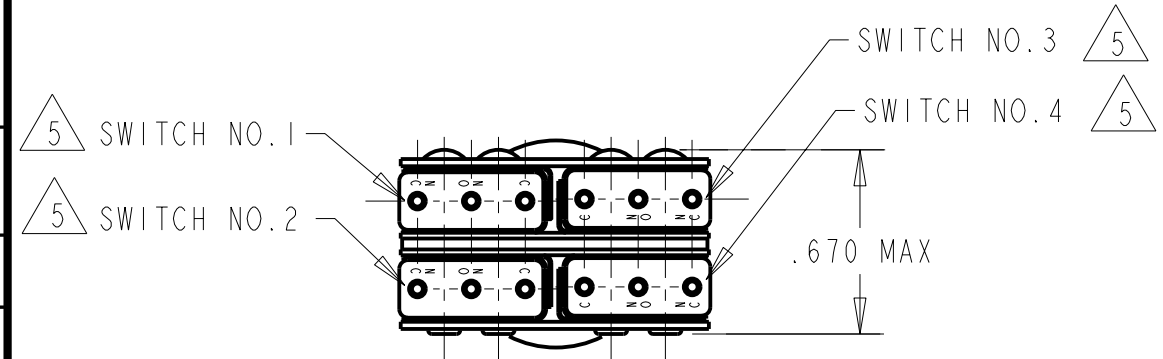
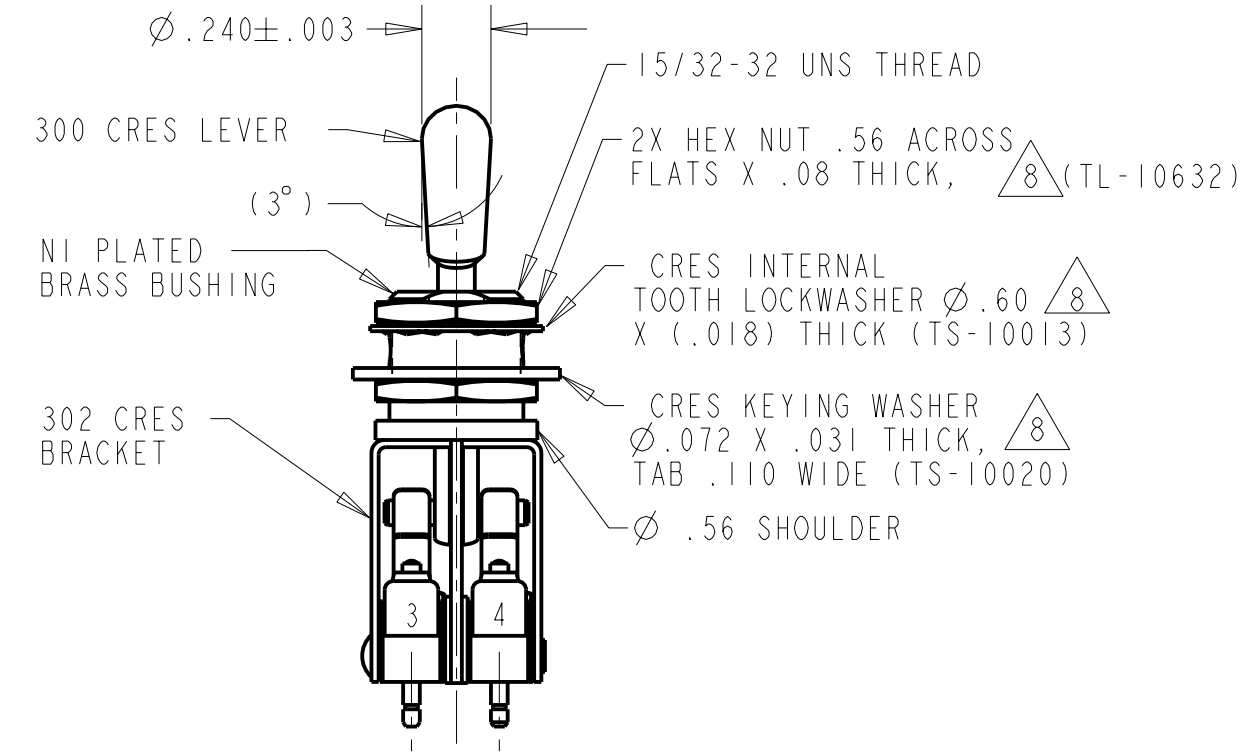
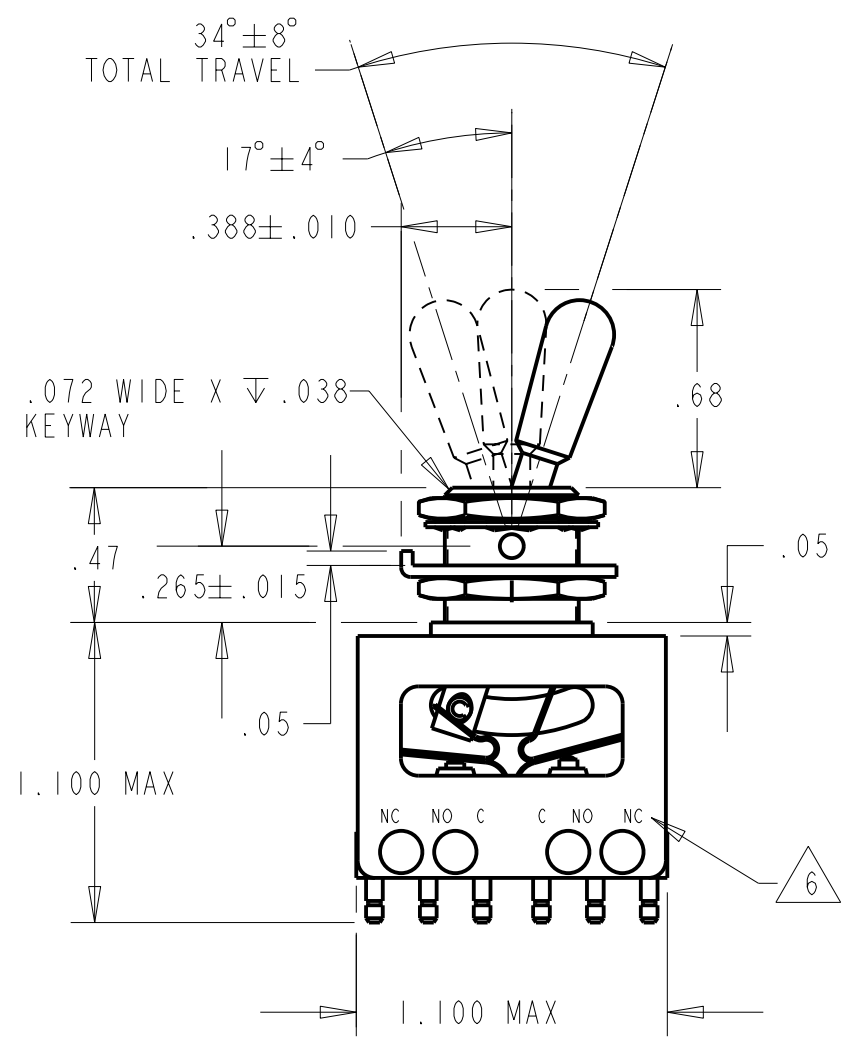
**M 64AT43 SERIES CHART 1**

CATALOG LISTING	KEYWAY POSITION		CENTER POSITION		OPPOSITE KEYWAY POSITION	
	C-NO	C-NC	C-NO	C-NC	C-NO	C-NC
64AT43-1	3,4	1,2	NONE	ALL	1,2	3,4
64AT43-3	3,4	1,2	N/A	N/A	1,2	3,4
64AT43-5	3,4*	1,2*	NONE	ALL	1,2	3,4
64AT43-7	3,4*	1,2*	NONE	ALL	1,2*	3,4*
64AT43-514	3,4	1,2	NONE	ALL	1,2*	3,4*

\* ASTERISK DENOTES MOMENTARY POSITION



SPECIFICATION DETAILS:			
STANDARD:		BASIC SWITCHES CONFORM TO (MIL-PRF-8805/98) EXCEPT AS NOTED	
CONSTRUCTION:		UNSEALED	
ENCLOSURE DESIGN		GOLD BIFURCATED CONTACTS	
CONTACT MATERIAL & CONFIGURATION		4X S.P.D.T.	
CIRCUIT CONFIGURATION		H58 TYPE TERMINALS/CONNECTOR	
TERMINATION		.075 LBS MAX	
WEIGHT			
ELECTRICAL CHARACTERISTICS:			
ELECTRICAL RATINGS (MAX LOAD)		VOLTAGE	INDUCTIVE RESISTIVE
-SEA LEVEL		28 VDC	.010 AMP .010 AMP
-50,000 FEET		28 VDC	.010 AMP .010 AMP
DIELECTRIC STRENGTH & INSULATION RES (BASIC SWITCH)		DIELECTRIC STRENGTH	INSULATION RESISTANCE
-BETWEEN TERMINALS AND EXPOSED NON-CURRENT CARRYING METAL		≈ 60 Hz FOR 5 SEC	(500 VDC ±10%)##
-BETWEEN TERMINALS OF MUTUALLY INSULATED CIRCUITS		(SL)1000V RMS, 500 A (MAX LKG) (50,000 FT) 400VRMS#	1000 MEGAOHM MIN
-BETWEEN ALL UNCONNECTED TERMINALS OF THE SAME POLE		(SL)1000V RMS, 500 A (MAX LKG) (50,000 FT) 400VRMS#	1000 MEGAOHM MIN
SWITCH RESISTANCE		N/A	
RECOMMENDATION OR USE IN APPL LESS THAN .5 amps AND/OR 12 volts		ACCEPTABLE	
MECHANICAL CHARACTERISTICS:			
OPERATING FORCE		1.0-5.0 LB (APPLIED .125±.030 FROM END OF LEVER)	
MOUNTING STRENGTH		25 IN-LBS MAX PER MIL-PRF-8805D	
ACTUATOR STRENGTH		25 LBS MAX PER MIL-PRF-8805D	
LIFE:			
MECHANICAL LIFE		100,000 MIN PER MIL-PRF-8805D	
ELECTRICAL LIFE AT FULL RATED LOAD		25,000 MIN PER MIL-PRF-8805D	
ENVIRONMENTAL:			
TEMPERATURE RANGE		-55° C TO +85° C	
ALTITUDE RANGE		SEA LEVEL TO 50,000 FT	
SHOCK		PER MIL-PRF-8805 (SYMBOL M - 100g)	
VIBRATION		PER MIL-PRF-8805 (SYMBOL 2,10-2000 Hz & 15g PEAK)	
MOISTURE RESISTANCE		PER MIL-PRF-8805, (10 DAY TEST)	
THERMAL SHOCK		PER MIL-PRF-8805, (5 CYCLE TEST)	
SALT SPRAY		PER MIL-PRF-8805, (96 HOUR TEST)	



- NOTES
- UNIT INCLUDED 4X "12SX" TYPE BASIC SWITCH
  - SWITCHES DO NOT NECESSARILY OPERATE SIMULTANEOUSLY
  - PLATED TERMINALS WILL ACCEPT "AMP INC." Ø.058 PIN RECEPTACLES
  - DULL FINISH ON LEVER AND BUSHING
  - SWITCH NUMBERS MARKED ON END OF BASIC SWITCHES
  - TERMINALS DESIGNATION MARKED ON BOTH SIDES OF UNIT
  - NOT APPLICABLE, TWO POSITION SWITCH
  - HARDWARE FURNISHED ASSEMBLED WITH SWITCH OR IN PACKET 15PA313-AT PER MIL-PRF-8805
  - REPLACEMENT MOUNTING HARDWARE PACKET 15PA313-AT

64AT43 SERIES CHART 1  
 DRAWING NUMBER  
 ISSUE  
 P.T.C./CAD [20]  
 DRAWN  
 JILH  
 CHECK  
 I1SEPO1  
 SAV  
 CHECK  
 I1SEPO1  
 RELEASE NO. PR-23108  
 PAGE 1 OF 1  
 REPLACES

THIS DRAWING COVERS A PROPRIETARY ITEM AND IS THE PROPERTY OF MICRO SWITCH, A DIVISION OF HONEYWELL. THIS DRAWING IS NOT TO BE COPIED OR USED WITHOUT THE APPROVAL OF MICRO SWITCH.

**MICRO SWITCH**  
a Honeywell Division

**ASSEMBLY-TOGGLE SWITCH**

CATALOG LISTING  
**64AT43 SERIES CHART 1**

ANSI Y14.5M-1982 APPLIES  
FED. MFG. CODE 91929

THIRD ANGLE PROJECTION		
SCALE 1.5 : 1		
DO NOT SCALE PRINT		
UNLESS OTHERWISE SPECIFIED TOLERANCES ARE		
ONE PLACE	(.0)	±.030
TWO PLACES	(.00)	±.015
THREE PLACES	(.000)	±.005
ANGLES		±
WEIGHT		

## X-ON Electronics

Largest Supplier of Electrical and Electronic Components

*Click to view similar products for [Toggle Switches](#) category:*

*Click to view products by [Honeywell](#) manufacturer:*

Other Similar products are found below :

[8A1-C-222](#) [60012L](#) [6006L](#) [6663](#) [7101MD9V30GE](#) [7101SPDV30BE](#) [7103SDV30BE](#) [7105D](#) [7108P3YAV2BE](#) [71YY50282](#)  
[7201MD9AVBE](#) [7301K38](#) [7306K36](#) [7310K36](#) [7314K36](#) [7506K4](#) [7592K6](#) [7691K14](#) [7700K1](#) [8396K108](#) [8824K14](#) [8828K13](#) [G2VX](#) [G3VX](#)  
[PS83-121G](#) [A101MD9AB04](#) [A101SD9AB04](#) [A101SDCQ04](#) [A103SD9AQ04](#) [A107TZB04](#) [A123P32YZQ](#) [A123S1YZG](#) [A127S1YCQ](#) [1-](#)  
[1825192-0](#) [A131S1YZQ](#) [A201SCWZB04](#) [A207SYCB04](#) [A208J61ZQ0004](#) [A221K12KAG](#) [A221S1YZQ](#) [A221T1TCQ](#) [A232K12KZQ](#)  
[A232M1YCQ](#) [A323S1CWZQ](#) [A423S1CWZG-M8](#) [A423S1YZQ](#) [12149A-3V](#) [12156AX408](#) [12147AGKX679](#) [12149AD2G0383VX408](#)