

66AT300 SERIES CHART 2
 PAGE 1 OF 1
 DRAWING NUMBER **M**
 ISSUE **8**
 REVISIONS:
 A PR 10672 WJM 29 OCT 81
 B C050567 J A P 30 DEC 81
 C CO 50845 S L B 28 JAN 82
 D CO 58771 K A G 14 FEB 86
 E C072702 L J F 7 JUN 92
 F C092352 D L T 23 JUN 99
 G 205502 G J W 2 MAY 02
 WJM 29 OCT 81
 FO-3281-A
 RASTER

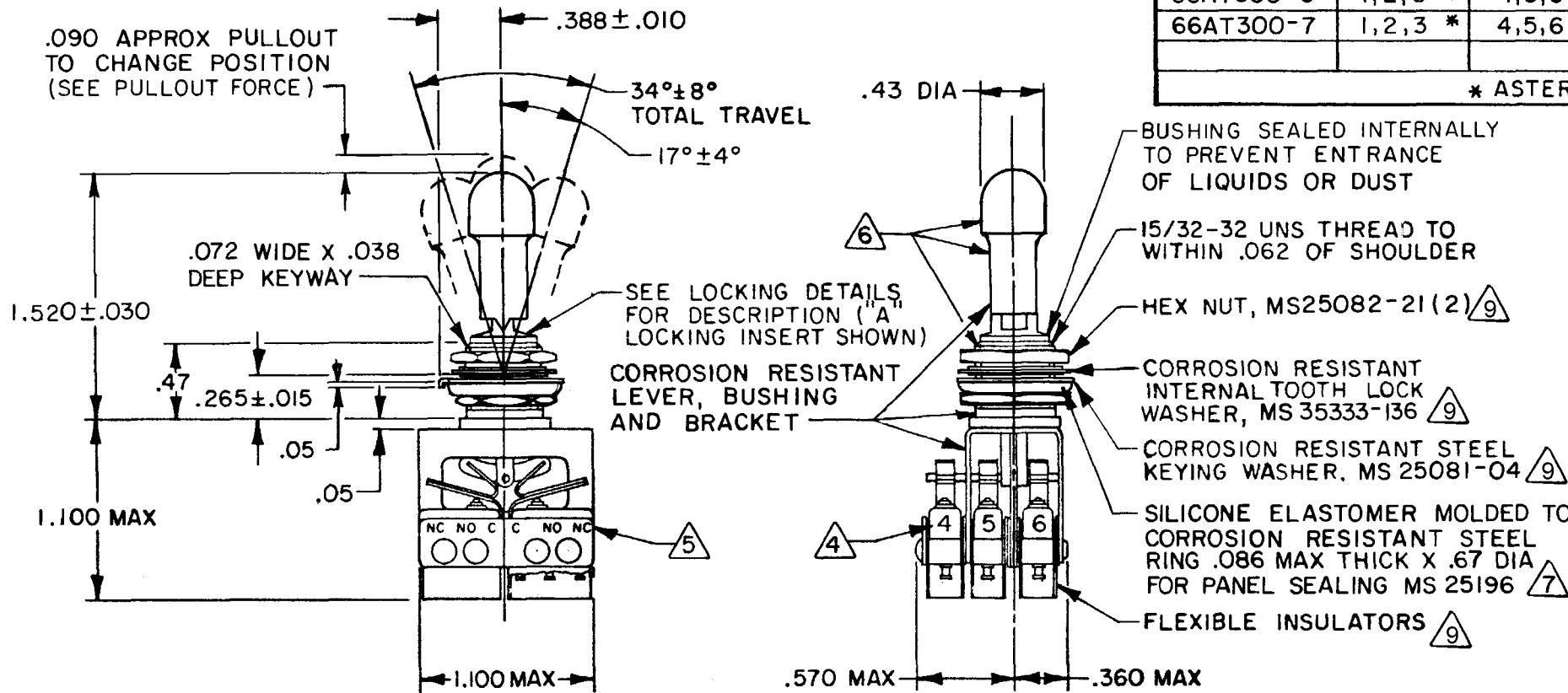
MICRO SWITCH
 FREEPORT ILLINOIS U S A
 A DIVISION OF HONEYWELL
 FED. MFG. CODE 91929

ASSEMBLY - TOGGLE SWITCH

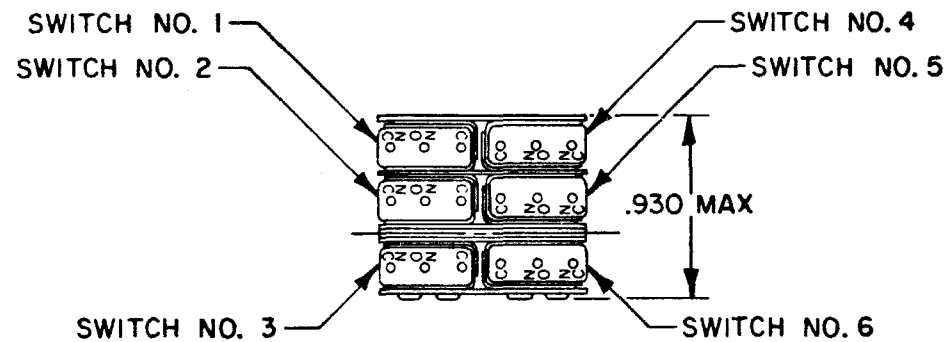
CATALOG LISTING
66AT300 SERIES
CHART 2

CATALOG LISTING ⁸	KEYWAY POSITION		CENTER POSITION		OPPOSITE KEYWAY POSITION		RECOMMENDED LOCKING COMBINATIONS
	C-NC	C-NO	C-NO	C-NC	C-NC	C-NO	
66AT300-1	1,2,3	4,5,6	NONE	ALL	4,5,6	1,2,3	A,B,D,E,F,G,H,J,K,L,M,NP
66AT300-3	1,2,3	4,5,6	NONE	NONE	4,5,6	1,2,3	D,F,G
66AT300-5	1,2,3 *	4,5,6 *	NONE	ALL	4,5,6	1,2,3	E,F,K,L,M,N
66AT300-7	1,2,3 *	4,5,6 *	NONE	ALL	4,5,6 *	1,2,3 *	E,L,N

* ASTERISK DENOTES MOMENTARY POSITION

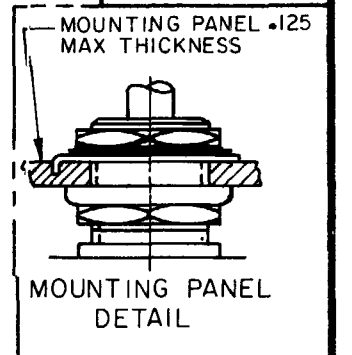


"A" LOCKED IN THREE POSITIONS	"B" LOCKED IN CENTER AND EXTREME POSITION (KEYWAY SIDE)	"D" LOCKED OUT OF CENTER POSITION	"E" LOCKED IN CENTER POSITION
"F" LOCKED IN EXTREME POSITION (OPPOSITE KEYWAY)	"G" LOCKED IN EXTREME POSITION (KEYWAY SIDE)	"H" LOCKED OUT OF CENTER AND EXTREME POSITION (KEYWAY SIDE)	"J" LOCKED OUT OF CENTER AND EXTREME POSITION (OPPOSITE KEYWAY)
"K" LOCKED IN CENTER AND EXTREME POSITION (OPPOSITE KEYWAY)	"L" LOCKED OUT OF EXTREME POSITION (KEYWAY SIDE)	"M" LOCKED OUT OF AND INTO EXTREME POSITION (OPPOSITE KEYWAY)	"N" LOCKED OUT OF EXTREME POSITION (OPPOSITE KEYWAY)
			"P" LOCKED OUT OF AND INTO EXTREME POSITION (KEYWAY SIDE)



NOTES

- 1 - UNIT INCLUDES "SX" TYPE BASIC SWITCH (6) (MEETS REQUIREMENTS OF MIL-PRF-8805/4)
- 2 - SWITCHES DO NOT NECESSARILY OPERATE SIMULTANEOUSLY
- 3 - TERMINALS ARE PLATED FOR SOLDERING
- 4 SWITCH NUMBERS MARKED ON END OF BASIC SWITCHES
- 5 TERMINAL DESIGNATION MARKED ON BOTH SIDES OF UNIT
- 6 DULL FINISH ON BUTTON, LEVER, AND BUSHING
- 7 FOR PANEL SEAL TO BE EFFECTIVE MOUNTING HOLE IN PANEL SHOULD NOT EXCEED .500 DIA
- 8 SUFFIX LETTER MUST BE ADDED FOR DESIRED TYPE TOGGLE LOCKING (SEE CHART FOR RECOMMENDED LOCKING COMBINATIONS)
- 9 HARDWARE FURNISHED ASSEMBLED WITH SWITCH OR IN PACKET PER MIL-PRF-8805
- 10 - REPLACEMENT MOUNTING HARDWARE PACKET 15PA314-AT



THIS DRAWING COVERS A PROPRIETARY ITEM AND IS THE PROPERTY OF MICRO SWITCH, A DIVISION OF HONEYWELL. THIS DRAWING IS NOT TO BE COPIED OR USED WITHOUT THE APPROVAL OF MICRO SWITCH.

THIRD ANGLE PROJECTION

SCALE FULL

DO NOT SCALE PRINT

CHARACTERISTICS

PULLOUT FORCE - 3 LB MIN - 5 LB MAX

ELECTRICAL DATA

CONTACT ARRANGEMENT
 SPDT (6)

TOLERANCES
 APPLY TO DESIGN UNITS. CONVERSIONS ARE ONLY FOR REFERENCE. UNLESS NOTED, TOLERANCES ARE:

DIM.	TOL.	DIM.	TOL.
mm	mm/in	in	mm/in
NO PLACES	X	1/64	
ONE PLACE	X, X	0.4/016	X, X
TWO PLACES	X, XX	0.15/006	X, XX
THREE PLACES			X, XXX
ANGLES			

DESIGN UNITS METRIC US CUSTOMARY

RAW MATERIAL - COMMERCIAL STANDARD MICRO SWITCH STANDARDS APPLY

DIMENSIONS ARE TO BE MET BEFORE PROTECTIVE COATINGS ARE APPLIED

WEIGHT .09 LB EST

ELECTRICAL RATINGS

LOAD	SEA LEVEL		50,000 FT
	28 Vdc (AMPERES)	115 Vac, 60 Hz (AMPERES)	28 Vdc (AMPERES)
RESISTIVE	7	7	4
INDUCTIVE	4	7	2.5

X-ON Electronics

Largest Supplier of Electrical and Electronic Components

Click to view similar products for [Toggle Switches](#) category:

Click to view products by [Honeywell](#) manufacturer:

Other Similar products are found below :

[8A1-C-222](#) [60012L](#) [6006L](#) [6663](#) [7101MD9V30GE](#) [7101SPDV30BE](#) [7103SDV30BE](#) [7105D](#) [7108P3YAV2BE](#) [71YY50282](#)
[7201MD9AVBE](#) [7301K38](#) [7306K36](#) [7310K36](#) [7314K36](#) [7506K4](#) [7592K6](#) [7691K14](#) [7700K1](#) [8396K108](#) [8824K14](#) [8828K13](#) [G2VX](#) [G3VX](#)
[PS83-121G](#) [A101MD9AB04](#) [A101SD9AB04](#) [A101SDCQ04](#) [A103SD9AQ04](#) [A107TZB04](#) [A123P32YZQ](#) [A123S1YZG](#) [A127S1YCQ](#) [1-](#)
[1825192-0](#) [A131S1YZQ](#) [A201SCWZB04](#) [A207SYCB04](#) [A208J61ZQ0004](#) [A221K12KAG](#) [A221S1YZQ](#) [A221T1TCQ](#) [A232K12KZQ](#)
[A232M1YCQ](#) [A323S1CWZQ](#) [A423S1CWZG-M8](#) [A423S1YZQ](#) [12149A-3V](#) [12156AX408](#) [12147AGKX679](#) [12149AD2G0383VX408](#)