

MICROSWITCH
a Honeywell Division
FED. MFG. CODE 91929

**ASSEMBLY-
TOGGLE SWITCH 68AT303 SERIES CHART 2
CHART 2**

CATALOG LISTING

CATALOG LISTING

KEYWAY POSITION

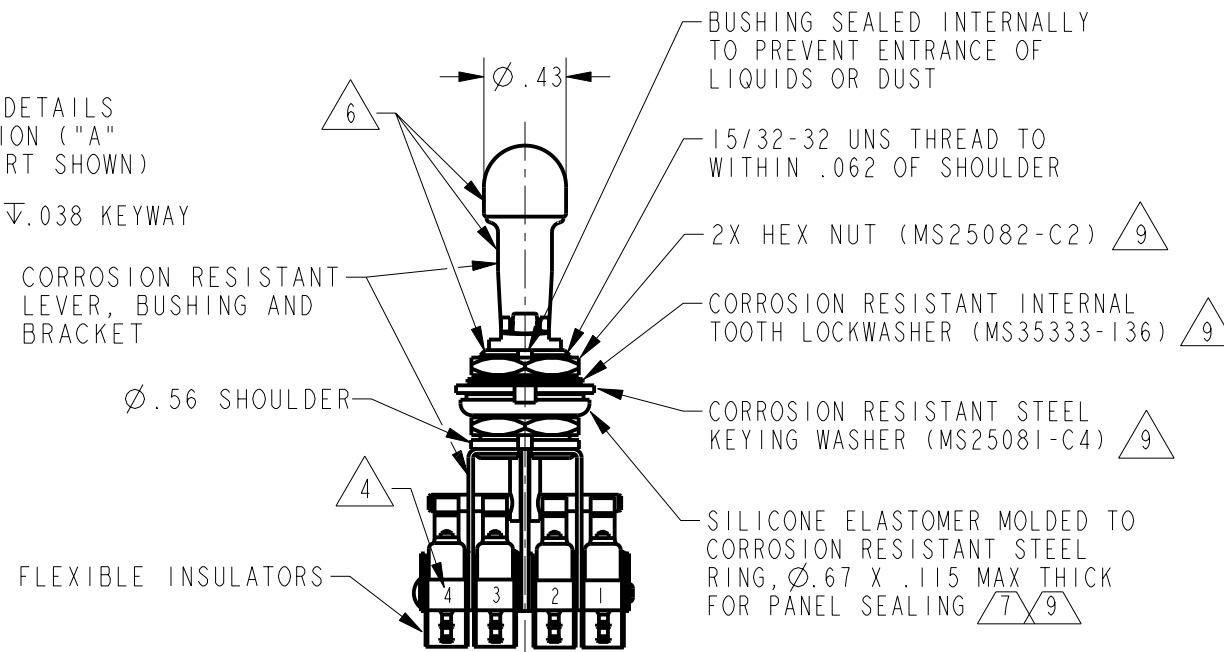
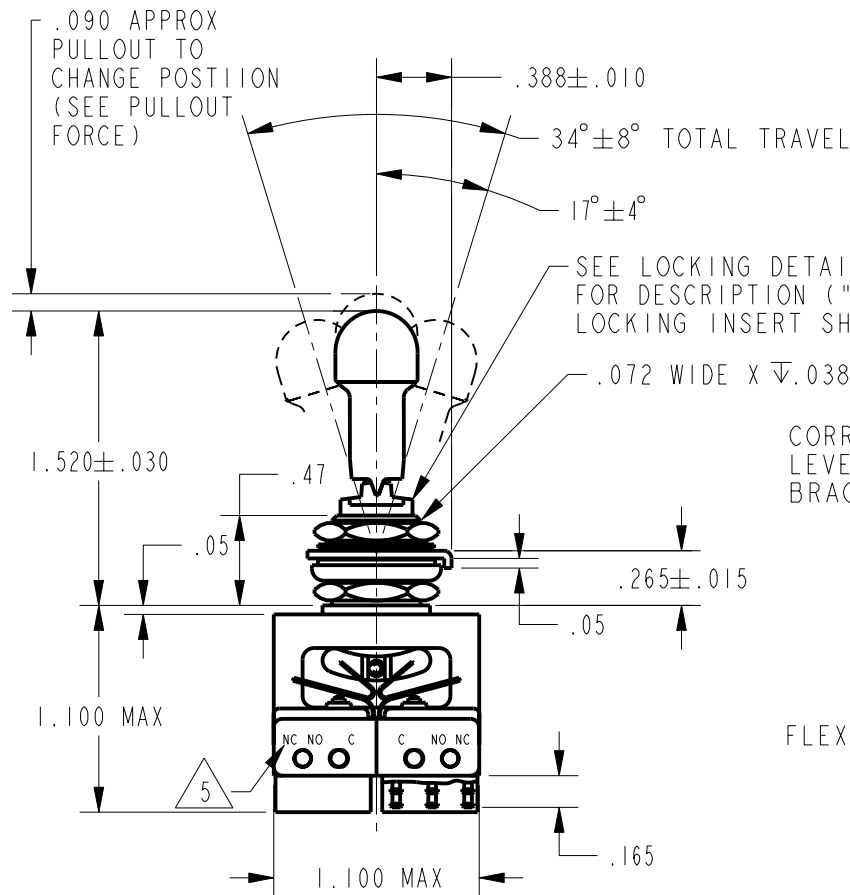
CENTER POSITION

OPPOSITE KEYWAY POSITION

RECOMMENDED LOCKING COMBINATIONS

CATALOG LISTING	KEYWAY POSITION		CENTER POSITION		OPPOSITE KEYWAY POSITION		RECOMMENDED LOCKING COMBINATIONS
	C - NC	C - NO	C - NO	C - NC	C - NC	C - NO	
68AT303-1	1, 2, 3, 4	5, 6, 7, 8	NONE	ALL	5, 6, 7, 8	1, 2, 3, 4	A,B,D,E,F,G,H,J,K,L,M,N,P
68AT303-3	1, 2, 3, 4	5, 6, 7, 8	NONE	NONE	5, 6, 7, 8	1, 2, 3, 4	D,F,G
68AT303-5	1, 2, 3, 4*	5, 6, 7, 8*	NONE	ALL	5, 6, 7, 8	1, 2, 3, 4	E,F,K,L,M,N
(A)	1, 2, 3, 4*	5, 6, 7, 8*	NONE	ALL	5, 6, 7, 8*	1, 2, 3, 4*	E,L,N

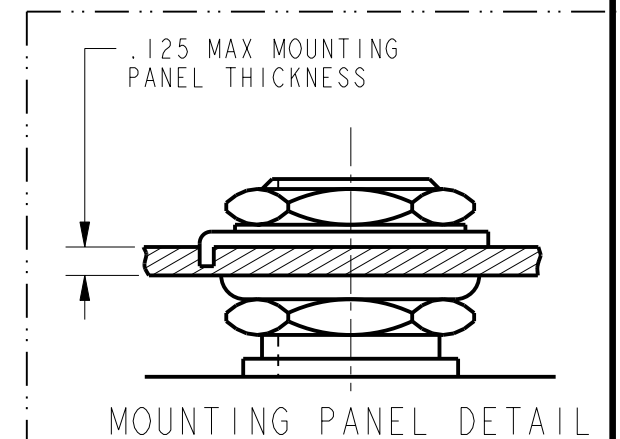
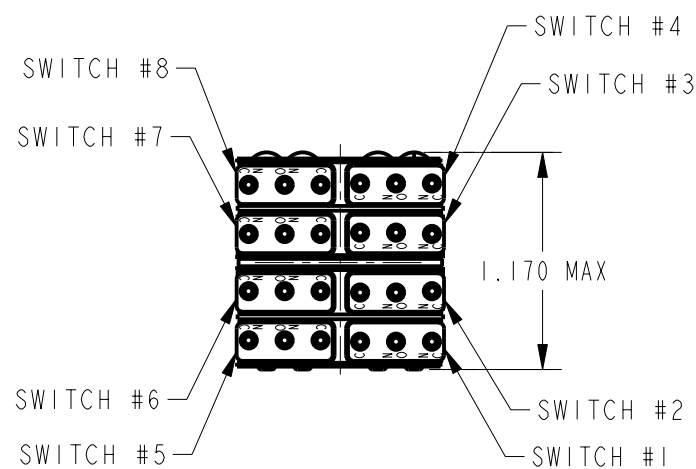
* ASTERISK DENOTES MOMENTARY POSITION



"A" 8 LOCKED IN THREE POSITIONS	"B" 8 LOCKED IN CENTER AND EXTREME POS. (KEYWAY SIDE)	"D" 8 LOCKED OUT OF CENTER POSITION	"E" 8 LOCKED IN CENTER POSITION
"F" 8 LOCKED IN EXTREME POS. (OPP. KEYWAY)	"G" 8 LOCKED IN EXTREME POS. (KEYWAY SIDE)	"H" 8 LOCKED OUT OF CENTER AND EXTREME POS. (KEYWAY SIDE)	"J" 8 LOCKED OUT OF CENTER AND EXTREME POS. (OPP. KEYWAY)
"K" 8 LOCKED IN CENTER AND EXTREME POS. (OPP. KEYWAY)	"L" 8 LOCKED OUT OF EXTREME POS. (KEYWAY SIDE)	"M" 8 LOCKED OUT OF AND INTO EXTREME POS. (OPP. KEYWAY)	"N" 8 LOCKED OUT OF EXTREME POS. (OPP. KEYWAY)
			"P" 8 LOCKED OUT OF AND INTO EXTREME POS. (KEYWAY SIDE)

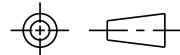
NOTES

- UNIT INCLUDES 8X "SX" TYPE BASIC SWITCH (MEETS REQUIREMENTS OF MIL-PRF-8805/4)
- SWITCHES DO NOT NECESSARILY OPERATE SIMULTANEOUSLY
- TERMINALS ARE PLATED FOR SOLDERING
- SWITCH NUMBERS STAMPED ON END OF BASIC SWITCHES
- TERMINAL DESIGNATION STAMPED ON BOTH SIDES OF UNIT
- DULL FINISH ON BUTTON, LEVER, AND BUSHING
- FOR PANEL SEAL TO BE EFFECTIVE MOUNTING HOLE IN PANEL SHOULD NOT EXCEED Ø.500
- SUFFIX LETTER MUST BE ADDED FOR DESIRED TYPE TOGGLE LOCKING (SEE CHART FOR RECOMMENDED LOCKING COMBINATIONS)
- HARDWARE FURNISHED ASSEMBLED WITH SWITCH OR IN PACKET PER MIL-PRF-8805
- REPLACEMENT MOUNT HARDWARE PACKET 15PA314-AT



THIS DRAWING COVERS A PROPRIETARY ITEM AND IS THE PROPERTY OF MICRO SWITCH, A DIVISION OF HONEYWELL. THIS DRAWING IS NOT TO BE COPIED OR USED WITHOUT THE APPROVAL OF MICRO SWITCH

THIRD ANGLE PROJECTION



CHARACTERISTICS	ELECTRICAL DATA	SCALE
PULLOUT FORCE----3 LB MIN----5 LB MAX	CONTACT ARRANGEMENT 8X S P D T	FULL
		DO NOT SCALE PRINT
		UNLESS OTHERWISE SPECIFIED TOLERANCES ARE
		ONE PLACE (.0) ±.030
		TWO PLACE (.00) ±.015
		THREE PLACE (.000) ±.005
		ANGLES ±
		WEIGHT .09 LB EST.

LOAD	ELECTRICAL RATINGS		
	SEA LEVEL		50,000 FT
	28 Vdc (AMPERES)	115 Vac, 60 Hz (AMPERES)	28 Vdc (AMPERES)
RESISTIVE	7	7	4
INDUCTIVE	4	7	2.5

ANSI Y14.5M-1982 APPLIES

CATALOG LISTING 68AT303 SERIES CHART 2

PAGE 1 OF 1

ISSUE 3

REVISIONS
A 203356
G J W
28 JUN 01
B 206022
D L T
31 JUL 02

CHECK 28 JUN 01
SAV 28 JUN 01

PTC/CAD 2D
DRAWN GJW 28 JUN 01

REPLACES -

RELEASE NO. PR-22129

CHECK

CHECK

CHECK

CHECK

X-ON Electronics

Largest Supplier of Electrical and Electronic Components

Click to view similar products for [Toggle Switches](#) category:

Click to view products by [Honeywell](#) manufacturer:

Other Similar products are found below :

[8A1-C-222](#) [60012L](#) [6006L](#) [6663](#) [7101MD9V30GE](#) [7101SPDV30BE](#) [7103SDV30BE](#) [7105D](#) [7108P3YAV2BE](#) [71YY50282](#)
[7201MD9AVBE](#) [7301K38](#) [7306K36](#) [7310K36](#) [7314K36](#) [7506K4](#) [7592K6](#) [7691K14](#) [7700K1](#) [8396K108](#) [8824K14](#) [8828K13](#) [G2VX](#) [G3VX](#)
[PS83-121G](#) [A101MD9AB04](#) [A101SD9AB04](#) [A101SDCQ04](#) [A103SD9AQ04](#) [A107TZB04](#) [A123P32YZQ](#) [A123S1YZG](#) [A127S1YCQ](#) [1-](#)
[1825192-0](#) [A131S1YZQ](#) [A201SCWZB04](#) [A207SYCB04](#) [A208J61ZQ0004](#) [A221K12KAG](#) [A221S1YZQ](#) [A221T1TCQ](#) [A232K12KZQ](#)
[A232M1YCQ](#) [A323S1CWZQ](#) [A423S1CWZG-M8](#) [A423S1YZQ](#) [12149A-3V](#) [12156AX408](#) [12147AGKX679](#) [12149AD2G0383VX408](#)