

MICRO SWITCH
a Honeywell Division

FED. MFG. CODE 91929

ASSEMBLY-SWITCH

CATALOG LISTING

8AS190-V3L

KT-A1690

CATALOG LISTING
8AS190-V3L
 PAGE 1 OF 1
 ISSUE **5**

REPLACES
 RELEASE NO. PR-6416-T

CHECK

REVISIONS

A	CO 82462
	DCS 19 JAN 96
B	CO 82718
	DCS 15 MAR 96

CHECK

19 JAN 96

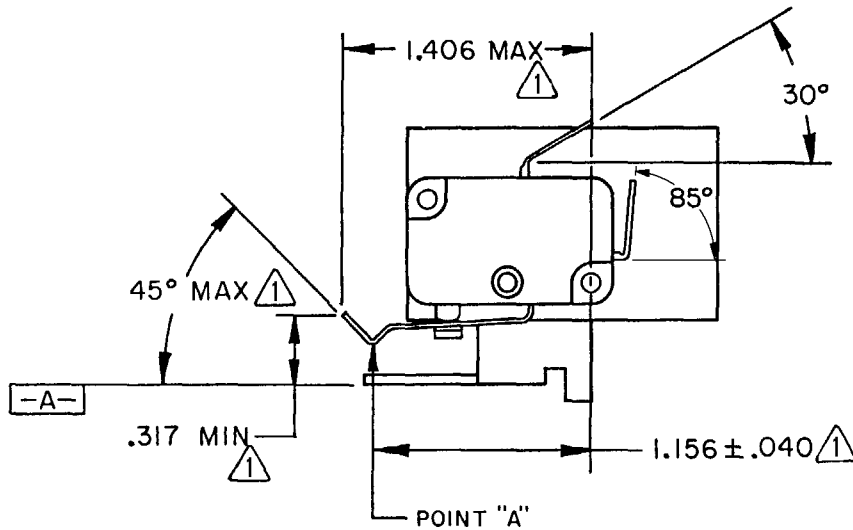
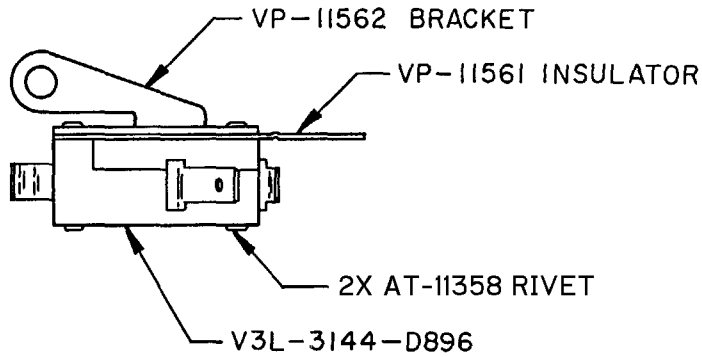
DCS

CHECK

19 JAN 96

DCS

FORMTEK
 DRAWN

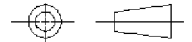


NOTES

- 1 MEASURED AT FREE POSITION
- 2 MEASURED AT FULL OVERTRAVEL FROM -A-

THIS DRAWING COVERS A PROPRIETARY ITEM AND IS THE PROPERTY OF MICRO SWITCH, A DIVISION OF HONEYWELL. THIS DRAWING IS NOT TO BE COPIED OR USED WITHOUT THE APPROVAL OF MICRO SWITCH.

THIRD ANGLE PROJECTION



CHARACTERISTICS AT POINT "A"

OPERATING FORCE	----- 95 GRAMS MAX (3.35 OZ)
DIFFERENTIAL TRAVEL	----- 1 .042 MAX
TOTAL TRAVEL	----- 2 .317 MIN
OPERATE POSITION	----- .235 ± .025

ELECTRICAL DATA

CONTACT ARRANGEMENT
S P N C

SCALE FULL

DO NOT SCALE PRINT

UNLESS OTHERWISE SPECIFIED TOLERANCES ARE		
ONE PLACE (.0)	±	.030
TWO PLACE (.00)	±	.015
THREE PLACE (.000)	±	.005
ANGLES	±	

WEIGHT

X-ON Electronics

Largest Supplier of Electrical and Electronic Components

Click to view similar products for [Basic / Snap Action Switches](#) category:

Click to view products by [Honeywell](#) manufacturer:

Other Similar products are found below :

[83228001](#) [01.098.1358.1](#) [602EN1-6B](#) [602EN532](#) [602EN535-RB](#) [602HE5-RB1](#) [604HE162](#) [604HE223-6B](#) [624HE17-RB](#) [6HM89](#) [6PA78-JM](#)
[6SE1](#) [6SX1-H58](#) [70500840](#) [MBD5B1](#) [MBH2731](#) [73-316-0012](#) [79211759](#) [79211923](#) [79218589](#) [7AS12](#) [ML-1155](#) [ML-1376](#) [831010C3.0](#)
[831060C3.TL](#) [831090C2.EL](#) [83131904](#) [84212012](#) [8AS239](#) [8HM73-3](#) [903VB1-PG](#) [914CE1-6G](#) [PL-100](#) [11SM1077-H4](#) [11SM1077-H58](#)
[11SM1-TN107](#) [11SM405](#) [11SM703-T](#) [11SM8423-H2](#) [11SX37-T](#) [11SX48-H58](#) [11SX55-H58](#) [11SM2442-T](#) [11SM76-T](#) [11SM77-H58](#)
[11SM77-T](#) [11SM863-T](#) [11SM866](#) [11SX47-H58](#) [A7CN-1M-1-LEFT](#)