

EPM22 SERIES CHART 3

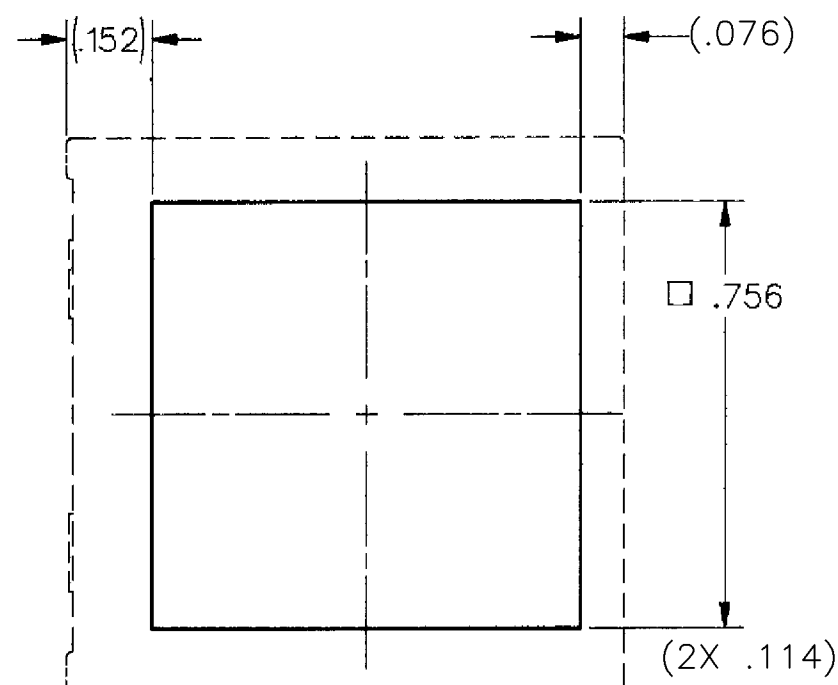
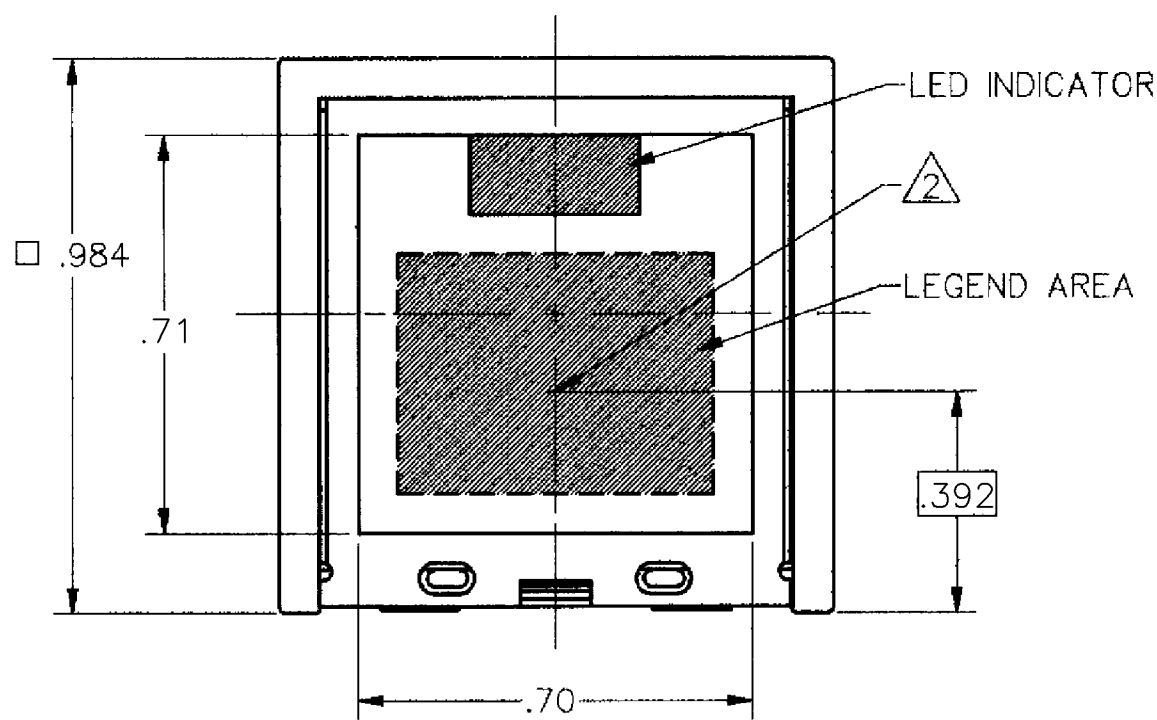
ELECTRICAL DATA

CONTACT ARRANGEMENT  
S P D T

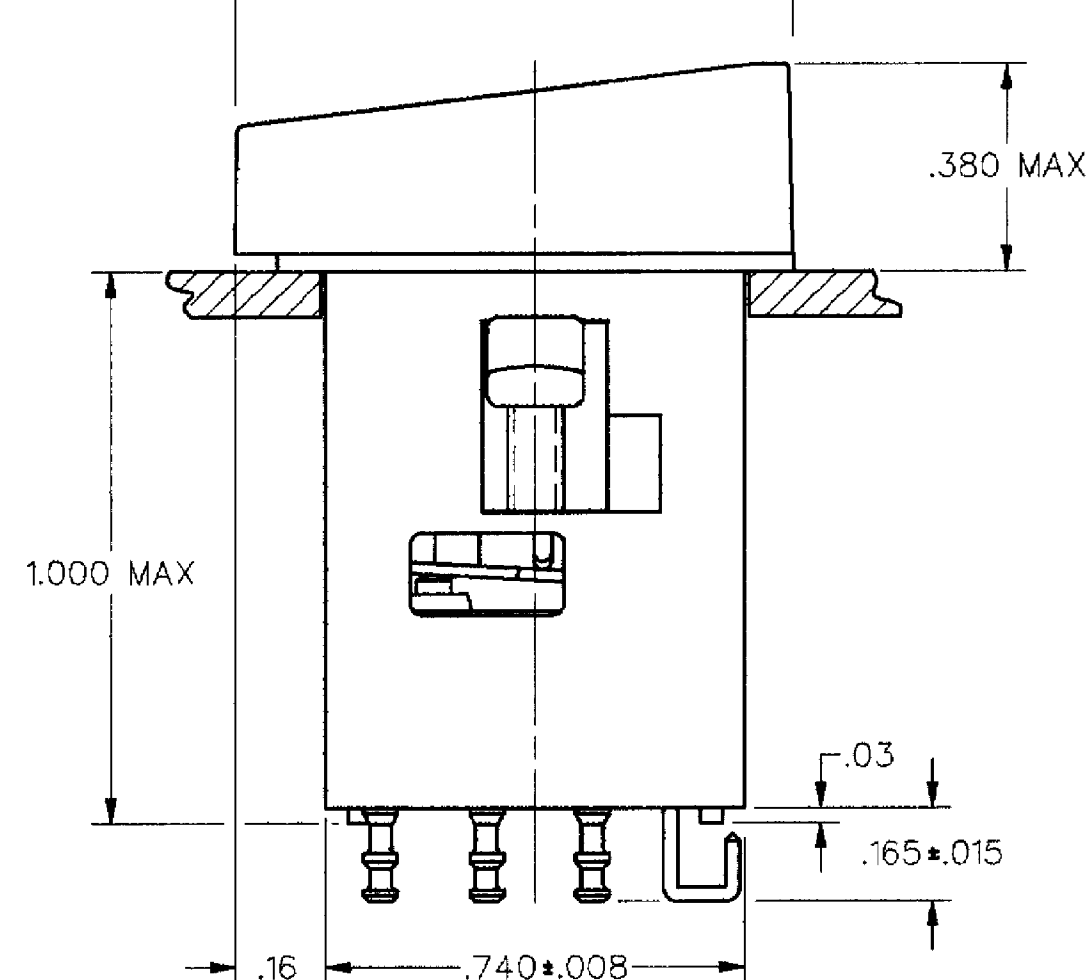
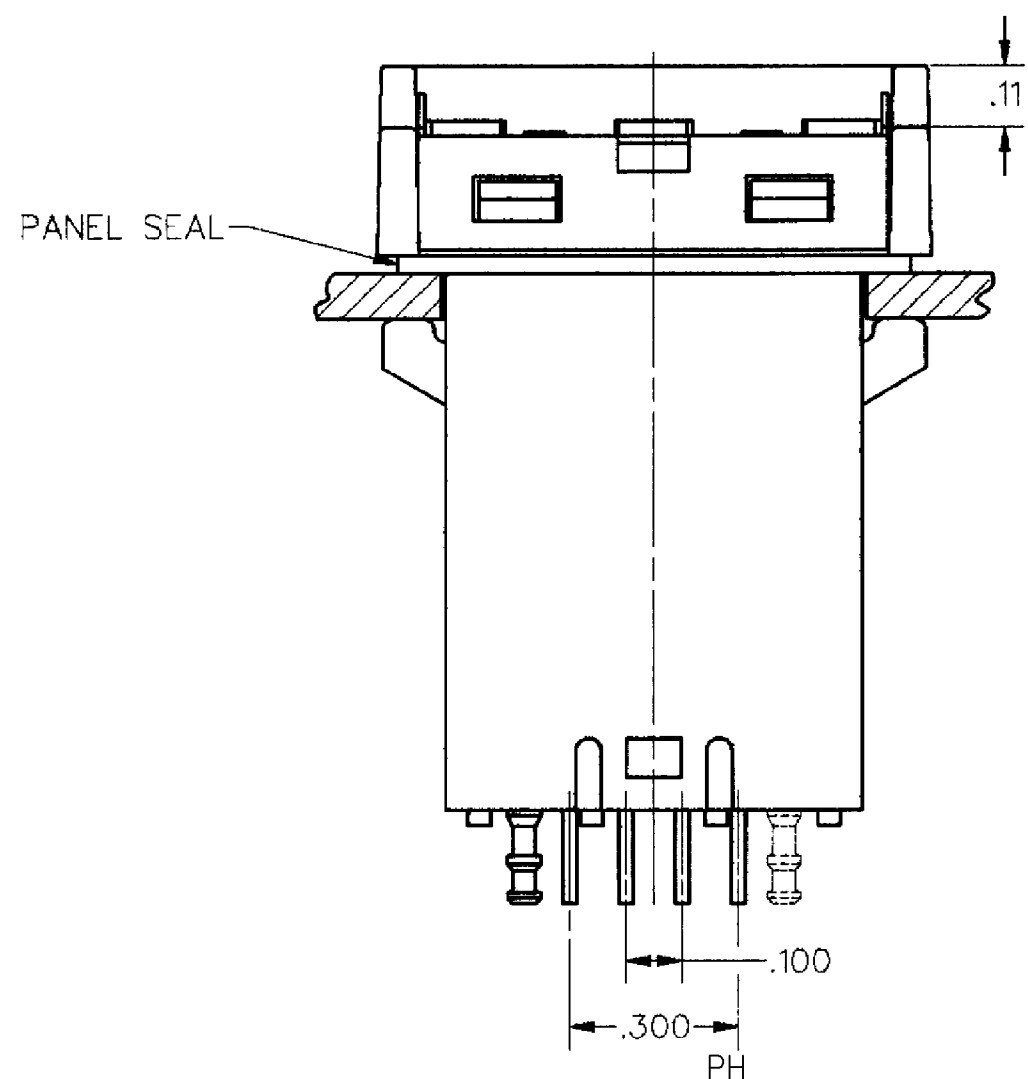
30 VOLTS DC RATING  
INDUCTIVE-----SEA LEVEL----1/2 AMP  
50,000 FT----1/2 AMP  
RESISTIVE-----SEA LEVEL----1 AMP  
50,000 FT----1 AMP  
MAXIMUM INRUSH-----2 AMP

CHARACTERISTICS

TOTAL TRAVEL----- .030 MAX  
OPERATING FORCE---- 20 - 60 OZ  
LED VOLTAGE----- 4-4V RED, YELLOW, 4-6V GREEN  
LED CURRENT----- 30mA MAX, RED & GREEN, 20mA MAX YELLOW  
20mA TYPICAL  
PANEL THICKNESS--- .063 MIN  
.189 MAX  
TEMPERATURE RANGE- -40°C TO 85°C RED & YELLOW  
-20°C TO 85°C GREEN

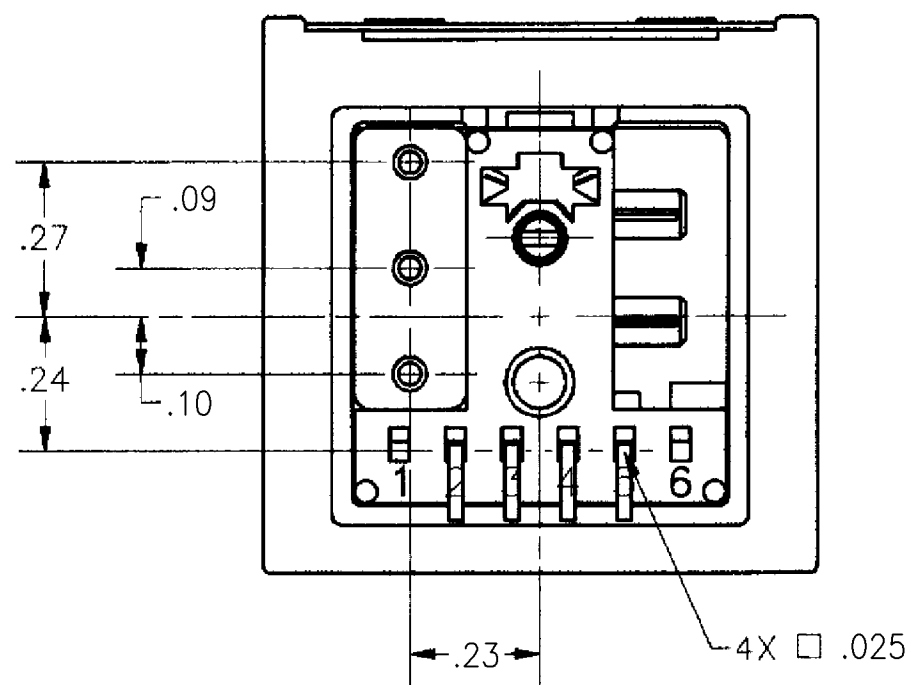


PANEL CUTOUT

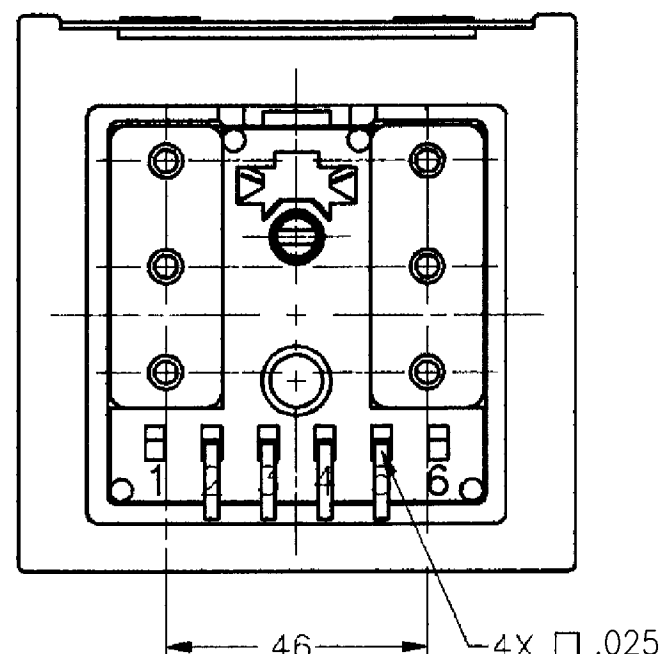


NOTES  
1 - MOUNTING TORQUE: 2 1/2-2 3/4 INCH-LBS  
2 - OPERATING FORCE MEASURED AT THIS POINT

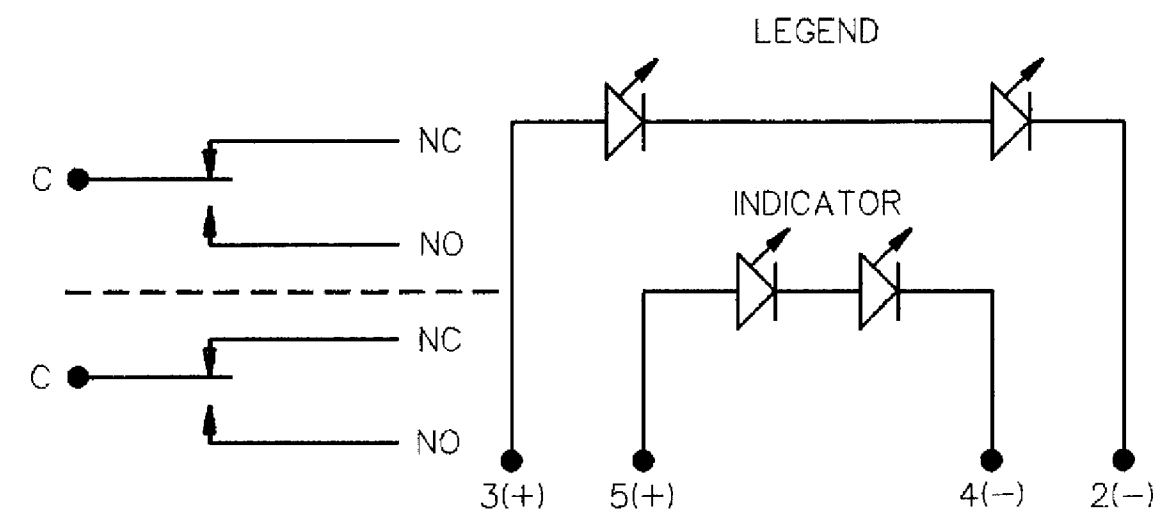
EPM22 SERIES CHART 3  
 DRAWING NUMBER  
 ISSUE 2  
 RELEASE NO. CO-69694A REPLACES  
 REVISIONS  
 A 0012654  
 DATE MAY 91  
 CHECK M.A.M. 29 MAY 91  
 CHECK R.R.S. 23 MAY 91  
 DDM/CAD  
 TSM 16MAY91



1 POLE



2 POLE



CIRCUIT DIAGRAM

ANSI Y14.5M-1982 APPLIES

THIS DRAWING COVERS A PROPRIETARY ITEM AND IS THE PROPERTY OF MICRO SWITCH, A DIVISION OF HONEYWELL. THIS DRAWING IS NOT TO BE COPIED OR USED WITHOUT THE APPROVAL OF MICRO SWITCH.

**MICRO SWITCH**  
a Honeywell Division

PUSHBUTTON INDICATOR

CATALOG LISTING  
**EPM22 SERIES**  
CHART 3

THIRD ANGLE PROJECTION	
SCALE	3:1
DO NOT SCALE PRINT	
UNLESS OTHERWISE SPECIFIED TOLERANCES ARE	
ONE PLACE (0)	± .030
TWO PLACES (00)	± .015
THREE PLACES (000)	± .005
ANGLES	±
WEIGHT	

## X-ON Electronics

Largest Supplier of Electrical and Electronic Components

*Click to view similar products for [Pushbutton Switches](#) category:*

*Click to view products by [Honeywell](#) manufacturer:*

Other Similar products are found below :

[LW1L-M1C10V-A](#) [LW2L-A1C20M-GD](#) [LW2L-M1C20M-A](#) [60324L](#) [M7E-HRN2](#) [67021K512](#) [67081K512X](#) [701PB580](#) [719-5504-000](#)  
[MDPSSGLFS](#) [810KSV30B](#) [FLT 2U EE 01A](#) [MML21KA3ABK](#) [MML23KA3AC05K-001](#) [MML23KW3AA01W](#) [8418K2](#) [8646AB6X718UL](#)  
[8646ABUL](#) [FSDWH](#) [9001KXRK](#) [9001T8BK](#) [9533CD4+U574+U4922](#) [1203MRA](#) [A22EM01S](#) [A595](#) [1202A6](#) [12037A2ULCSA](#) [1203A2UL](#)  
[ABD122N-B](#) [1211390004](#) [ABN111-Y](#) [ABN400-R](#) [1211500044](#) [1211580012](#) [1212MRA](#) [1232A6NF](#) [RA3CSH6A](#) [1241.1183.7047](#)  
[1241.2511](#) [1241.3428](#) [1223A2ULCSA](#) [1223MRA](#) [1232AX2119](#) [1241.1183.8000](#) [1241.1183.8029](#) [1241.2506](#) [1241.2606](#) [12MA6](#)  
[1301940184](#) [RELBARF6X10\(PLASTIC\)](#)