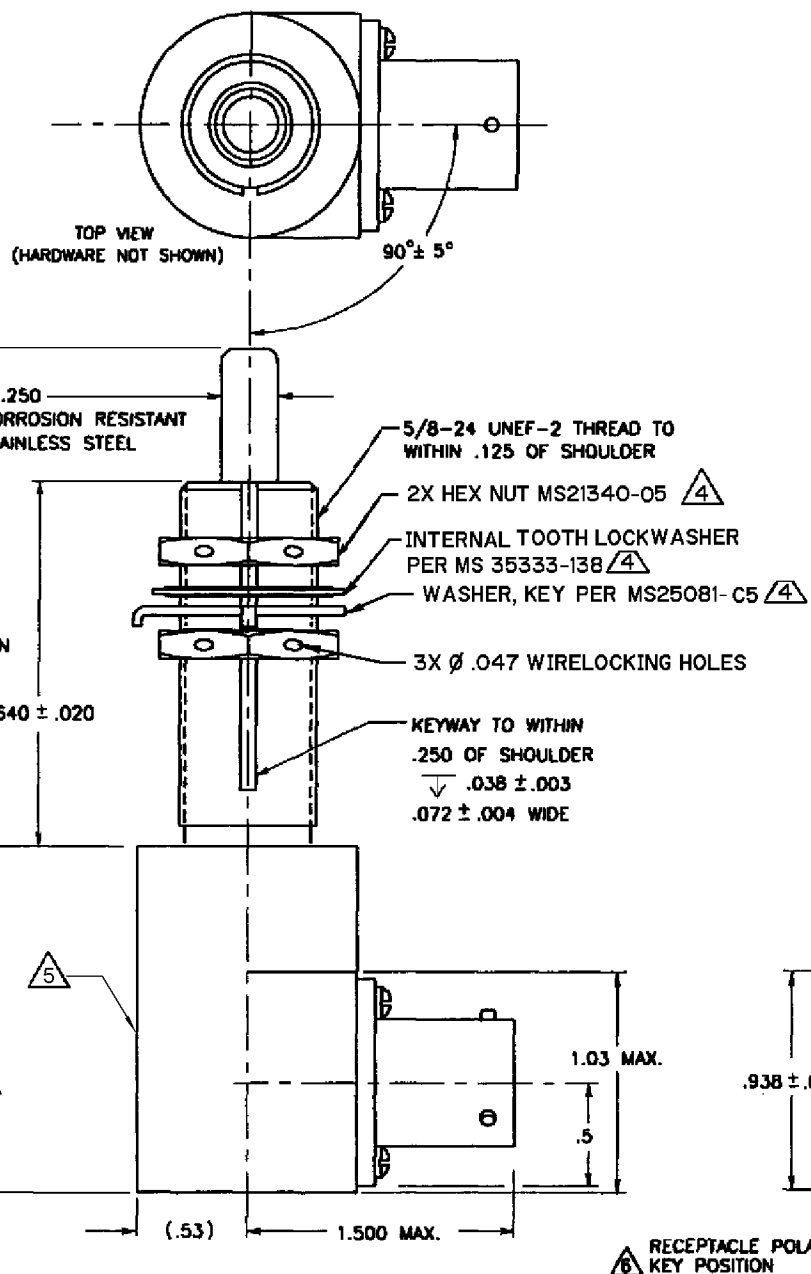
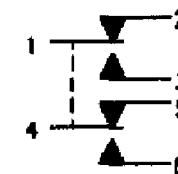


MICRO SWITCH
a Honeywell Division

SWITCH - ENCLOSED

CATALOG LISTING
ML-1285

CIRCUIT DIAGRAM



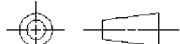
NOTES

- 1 - COINCIDENCE OF OPERATING AND RELEASING POINTS .010 OF PLUNGER TRAVEL
- 2 - CORROSION RESISTANT STEEL ENCLOSURE AND PLUNGER
- 3 - SWITCH SEALED PER MIL-PRF-8805 SYMBOL 4
- $\triangle 4$ HARDWARE MAY BE PACKAGED UNASSEMBLED PER MIL-PRF-8805
- $\triangle 5$ PRINT CIRCUIT DIAGRAM, CATALOG LISTING AND DATE CODE ON NAMEPLATE
- $\triangle 6$ RECEPTACLE PART NUMBER MS27496E9B35P MATES WITH MS2746719B35S
- $\triangle 7$ LOCK MOUNTING HARDWARE ON RECEPTACLE USING MS20995 SAFETY WIRE 1AW MS33540

ANSI Y14.5M-1982 APPLIES

THIS DRAWING COVERS A PROPRIETARY ITEM AND IS THE PROPERTY OF MICRO SWITCH, A DIVISION OF HONEYWELL. THIS DRAWING IS NOT TO BE COPIED OR USED WITHOUT THE APPROVAL OF MICRO SWITCH

THIRD ANGLE PROJECTION



SCALE NONE

DO NOT SCALE PRINT

UNLESS OTHERWISE SPECIFIED TOLERANCES ARE

ONE PLACE (.0) $\pm .030$
TWO PLACE (.00) $\pm .015$
THREE PLACE (.000) $\pm .005$
ANGLES $\pm 4^\circ$

WEIGHT 7 OZ MAX

CHARACTERISTICS

OPERATING FORCE ----- 6-12 LBS
FULL OVERTRAVEL ----- 30 LBS MAX
RELEASE FORCE ----- 4 LBS MIN
PRETRAVEL ----- .040 MAX
DIFFERENTIAL TRAVEL ----- .020 MAX
OVERTRAVEL ----- .500 MIN

ELECTRICAL DATA

CONTACT ARRANGEMENT 2X SPDT		
28 VDC		
LOAD	SEA LEVEL	50,000 FT
RES	7	4
IND	4	2.5

RASTER
 DRAWN
 D L T 27 SEP 99
 CHECK
 S A V 27 SEP 99
 CHECK
 P S R 28 SEP 07
 CHECK
 M
 ISSUE 4
 M
 CATALOG LISTING
 ML-1285
 PAGE 1 OF 1
 RELEASE NO. PR-24165
 REPLACES

X-ON Electronics

Largest Supplier of Electrical and Electronic Components

Click to view similar products for [Basic / Snap Action Switches](#) category:

Click to view products by [Honeywell](#) manufacturer:

Other Similar products are found below :

[83228001](#) [01.098.1358.1](#) [602EN1-6B](#) [602EN532](#) [602EN535-RB](#) [602HE5-RB1](#) [604HE162](#) [604HE223-6B](#) [624HE17-RB](#) [6HM89](#) [6PA78-JM](#)
[6SE1](#) [6SX1-H58](#) [70500840](#) [MBD5B1](#) [MBH2731](#) [73-316-0012](#) [79211759](#) [79211923](#) [79218589](#) [7AS12](#) [ML-1155](#) [ML-1376](#) [831010C3.0](#)
[831060C3.TL](#) [831090C2.EL](#) [83131904](#) [84212012](#) [8AS239](#) [8HM73-3](#) [903VB1-PG](#) [914CE1-6G](#) [PL-100](#) [11SM1077-H4](#) [11SM1077-H58](#)
[11SM1-TN107](#) [11SM405](#) [11SM703-T](#) [11SM8423-H2](#) [11SX37-T](#) [11SX48-H58](#) [11SX55-H58](#) [11SM2442-T](#) [11SM76-T](#) [11SM77-H58](#)
[11SM77-T](#) [11SM863-T](#) [11SM866](#) [11SX47-H58](#) [A7CN-1M-1-LEFT](#)