

| REV | DOCUMENT | CHANGED BY | CHECK |
|-----|----------|-------------|-------|
| 5 | 0033839 | PRS 13SEP07 | CMH |

XSC

SERIES
DESIGNATES PRESSURE
L - LOW PRESSURE (IN H₂O)
- NO DESIGNATION (PSI)

ACCURACY GRADE
C - COMMERCIAL GRADE
H - HIGH GRADE

PORT OPTION
F - AXIAL (GAGE ONLY)
- NO PORT

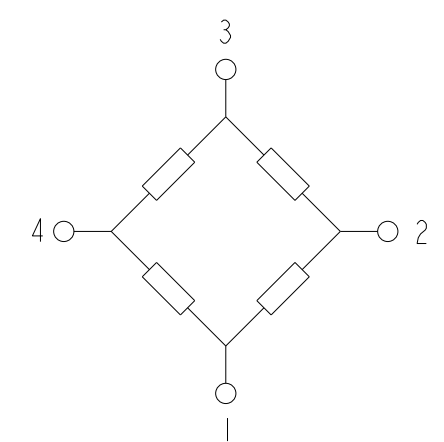
PRESSURE RANGE
04, 10 IN H₂O
0.3, 01, 05, 15, 30,
60, 100, 150 PSI

PRESSURE REFERENCE
G - GAGE
D - DIFFERENTIAL

| CATALOG LISTINGS |
|------------------|
| XSCL04DC |
| ④ |
| XSCL10DC |
| ⑤ |
| XSC01DH |
| ④ |
| ④ |
| XSC100DH |
| ⑤ |

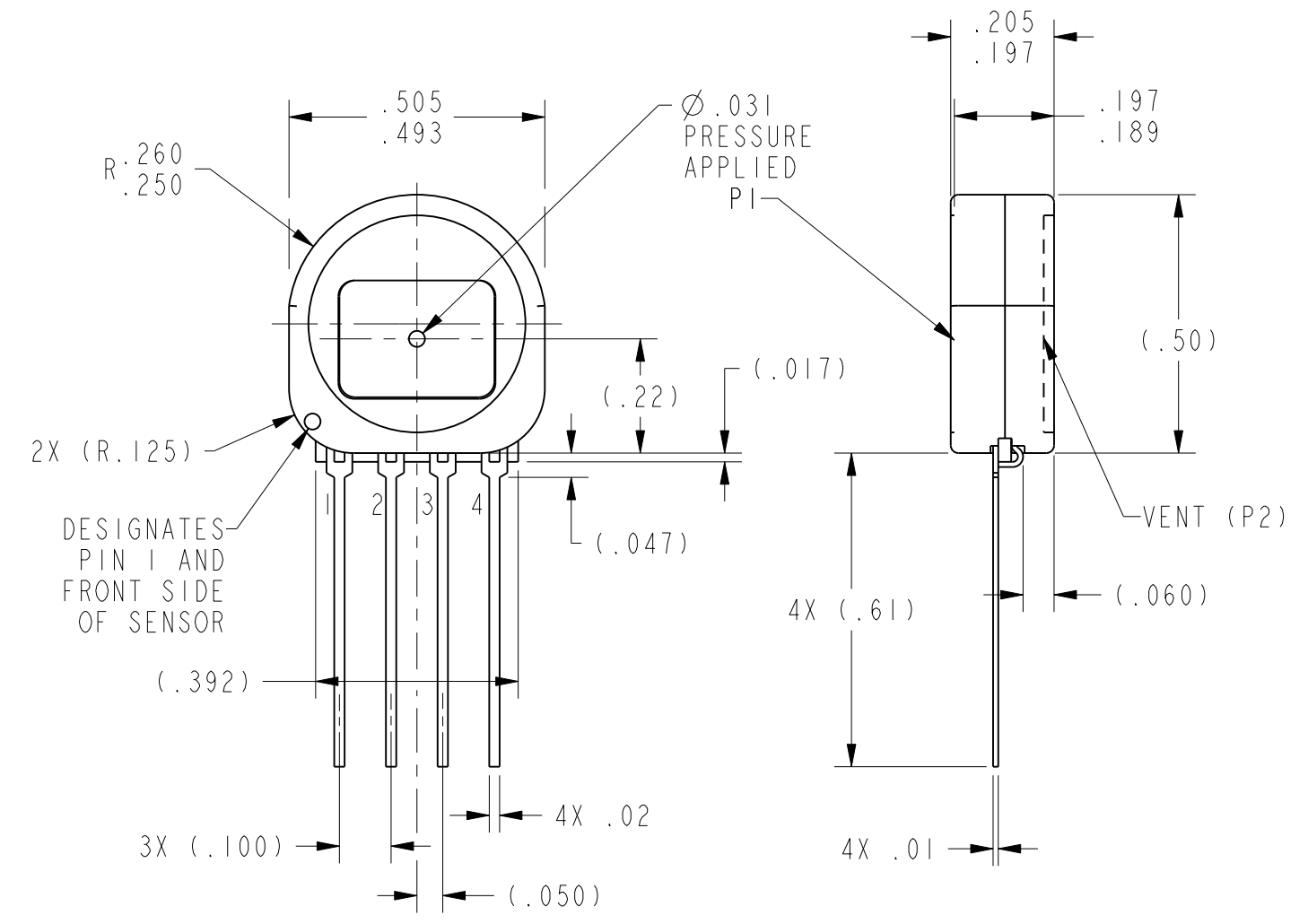
| XSC G AND D STYLES (GAGE/DIFFERENTIAL) | PERFORMANCE AT 25°C AND 12±0.01 V _{dc} (UNLESS OTHERWISE STATED) | | | | | | UNITS | FULL SCALE PRESSURE PSI | PROOF PRESSURE PSI | BURST PRESSURE PSI |
|---|---|------|-----|---------|-----|------|-------|-------------------------|--------------------|--------------------|
| | C-GRADE | | | H-GRADE | | | | | | |
| | MIN | NOM | MAX | MIN | NOM | MAX | | | | |
| OFFSET (0 IN H ₂ O) | -1 | 0 | 1 | -0.5 | 0 | +0.5 | mV | | | |
| 4 IN H ₂ O SPAN (P1>P2) | 23 | 25 | 27 | N/A | N/A | N/A | mV | 4 IN H ₂ O | 3 | 5 |
| 10 IN H ₂ O SPAN (P1>P2) | 19 | 20 | 21 | 19.5 | 20 | 20.5 | mV | 10 IN H ₂ O | 3 | 5 |
| 0.3 PSI SPAN (P1>P2) | 19 | 20 | 21 | 19.5 | 20 | 20.5 | mV | 0.3 | 3 | 5 |
| 1 PSI SPAN (P1>P2) | 17 | 18 | 19 | 17.8 | 18 | 18.2 | mV | 1 | 3 | 5 |
| 5 PSI SPAN (P1>P2) | 57 | 60 | 63 | 59 | 60 | 61 | mV | 5 | 15 | 25 |
| 15 PSI SPAN (P1>P2) | 85 | 90 | 95 | 89 | 90 | 91 | mV | 15 | 45 | 75 |
| 30 PSI SPAN (P1>P2) | 85 | 90 | 95 | 89 | 90 | 91 | mV | 30 | 90 | 150 |
| 60 PSI SPAN (P1>P2) | 85 | 90 | 95 | 89 | 90 | 91 | mV | 60 | 180 | 300 |
| 100 PSI SPAN (P1>P2) | 95 | 100 | 105 | 99 | 100 | 101 | mV | 100 | 250 | 400 |
| 150 PSI SPAN (P1>P2) | 85 | 90 | 95 | 89 | 90 | 91 | mV | 150 | 250 | 400 |
| COMBINED LINEARITY AND HYSTERESIS ④ | --- | 0.25 | 1 | -0.5 | --- | 0.5 | %SPAN | | | |
| NULL SHIFT OVER TEMPERATURE (0-25, 25-70°C) ②/③ | -1 | --- | 1 | -0.5 | --- | 0.5 | mV | | | |
| SPAN SHIFT OVER TEMPERATURE (0-25, 25-70°C) ②/③ | -2 | --- | 2 | -1 | --- | 1 | %SPAN | | | |

| GENERAL OPERATING CHARACTERISTICS | ALL PRESSURES AND GRADES | | | |
|-----------------------------------|--------------------------|-----|-----|-----------------|
| | MIN | NOM | MAX | UNITS |
| EXCITATION VOLTAGE | 3 | 12 | 16 | V _{dc} |
| INPUT RESISTANCE | 5 | --- | --- | K-OHMS |
| OUTPUT RESISTANCE | --- | 3 | --- | K-OHMS |
| OPERATING TEMPERATURE | -25 | 25 | 85 | °C |
| STORAGE TEMPERATURE | -40 | --- | 125 | °C |

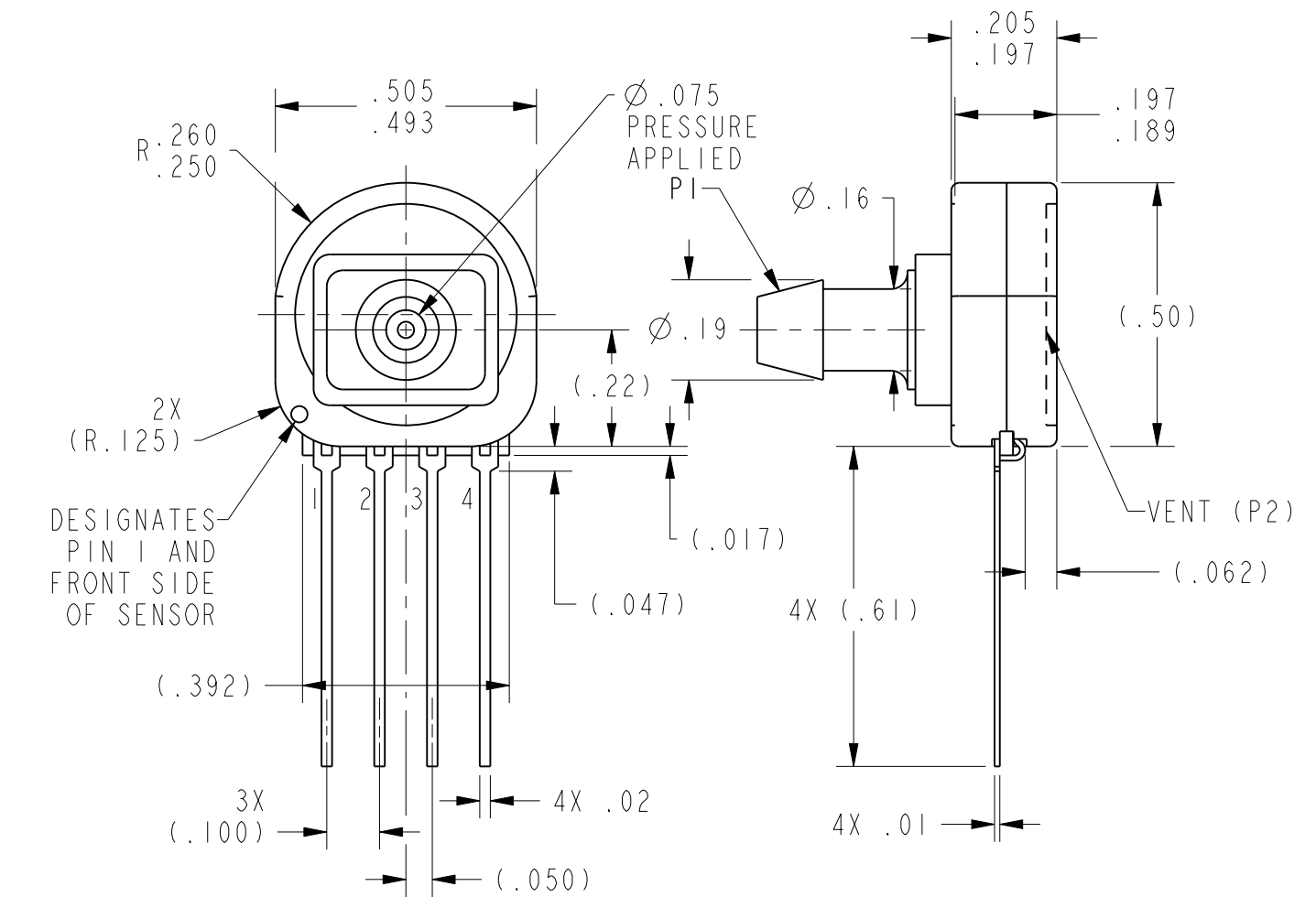


EQUIVALENT CIRCUIT

| PIN OUT | |
|---------|-----------------|
| 1 | -V EXCITATION |
| 2 | + OUTPUT SIGNAL |
| 3 | + V EXCITATION |
| 4 | - OUTPUT SIGNAL |



D HOUSING



GF HOUSING

- NOTES
- 1 - SPAN IS THE ALGEBRAIC DIFFERENCE BETWEEN THE OUPUT AT FULL SCALE PRESSURE AND THE OFFSET OUTPUT
 - ② TEMPERATURE ERROR IS CALCULATED WITH RESPECT TO 25°C
 - ③ THE L04 LISTING HAS A TEMPERATURE SHIFT RANGE FROM 0°C TO 25°C AND 25°C TO 50°C
 - ④ LINEARITY IS MEASURED AT 1/2 FULL SCALE PRESSURE USING BEST STRAIGHT LINE FIT
 - 5 - THE OUTPUT OF THE SENSOR IS PROPORTIONAL, RATIOMETRIC, TO THE EXCITATION VOLTAGE. ALL SPECIFICATIONS WILL NOMINALLY BE CHANGED BY THE RATIO OF V_{EXCITATION}/12.0 V_{dc}
 - 6 - LIMIT SOLDERING TO 315°C FOR LESS THAN 10 SECONDS
 - 7 - POSITIVE PRESSURE APPLIED TO PORT 1 > PORT 2 RESULTS IN POSITIVE GOING OUTPUT
 - 8 - INPUT MEDIA RESTRICTED TO DRY GASES ONLY

| | | | | | | |
|--|---|---|--|-----|---------|-------------------------------------|
| UNLESS OTHERWISE SPECIFIED TOLERANCES ARE: | <input checked="" type="checkbox"/> US (inch) CUSTOMARY | <input type="checkbox"/> SI (mm) METRIC | DRAWN | TRF | 04APRO1 | Honeywell |
| NO PLACE | X | ±.040 ±1 | CHECK | SAV | 04APRO1 | |
| ONE PLACE | .X | ±.030 ±0,4 | THIS DRAWING COVERS A PROPRIETARY ITEM AND IS THE PROPERTY OF HONEYWELL. THIS DRAWING IS NOT TO BE COPIED OR USED WITHOUT THE PERMISSION OF HONEYWELL. | | | TITLE |
| TWO PLACE | .XX | ±.015 ±0,15 | DIMENSIONS ARE TO BE MET BEFORE PROTECTIVE COATINGS ARE APPLIED | | | SIZE DWG TYPE DRAWING NAME |
| THREE PLACE | .XXX | ±.005 ± | 3D PTC ASME Y14.5M-1994 | | | C I XSC G D SERIES CHART 1 5 |
| ANGLES | ± | ± | SCALE 3:1 WEIGHT | | | REV |
| RAW MATERIAL-COMMERCIAL STANDARD | | | SHEET 1 OF 1 | | | |

X-ON Electronics

Largest Supplier of Electrical and Electronic Components

Click to view similar products for [Board Mount Pressure Sensors](#) category:

Click to view products by [Honeywell](#) manufacturer:

Other Similar products are found below :

[80527-25.0H2-05](#) [80541-B00000150-01](#) [80541-B00000200-05](#) [80554-00700100-05](#) [80568-00300050-01](#) [81618-B00000040-01](#) [81739-B00000900-01](#) [81807-B00000020-01](#) [81808-B00000150-14](#) [82903-B00000020-01](#) [93.631.4253.0](#) [93.731.4353.0](#) [93.932.4553.0](#) [136PC150G2](#) [136PC15A1](#) [142PC95AW71](#) [142PC05DW70](#) [MPXV2202DPT1](#) [15PSI-G-4V](#) [1805-01A-L0N-B](#) [2000317-1](#) [26PCBKT](#) [26PCCFA6D26](#) [26PCCFS2G](#) [26PCCVA6D](#) [93.632.7353.0](#) [93.731.3653.0](#) [93.931.4853.0](#) [93.932.4853.0](#) [SCDA120-XSC05DC](#) [SP370-23-156-0](#) [185PC30DH](#) [192992-0059](#) [20INCH-G-MV-MINI](#) [26PCAFJ3G](#) [26PCAFS2G54](#) [26PCCEP5G24](#) [26PCJEU5G19](#) [30INCH-D1-MV-MINI](#) [ASCX15AN-90](#) [TSCSAAN001PDUCV](#) [DCAL401DN](#) [DCAL401GN](#) [XZ202798SSC](#) [XZ203676HSC](#) [SP370-25-116-0](#) [81717-00000050-05](#) [81794-B00001200-01](#) [HSCDLNN100PGAA5](#) [81618-B00000040-05](#)