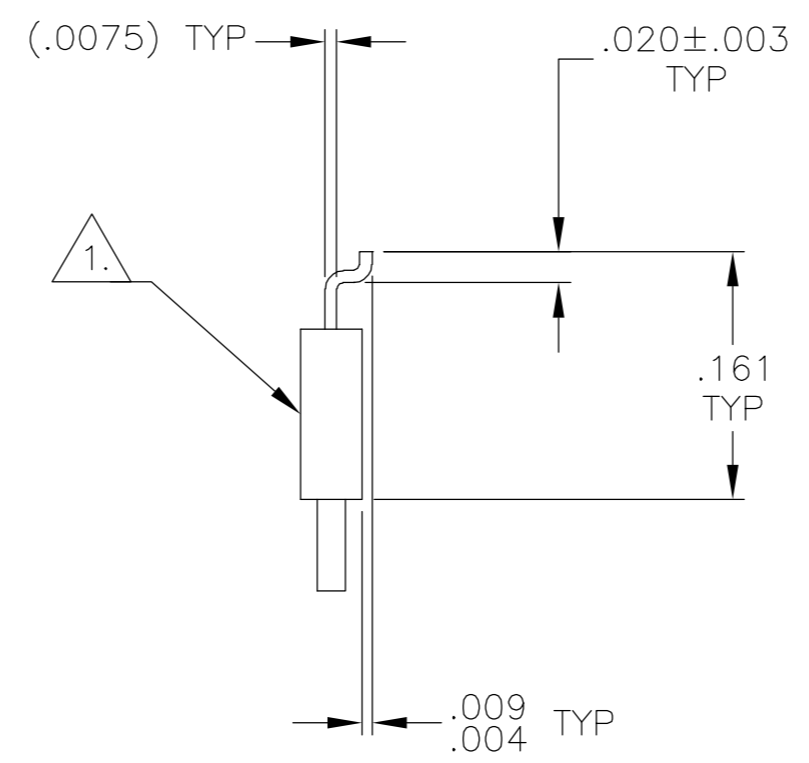
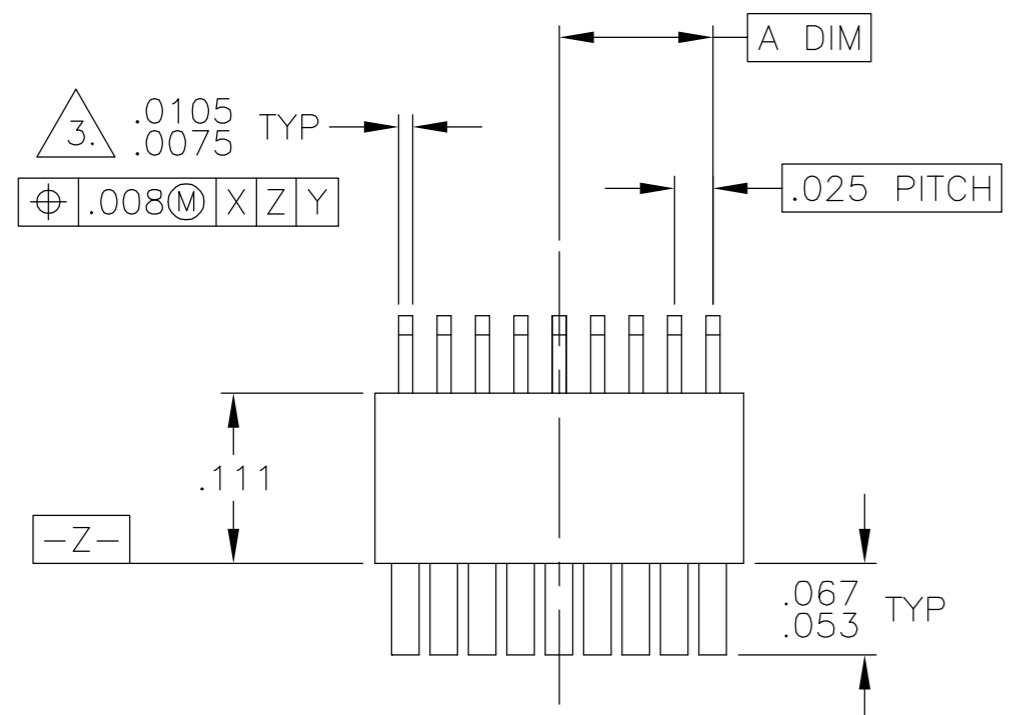


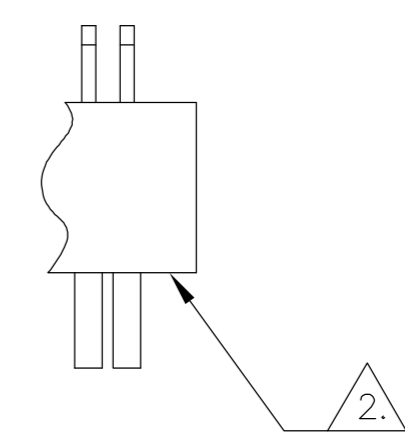
THIS DRAWING IS UNPUBLISHED. RELEASED FOR PUBLICATION  
 © COPYRIGHT BY TYCO ELECTRONICS CORPORATION. ALL RIGHTS RESERVED.

LOC		DIST		REVISIONS			
P	LTR	DESCRIPTION	DATE	DWN	APVD		
	R	UPDATE PER 0H2Y-0008-04	9 JAN 04	CAS	MKS		

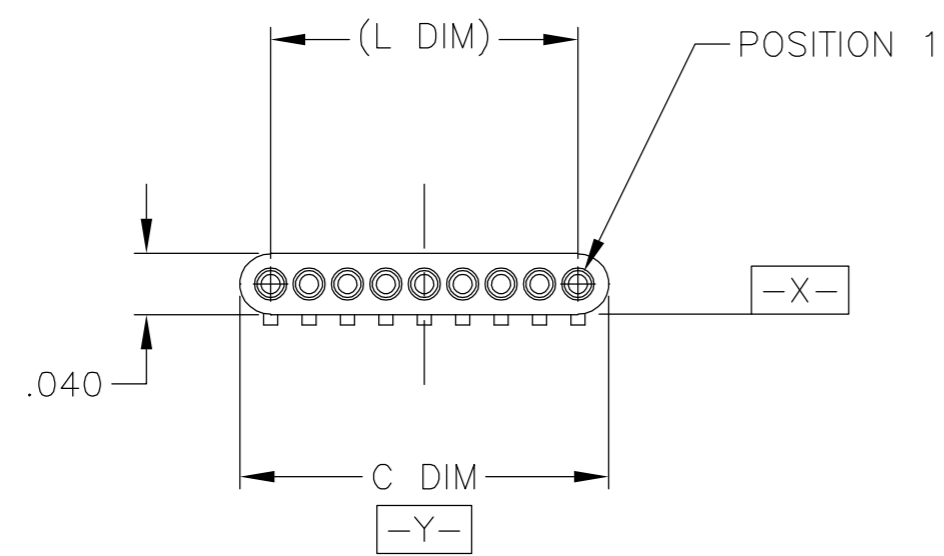


SIZE	A DIM	C DIM	(L DIM)
04	.0375	.115	(.075)
09	.100	.240	(.200)
15	.175	.390	(.350)

5.	25	.300	.640	(.600)
5.	37	.450	.940	(.900)
5.	51	.625	1.290	(1.250)



DETAIL A  
 POSITION "T" SHOWN FOR REFERENCE



- T ○○○○○○○○● POSITION 1
- U ○○○○○○○○●○ POSITION 2
- V ○○○○○○○●○○○ POSITION 3
- W ●○○○○○○○○● POSITION 1, AND SECOND TO LAST POSITION
- Y ○○●○○○○○○○● POSITION 1, AND THIRD TO LAST POSITION
- Z ○○○○○○○○●○ POSITION 2, AND THIRD TO LAST POSITION

1. INSULATOR MATERIAL: LCP (LIQUID CRYSTAL POLYMER) PER ASTM D5138
2. OPTIONAL POLARIZATION POSITION SHOWN FOR REFERENCE ONLY. IF POLARIZATION GUIDE POST(S) ARE REQUIRED ON THE MATING PLUG, THE CORRESPONDING LOCATION MUST BE SPECIFIED IN THE NANONICS RECEPTACLE PART NUMBER. THE CONTACT CAVITY IS LEFT EMPTY FOR ACCEPTANCE OF THE PLUG GUIDE POST.
3. SMT LEADS ARE BeCu, TIN LEAD PLATED 60/40 COMPOSITION PER SAE-AMS-P-81728
4. TERMINATION CODE: L2
5. WHEN ORDERING THESE SIZES, FIRST CONSULT TYCO ELECTRONICS/NANONICS FOR ADDITIONAL INFORMATION.
6. DUE TO THE SMALL AREA OF THIS STRIP RECEPTACLE, CONSIDER SURFACE MOUNTING THE STRIP PLUG (1589451).
7. THIS DRAWING PREVIOUSLY IDENTIFIED AS NANONICS N10138/032

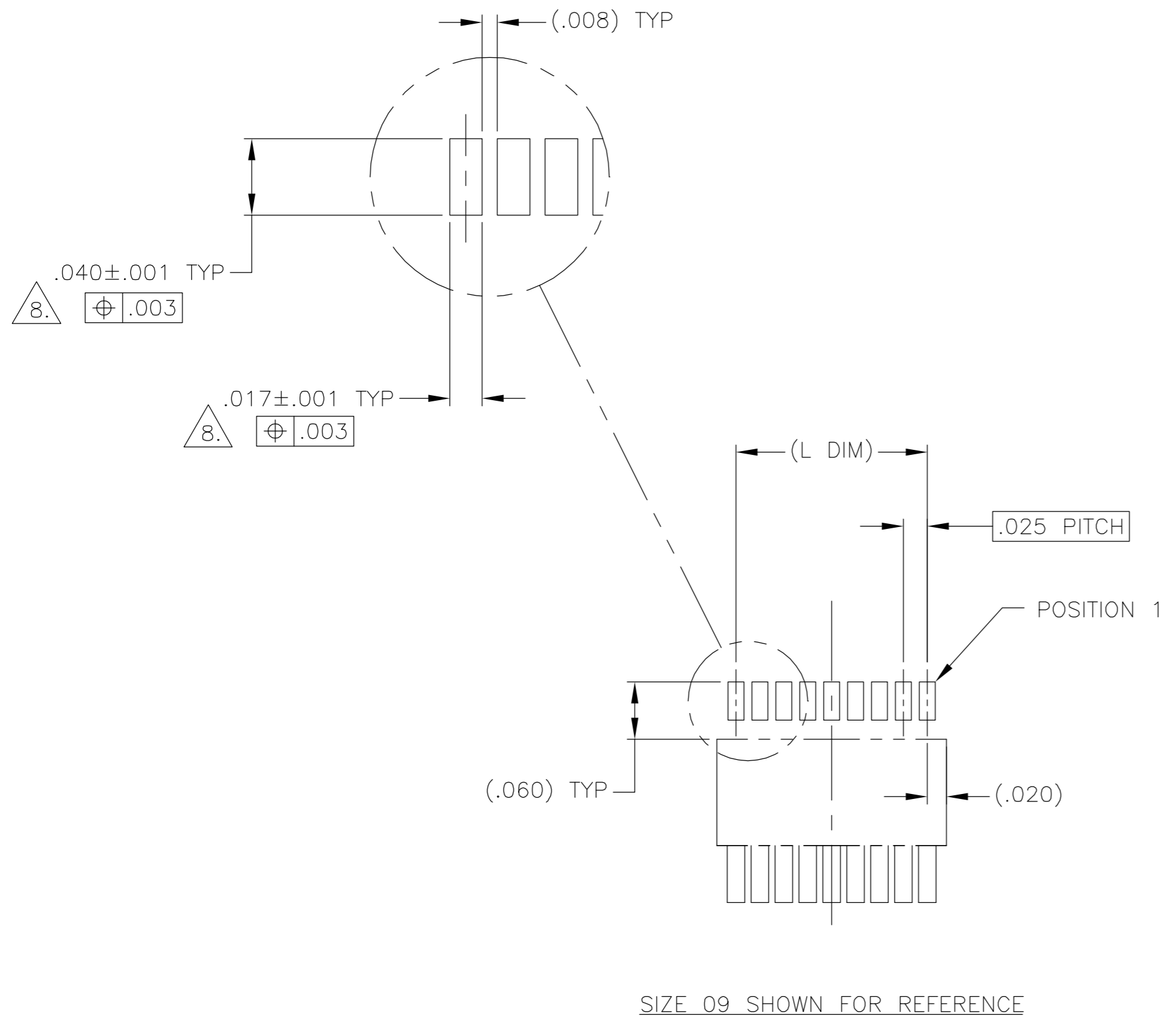
2. POLARIZING POSITIONS, SEE DETAIL A

THIS DRAWING IS A CONTROLLED DOCUMENT.		DWN D. RYAN 20 APR 92	Tyco Electronics Corporation Harrisburg, PA 17105	
DIMENSIONS: INCHES		CHK E. BURGER 09 FEB 93		
TOLERANCES UNLESS OTHERWISE SPECIFIED:		APVD M. STORRY 25 APR 01	NAME	
0 PLC ± - 1 PLC ± - 2 PLC ± .010 3 PLC ± .005 4 PLC ± - ANGLES ± 1		PRODUCT SPEC	RECEPTACLE ASSEMBLY, UNSHROUDED STRIP, HORIZONTAL SMT, PLASTIC	
MATERIAL		APPLICATION SPEC	SIZE	RESTRICTED TO
SEE NOTES		WEIGHT	A2 00779	-
FINISH		CUSTOMER DRAWING	SCALE 8:1	SHEET 1 OF 2
			REV R	

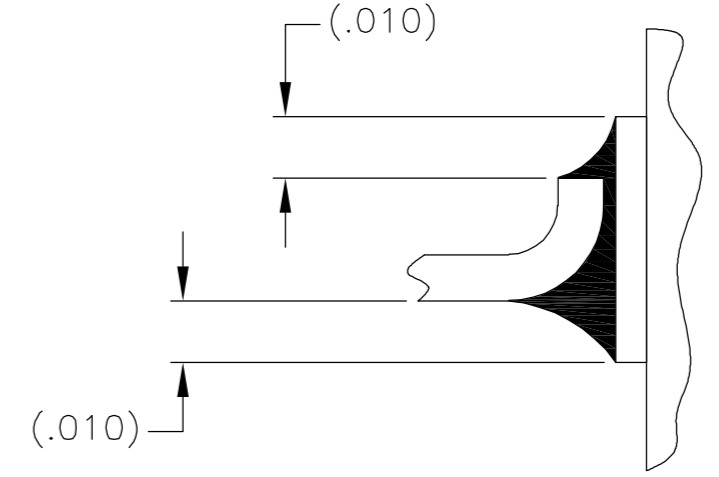
1589452

THIS DRAWING IS UNPUBLISHED. RELEASED FOR PUBLICATION  
 © COPYRIGHT BY TYCO ELECTRONICS CORPORATION. ALL RIGHTS RESERVED.

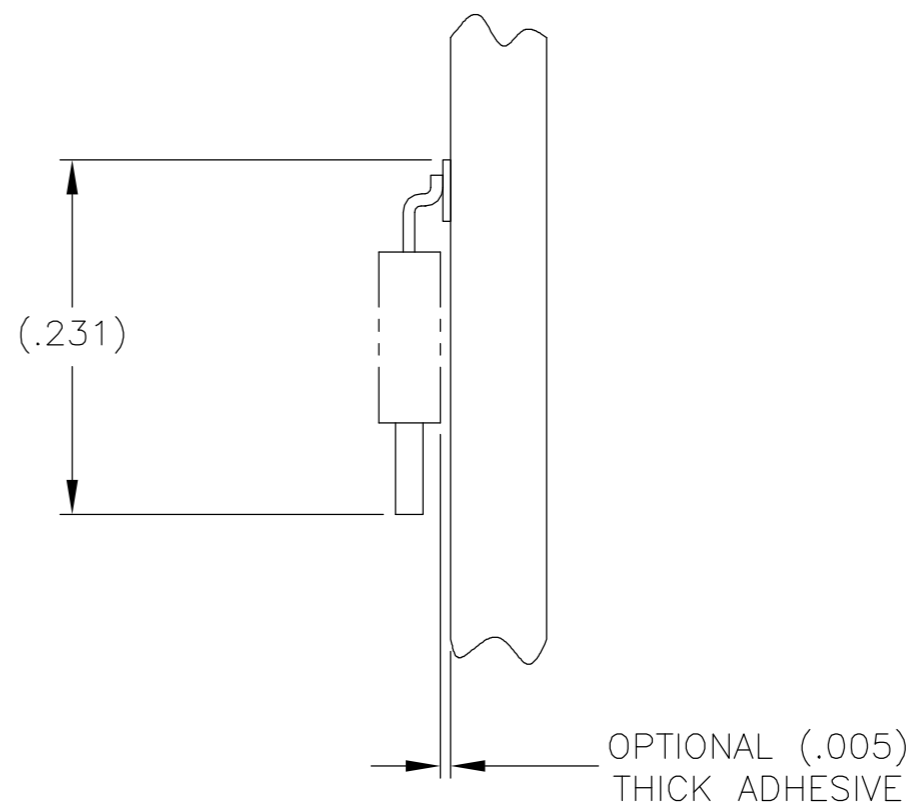
LOC		DIST		REVISIONS			
P	LTR	DESCRIPTION		DATE	DWN	APVD	
DF	DO	R		UPDATE PER 0H2Y-0008-04	9 JAN 04	CAS	MKS



TYPICAL PCB LAYOUT



TYPICAL FOOT PLACEMENT ON SOLDER PAD



8. POSITIONAL TOLERANCES FOR BASIC DIMENSIONED FEATURES ARE RELATIVE TO FIDUCIALS OR SOME SIMILAR DATUM REFERENCE DEFINED BY THE PCB DESIGNER.

THIS DRAWING IS A CONTROLLED DOCUMENT.		DWN	-	<b>tyco</b> <b>Electronics</b>	Tyco Electronics Corporation Harrisburg, PA 17105	
DIMENSIONS: INCHES		CHK	-		NAME	
TOLERANCES UNLESS OTHERWISE SPECIFIED:		APVD	-	PRODUCT SPEC		
0 PLC ± -		APPLICATION SPEC	-	RECEPTACLE ASSEMBLY, UNSHROUDED, STRIP, HORIZONTAL SMT, PLASTIC		
1 PLC ± -		MATERIAL		SIZE	CAGE CODE	DRAWING NO
2 PLC ± -		FINISH		A2	00779	C=1589452
3 PLC ± -		MATERIAL		RESTRICTED TO		
4 PLC ± -		FINISH		CUSTOMER DRAWING		
ANGLES ± -		WEIGHT		SCALE	SHEET	OF
FINISH		-		8:1	2	2
-		-		REV R		

## X-ON Electronics

Largest Supplier of Electrical and Electronic Components

*Click to view similar products for [Rectangular MIL Spec Connectors](#) category:*

*Click to view products by [TE Connectivity](#) manufacturer:*

Other Similar products are found below :

[006-1169-16](#) [CSR31343-0001-00000](#) [CSR31346-0001-A0001](#) [CSR31899-0001-00000](#) [CSR31900-0001-A0001](#) [CTJ-3D-05](#) [CTS-S16/16](#)  
[M55302/57A36X](#) [M55302/58-A70Y](#) [65002-062](#) [65008-D08](#) [CY4602-000](#) [732-8020-01](#) [732-8021-02 B](#) [77058-22-55PN](#) [81542-20](#)  
[86.030.0053.0](#) [1241346-1](#) [RM252-020-311-2900](#) [DMC-M 08-16 SNE](#) [1589051-4](#) [BACC65CAMA](#) [BACC65CAMN](#) [BACC65CP1PN](#)  
[BACI10BC1220PN](#) [18023-9](#) [HSB-D4S03DM222X](#) [2217548-1](#) [891-009-15SA2-BRT1T](#) [SIM2S100A](#) [1604996-2](#) [SMD25PN90L-4055](#)  
[1925036-4](#) [220A012-25225-0](#) [22628-10-6P-791](#) [CSR31343-0001-A0001](#) [CSR31899-0001-A0001](#) [CSR31900-0001-00000](#) [33526M11-08PD](#)  
[RE04-212S](#) [CTD160E01F-6148](#) [CTJ112E03B](#) [CTJ122E02D-8000](#) [CTJ-3D-12](#) [CTJ920E06N-513](#) [CTJ920E12N-513](#) [CTL-16-090](#) [CTR06-](#)  
[5100SY](#) [M55302/63A20H](#) [M55302/66-30H](#)