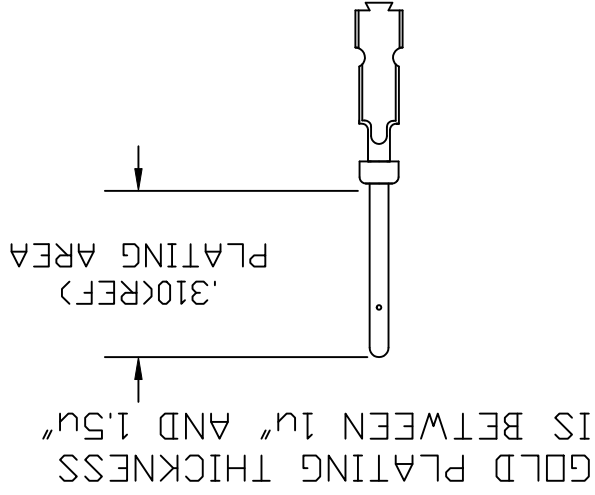


MATERIAL: BRASS
 ROHS COMPLIANT
 WIRE SIZE: 24 - 28 AWG

NOTE #1: CONTACTS SUPPLIED LOOSE PIECE (500 PER BAG)
 NOTE #2: RECOMMENDED MAX. INSULATION DIAMETER
 FOR 24-28 IS .035"



| | |
|-----------------|--|
| 24-28 | GOLD FLASH ON MATING AREA NICKEL ON WIRE CRIMP |
| 170-101-170L001 | .000010" GOLD OVER .000050" NICKEL ENTIRE CONTACT |
| 170-101-170L002 | .000030" GOLD OVER .000100" NICKEL ENTIRE CONTACT |
| 170-101-170L003 | NICKEL ENTIRE CONTACT |

WIRE SIZE:



THESE DRAWINGS AND SPECIFICATIONS
 ARE THE PROPERTY OF NorComp AND
 SHALL NOT BE REPRODUCED, COPIED
 OR USED AS THE BASIS FOR THE
 MANUFACTURE OF SALE OF APPARATUS
 WITHOUT WRITTEN PERMISSION.

DRAWN:
 PAM JENKINS

DATE:
 5-23-02

CHECKED:

DATE:

SCALE:

SHEET 1 OF 1

REV 2

DWG NO.

170-101-170L00Y

NorComp

X-ON Electronics

Largest Supplier of Electrical and Electronic Components

Click to view similar products for [D-Sub Contacts](#) category:

Click to view products by [NorComp](#) manufacturer:

Other Similar products are found below :

[173112-0723](#) [173112-0393](#) [173112-0389](#) [173112-0750](#) [173112-0912](#) [FMP009P104](#) [FMP010P104](#) [FMP010S104](#) [FMP016P104](#)
[FMP016S104](#) [FMP051S110](#) [FMX006S128B](#) [124C25029X](#) [131A11039X](#) [132A11019X](#) [132J22039X](#) [132A11029X](#) [132A12059X](#)
[132C12029X](#) [RMPIR01S02E2RLF](#) [DM53744-1](#) [1757912-1](#) [188582-000](#) [162A11839X](#) [162A11889X](#) [1757913-1](#) [FK20S18-02V_100](#)
[FMP006S110](#) [FMP009S104](#) [FMP139S115](#) [212558-1](#) [D02-22-26P-10000](#) [L17DM53744217](#) [D-610-10CS2820](#) [030-1955-000](#) [030-50634](#)
[053744-0098](#) [053744-0099](#) [053745-0105](#) [053745-0111](#) [601064N004](#) [601098N003](#) [6-745288-2](#) [D-610-10CS2962](#) [86303057NLF](#)
[DM537425001NCLF](#) [131A11019X](#) [173112-0045](#) [162A11819X](#) [1731120397](#)