

4374 - 123 DC Axial Fan

Axial fan with high air flow and minimum noise level. The DC drive employs an electronically commutated external rotor motor with high efficiency. Drive electronics is completely integrated into the fan hub. The air flow and noise level can be controlled by varying the supply voltage range.



Features

- Electrical protection against reverse polarity, blocking and overloading.
- Electrical connection via 2 flat pins 0,8 x 2,8mm.
- Air exhaust over struts. Rotational direction CW looking at rotor.
- Extremely low EMI.

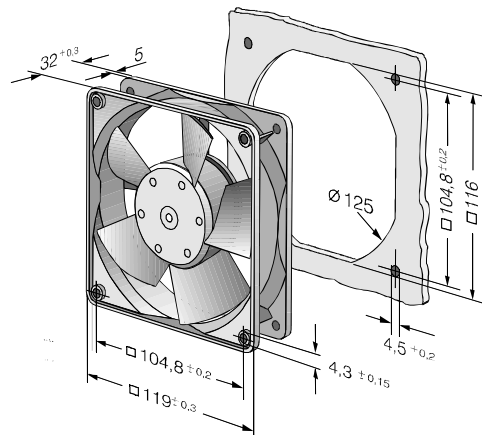
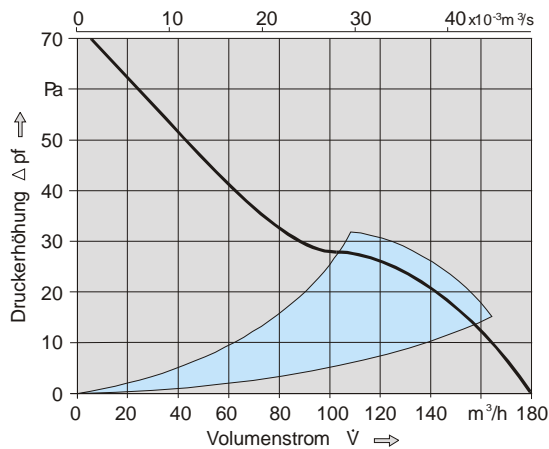
Patents granted or applied for.

General Data

Nominal voltage	V DC	24
Voltage range	V DC	12...28
Nominal speed	min ⁻¹	3000
Max. flow rate	m ³ /h	180
Max. flow rate	CFM	105,9
Noise free air	dB(A)	47
Noise at optimum operating range	bels	6,1
Current consumption	mA	280
Power consumption	W	6,8
Permanent ambient temperature at maximum voltage	°C	-20 ... +75
Service life (+75 °C)	h	25.000
Service life (+40 °C)	h	70.000
Approvals		VDE
Fan housing / Impeller		PBTP / PA 6.6
Bearing system		Ball bearings
Mass	g	220

Alle Daten sind Mittelwerte bei Nennspannung.

Technische Änderungen vorbehalten.



X-ON Electronics

Largest Supplier of Electrical and Electronic Components

Click to view similar products for [DC Fans](#) category:

Click to view products by [ebm papst](#) manufacturer:

Other Similar products are found below :

[614R](#) [6424/2HP-210](#) [8312R](#) [DV4118/2NP-183](#) [AFB0948HH-S687](#) [PFB0824DHE-8B72](#) [G2E085-AA05-10](#) [RD20S-4/210660](#) [4318/12T](#)
[4418HH](#) [AUB0912H-F00](#) [3412N/2ME](#) [K2E225-RA92-09](#) [4184N/2XR](#) [5214N2HH](#) [614J2HHPR-010](#) [8412NGL-12](#) [4114N/12HHR-297](#)
[4656](#) [ZWR-903](#) [4112N12GL-175](#) [KD2406PKB2.\(2\).GN](#) [AFB1248HHE](#) [AFB1212LE-F00](#) [FAN-SCH-1](#) [MF60151V1-1000U-G99](#)
[PF80252V1-1000U-G99](#) [PF92252V1-1000U-G99](#) [4112N/2H6P](#) [4114N/17-251](#) [6212NH](#) [622/2N](#) [712F-011](#) [8218J/2NP-181](#) [W1G180-AB47-](#)
[15](#) [FAA1-12038NBKW31-A](#) [6318N/2TDP](#) [6318N/2H3PU](#) [6318HU](#) [424JMU](#) [PMD1206PTVX-A.U.GN](#) [PF80251B2-000U-F99](#)
[EF40101BX-1000U-G99](#) [AD1224LB-A71GL](#) [9GA0924L4021](#) [9GA0924M4021](#) [9GA0924M4011](#) [9GA0824B20011](#) [9GA0812A2D0011](#)
[9GA0912M4D011](#) [9GA0924W4D01](#)