

Max. 56 m³/h

DC axial fans

□ 60 x 25 mm



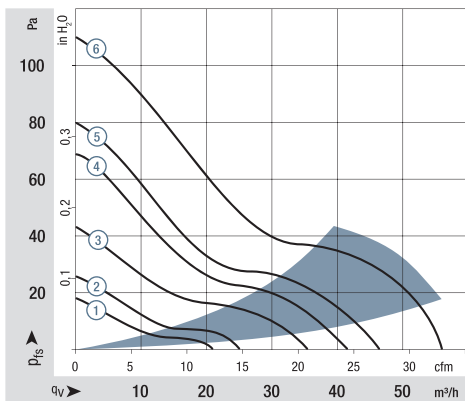
- **Material:** Housing: GRP¹⁾ (PBT)
Impeller: GRP¹⁾ (PA)
 - **Direction of air flow:** Exhaust over struts
 - **Direction of rotation:** Clockwise, looking towards rotor
 - **Connection:** Via single wires AWG 22, TR 64
 - **Highlights:** Some models are suitable for use at high ambient temperatures up to 85 °C.
 - **Weight:** 66 g
- **Possible special versions:** (See chapter DC fans - specials)
 - Speed signal
 - Go / NoGo alarm
 - Moisture protection
 - Degree of protection: IP 54 / IP 68

1) Fiberglass-reinforced plastic

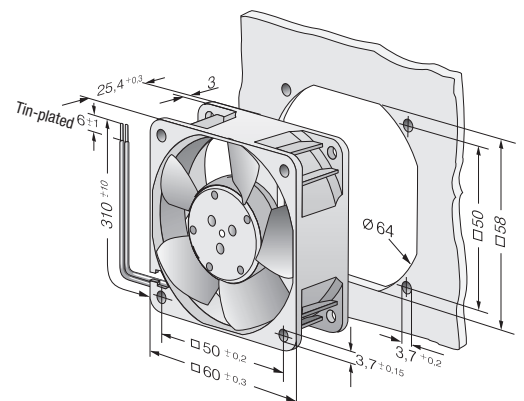
Series 600 N

Nominal data

Type	Air flow		Nominal voltage	Voltage range	Sound pressure level	Sound power level	Sinter sleeve bearings Ball bearings	Power consumption	Nominal speed	Temperature range	Service life L ₁₀ (40 °C) ebm-papst standard	Service life L ₁₀ (T _{max}) ebm-papst standard	Life expectancy L ₁₀ (IPC (40 °C) see page 17	Curve
	m ³ /h	cfm												
612 NGLE	21	12.4	12	8...15	16	3.6	■	0.6	2 500	-20...+85	80 000 / 27 500	135 000	①	
612 NLE	21	12.4	12	8...15	16	3.6	■	0.4	2 500	-20...+85	80 000 / 27 500	135 000	①	
612 NGMLE	25	14.7	12	8...15	19	3.9	■	0.7	3 000	-20...+80	80 000 / 32 500	135 000	②	
612 NMLE	25	14.7	12	8...15	19	3.9	■	0.4	3 000	-20...+85	80 000 / 27 500	135 000	②	
612 NGME	35	20.6	12	8...15	28	4.6	■	1.2	4 100	-20...+75	80 000 / 35 000	135 000	③	
612 NME	35	20.6	12	8...15	28	4.6	■	0.8	4 100	-20...+75	80 000 / 35 000	135 000	③	
612 NN	42	24.7	12	8...15	35	5.0	■	1.5	5 100	-20...+70	70 000 / 35 000	117 500	④	
612 NH	43	25.3	12	8...15	37	5.3	■	1.8	5 600	-20...+70	70 000 / 35 000	117 500	⑤	
612 NHH-118	56	33.0	12	8...15	41	5.7	■	2.9	6 800	-20...+70	60 000 / 30 000	102 500	⑥	
614 NGL	21	12.4	24	18...28	16	3.6	■	1.0	2 500	-20...+70	80 000 / 40 000	135 000	①	
614 NL	21	12.4	24	18...28	16	3.6	■	0.8	2 500	-20...+70	80 000 / 40 000	135 000	①	
614 NGML	25	14.7	24	18...28	19	3.9	■	1.2	3 000	-20...+70	80 000 / 40 000	135 000	②	
614 NML	25	14.7	24	18...28	19	3.9	■	1.0	3 000	-20...+70	80 000 / 40 000	135 000	②	
614 NGM	35	20.6	24	18...28	28	4.6	■	1.7	4 100	-20...+70	80 000 / 40 000	135 000	③	
614 NM	35	20.6	24	18...28	28	4.6	■	1.3	4 100	-20...+70	80 000 / 40 000	135 000	③	
614 NN	42	24.7	24	18...28	35	5.0	■	1.8	5 100	-20...+70	70 000 / 35 000	117 500	④	
614 NH	43	25.3	24	18...26	37	5.3	■	2.1	5 600	-20...+70	70 000 / 35 000	117 500	⑤	
614 NHH	56	33.0	24	18...26	41	5.7	■	2.9	6 850	-20...+70	60 000 / 30 000	102 500	⑥	
614 NHH-119	56	33.0	24	18...28	41	5.7	■	2.9	6 850	-20...+70	60 000 / 30 000	102 500	⑥	
618 NM	35	20.6	48	36...56	28	4.6	■	1.9	4 100	-20...+70	80 000 / 40 000	135 000	③	
618 NN	42	24.7	48	36...56	35	5.0	■	2.1	5 100	-20...+65	70 000 / 40 000	117 500	④	



Air performance measured according to: ISO 5801.
Installation category A, without contact protection.
Noise: Total sound power level L_{WA} ISO 103002 measured on a hemisphere with a radius of 2 m.
Sound pressure level L_{pA} measured at 1 m distance from fan axis.
The values given are applicable only under the specified measuring conditions and may differ depending on the installation conditions.
In the event of deviation from the standard configuration, the parameters must be checked after installation!
For detailed information see <http://www.ebmpapst.com/general conditions>



X-ON Electronics

Largest Supplier of Electrical and Electronic Components

Click to view similar products for [DC Fans](#) category:

Click to view products by [ebm papst](#) manufacturer:

Other Similar products are found below :

[614R](#) [6424/2HP-210](#) [8312R](#) [DV4118/2NP-183](#) [AFB0948HH-S687](#) [PFB0824DHE-8B72](#) [G2E085-AA05-10](#) [RD20S-4/210660](#) [4318/12T](#)
[4418HH](#) [AUB0912H-F00](#) [3412N/2ME](#) [K2E225-RA92-09](#) [4184N/2XR](#) [5214N2HH](#) [614J2HHPR-010](#) [8412NGL-12](#) [4114N/12HHR-297](#)
[4656](#) [ZWR-903](#) [4112N12GL-175](#) [KD2406PKB2.\(2\).GN](#) [AFB1248HHE](#) [AFB1212LE-F00](#) [FAN-SCH-1](#) [MF60151V1-1000U-G99](#)
[PF80252V1-1000U-G99](#) [PF92252V1-1000U-G99](#) [4112N/2H6P](#) [4114N/17-251](#) [6212NH](#) [622/2N](#) [712F-011](#) [8218J/2NP-181](#) [W1G180-AB47-](#)
[15](#) [FAA1-12038NBKW31-A](#) [6318N/2TDP](#) [6318N/2H3PU](#) [6318HU](#) [424JMU](#) [PMD1206PTVX-A.U.GN](#) [PF80251B2-000U-F99](#)
[EF40101BX-1000U-G99](#) [AD1224LB-A71GL](#) [9GA0924L4021](#) [9GA0924M4021](#) [9GA0924M4011](#) [9GA0824B20011](#) [9GA0812A2D0011](#)
[9GA0912M4D011](#) [9GA0924W4D01](#)