

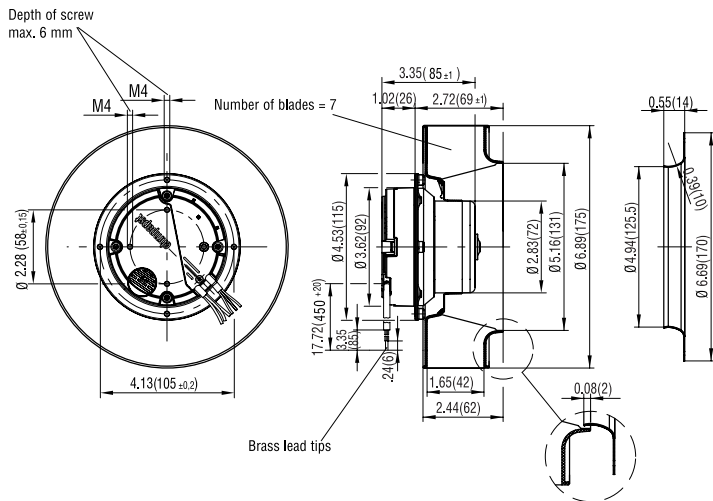
R3G175 Series Motorized Impeller

Ø 175mm Backward Curved, EC-i



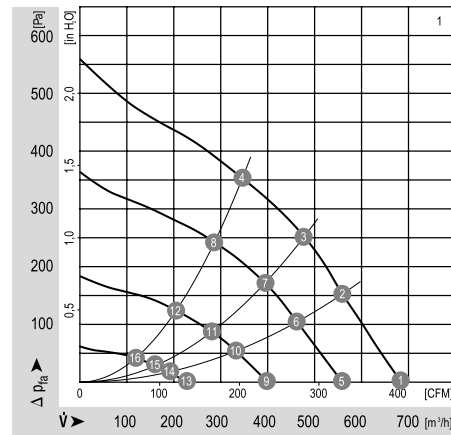
- Backward curved centrifugal fan features integrated electronics, extremely low noise and minimal heat generation.
- Variable mounting position.
- Impeller completely made of plastic PA 6.6.
- Maintenance-free ball bearings.
- IP 44 protection type.
- Cable exit: variable.
- Technical features: integrated electronics, PWM/Lin input, speed output.
- UL and CSA in preparation.
- Recommended inlet ring: 9576-2-4013.

Part Number	Curve	CFM @ 0	VAC	Hertz	Power (W)	dB(A)	Max Amb. Temp C	Bearing Type	Features	Speed (RPM)	Weight (lbs)
R3G175-AF01-02	1	403.2	230	50/60	67	72	60	Ball	Leads	3900	2.65



	n [RPM]	P _i [W]	η _{LL} [%]	Lp _A [dBA]		n [RPM]	P _i [W]	η _{LL} [%]	Lp _A [dBA]
1 1	3900	67	—	72	1 9	2270	17	—	59
1 2	3770	78	45	67	1 10	2240	20	38	54
1 3	3770	78	57	66	1 11	2240	20	51	50
1 4	3750	79	52	65	1 12	2240	21	50	50
1 5	3180	38	—	65	1 13	1310	6	—	45
1 6	3110	45	39	61	1 14	1300	7	40	40
1 7	3120	46	53	58	1 15	1290	7	53	37
1 8	3110	47	51	56	1 16	1290	7	54	35

Curve



X-ON Electronics

Largest Supplier of Electrical and Electronic Components

Click to view similar products for [AC Fans](#) category:

Click to view products by [ebm papst](#) manufacturer:

Other Similar products are found below :

[M2E068-DF13-79](#) [F1238H24B-FHR](#) [8850A](#) [G9225S05B2-FSR](#) [A2D200-AA04-41](#) [A2E165-AA17-01](#) [R2D140-AB02-14](#) [R4D310-AS18-01](#)
[R4D400-AD22-06](#) [R4E180-AS11-09](#) [AD0912HB-A7BGL](#) [1500-FAN-01](#) [25.001.1856.0](#) [25.320.1153.1](#) [25.320.1353.1](#) [25.320.4753.1](#)
[25.320.5453.1](#) [25.330.1353.1](#) [25.330.4853.1](#) [25.330.5153.1](#) [25.330.5353.1](#) [25.340.1053.1](#) [25.350.5253.0](#) [25.600.4053.0](#) [272DL-2LP11-000](#)
[S2E250-AL06-70](#) [A2D210-AB10-05](#) [A2D240-AA02-02](#) [A2D250-AE22-06](#) [A2E170-AF23-01](#) [F1238S24BT-FSR](#) [25.000.1856.0](#)
[25.000.2056.0](#) [25.010.1856.0](#) [25.220.3953.1](#) [25.332.2453.1](#) [25.340.0453.1](#) [25.345.5353.0](#) [25.352.1853.0](#) [281DS-2LP11-000B](#) [281DY-](#)
[1LP14-000B](#) [298DM-2LP11-000](#) [298DS-2LP11-000A](#) [R2S150-AD08-09](#) [344DY-1LP11-000](#) [39.703.0253.0](#) [USTF1203224VHW](#)
[3G2C7MC224](#) [W2D200-HH04-07](#) [W2D300-CP02-48](#)