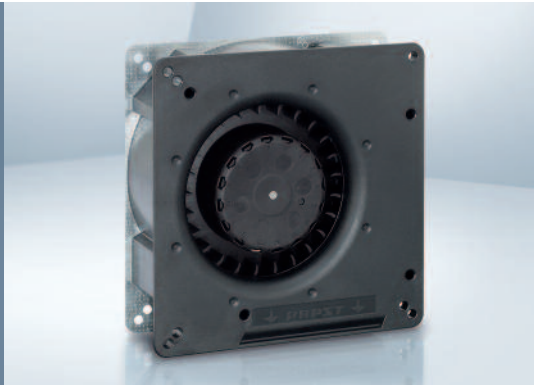


Max. 54 m<sup>3</sup>/h

# AC centrifugal fans

□ 135 x 38 mm



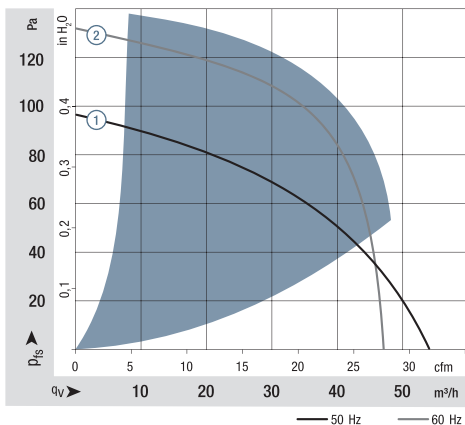
- **Material:** Scroll housing: GRP<sup>1)</sup> (PBT)  
Impeller: GRP<sup>1)</sup> (PA)  
Housing base: Sheet steel
  - **Direction of air flow:** Centrifugal: discharge through window in housing
  - **Direction of rotation:** Clockwise, looking towards rotor
  - **Connection:** To 2 single wires AWG 22.
  - **Highlights:** Forward-curved impeller
  - **Weight:** 560 g
- **Possible special versions:** (See page 12)
    - Moisture protection
    - Salt spray protection
    - Degree of protection: IP 54

1) Fiberglass-reinforced plastic

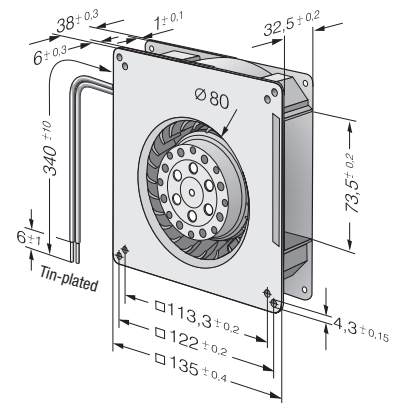
## Series RG 90

Nominal data	Air flow		Nominal voltage	Frequency	Sound power level	Sinter sleeve bearings		Power consumption	Nominal speed	Temperature range	Service life L <sub>10</sub>		Curve
	m <sup>3</sup> /h	cfm				VAC	Hz				Bel(A)	□ / ■	
RG 90-18/50	54	32	230	50	5.8	□	22.0	2 200	-30...+60	35 000 / 22 500	①		
RG 90-18/56	54	32	230	50	5.8	■	22.0	2 200	-30...+60	35 000 / 22 500	①		
RG 90-18/00	47	28	115	60	6.2	□	22.0	1 900	-30...+65	35 000 / 20 000	②		
RG 90-18/06	47	28	115	60	6.2	■	22.0	1 900	-30...+65	35 000 / 20 000	②		

Subject to change



Air performance measured according to: ISO 5801.  
Installation category A, without contact protection.  
Noise: Total sound power level L<sub>WA</sub> ISO 103002 measured on a hemisphere with a radius of 2 m.  
Sound pressure level L<sub>pA</sub> measured at 1 m distance from fan axis.  
The values given are applicable only under the specified measuring conditions and may differ depending on the installation conditions.  
In the event of deviation from the standard configuration, the parameters must be checked after installation!  
For detailed information see [http://www.ebmpapst.com/general\\_conditions](http://www.ebmpapst.com/general_conditions)



## X-ON Electronics

Largest Supplier of Electrical and Electronic Components

*Click to view similar products for [Blowers](#) category:*

*Click to view products by [ebm papst](#) manufacturer:*

Other Similar products are found below :

[G2E120-CR21-13](#) [R2D160-AC02-13](#) [R2D220-AA24-13](#) [RLF35-812N2P-103](#) [KFB1724VHT-AF00](#) [D4E133-AA01-51](#) [D4E133-DH61-D1](#)  
[D4E180-BA04-18](#) [Z4.802.1680.0](#) [R3G280-AK54-01](#) [G3G120-BB13-02](#) [1398425-1](#) [R2D225-AV02-14](#) [D2E146-HT67-63](#) [BFB0524HH-R00](#)  
[R3G133-AE17-02](#) [D4E225-BC01-23](#) [R3G190-AB23-02](#) [RER101-36/14N/2HHA-184](#) [G3G160-AC70-01](#) [R3G250-AM70-01](#) [R2E160-AY47-](#)  
[10](#) [R2E180-AS77-40](#) [R87B-PF01](#) [R87F-A3A83H](#) [R87F-A4A15MP](#) [R87T-A6A07H](#) [MF50151VX-B00U-A99](#) [BFB0512HH-T50F](#)  
[BFB0712H](#) [109BD12HA2](#) [109BD24HD2](#) [109BF12MA2](#) [109BF12MC2](#) [109BF24HA2](#) [109BF24HC2](#) [109BD12MC2](#) [109BF12HA2](#)  
[109BF12HC2](#) [109BF24HD2](#) [R3G280-AF45-81](#) [BFB0724H-T500](#) [R87F-A3A15HP](#) [R87F-A4A93HP](#) [R87F-A3A93HP](#) [R2E140-AS77-05](#)  
[R2E180-AS77-22](#) [R2E180-CB28-01](#) [14539GA-12N-AA-00](#) [R87F-A1A85HP](#)