



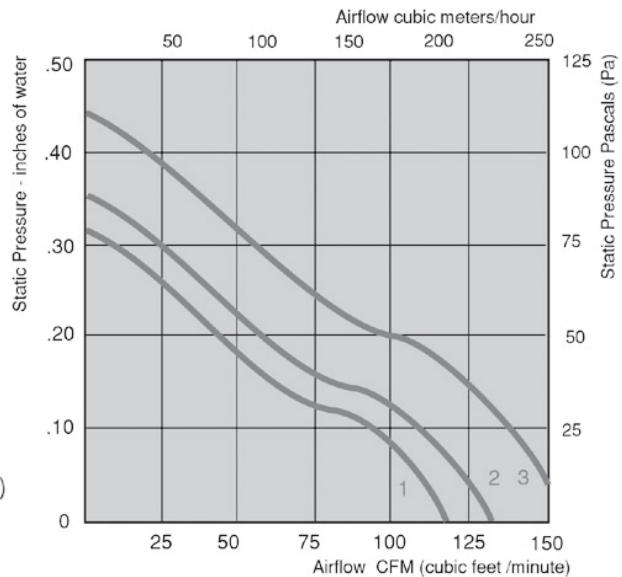
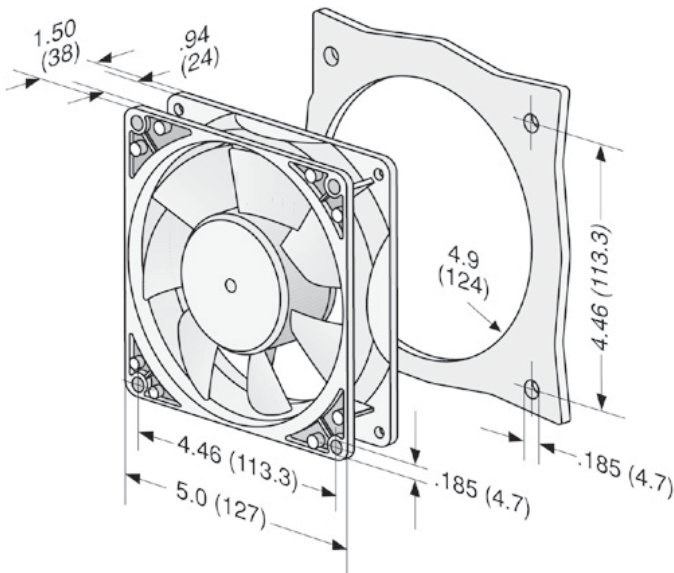
W2G115 Series

Tubeaxial

127x127x38mm

- DC fans with electronically commutated external rotor motor. Fully integrated commutation electronics.
- With electronic protection against reverse polarity and locked-rotor.
- Mounting from either face using four 4.7 mm holes.
- Die-cast aluminum housing. Impeller of sheet-steel, directly welded onto rotor and stove-enameled.
- Air exhaust over struts. Rotational direction CCW looking at rotor.
- Electrical connection via 2 flat pins 2.8 x 0.8 mm.
- UL, CSA, VDE approvals on some models, please contact application engineering.

Part Number	Curve	CFM @ 0	VDC	Volt. Range	Power (W)	dBA	Max Amb. Temp C	Bearing Type	Features	Wgt. (lbs)
W2G115-AD15-01	1	118	12	8 to 16	4.5	44	72	Ball	Leads	1.31
W2G115-AD15-13	1	118	12	8 to 16	4.5	44	72	Ball	Terminals	1.31
W2G115-AE53-01	2	130	12	8 to 16	5.9	48	72	Ball	Leads	1.56
W2G115-AE53-13	2	130	12	8 to 16	5.9	48	72	Ball	Terminals	1.56
W2G115-AD17-01	1	118	24	18 to 30	4.7	44	72	Ball	Leads	1.31
W2G115-AD17-13	1	118	24	18 to 30	4.7	44	72	Ball	Leads	1.31
W2G115-AE31-01	2	130	24	18 to 30	5.7	48	72	Ball	Leads	1.56
W2G115-AE31-13	2	130	24	18 to 30	5.7	48	72	Ball	Terminals	1.56
W2G115-AG71-01	3	160	24	16 to 28	12.0	52	72	Ball	Leads	1.56
W2G115-AG71-09	3	160	24	16 to 28	12.0	52	72	Ball	Terminals	1.56
W2G115-AG71-12	3	160	24	16 to 28	12.0	52	72	Ball	Terminals	1.56
W2G115-AD19-01	1	118	48	36 to 56	4.6	44	72	Ball	Leads	1.31



X-ON Electronics

Largest Supplier of Electrical and Electronic Components

Click to view similar products for [DC Fans](#) category:

Click to view products by [ebm papst](#) manufacturer:

Other Similar products are found below :

[614R](#) [6424/2HP-210](#) [8312R](#) [DV4118/2NP-183](#) [AFB0948HH-S687](#) [PFB0824DHE-8B72](#) [G2E085-AA05-10](#) [RD20S-4/210660](#) [4318/12T](#)
[4418HH](#) [AUB0912H-F00](#) [3412N/2ME](#) [K2E225-RA92-09](#) [4184N/2XR](#) [5214N2HH](#) [614J2HHPR-010](#) [8412NGL-12](#) [4114N/12HHR-297](#)
[4656](#) [ZWR-903](#) [4112N12GL-175](#) [KD2406PKB2.\(2\).GN](#) [AFB1248HHE](#) [AFB1212LE-F00](#) [FAN-SCH-1](#) [MF60151V1-1000U-G99](#)
[PF80252V1-1000U-G99](#) [PF92252V1-1000U-G99](#) [4112N/2H6P](#) [4114N/17-251](#) [6212NH](#) [622/2N](#) [712F-011](#) [8218J/2NP-181](#) [W1G180-AB47-](#)
[15](#) [FAA1-12038NBKW31-A](#) [6318N/2TDP](#) [6318N/2H3PU](#) [6318HU](#) [424JMU](#) [PMD1206PTVX-A.U.GN](#) [PF80251B2-000U-F99](#)
[EF40101BX-1000U-G99](#) [AD1224LB-A71GL](#) [9GA0924L4021](#) [9GA0924M4021](#) [9GA0924M4011](#) [9GA0824B20011](#) [9GA0812A2D0011](#)
[9GA0912M4D011](#) [9GA0924W4D01](#)