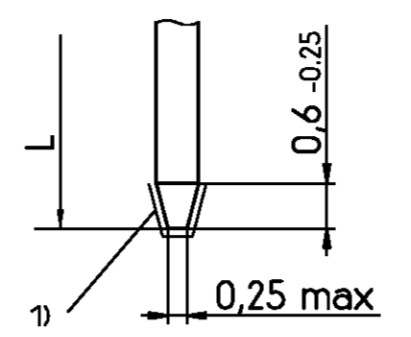


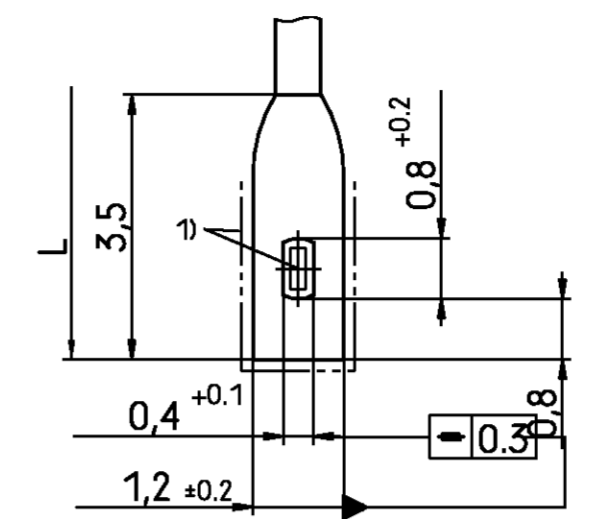
V42254 - B7\*\*\* - C9\*\*

Termination Style

Solder/Wire-Wrap pins



Solder lug



1) Cutting edges not plated  
Terminations with galvanic Sn plating

Termination Style	L	
	3	-0.4 00
	2.9 ±0.3	01
	4.5 ±0.3	02
	13 ±0.5	40
	11 ±0.5	41
	17 ±0.5	42
Solder lugs	5.5 ±0.3	35
	10	-0.5

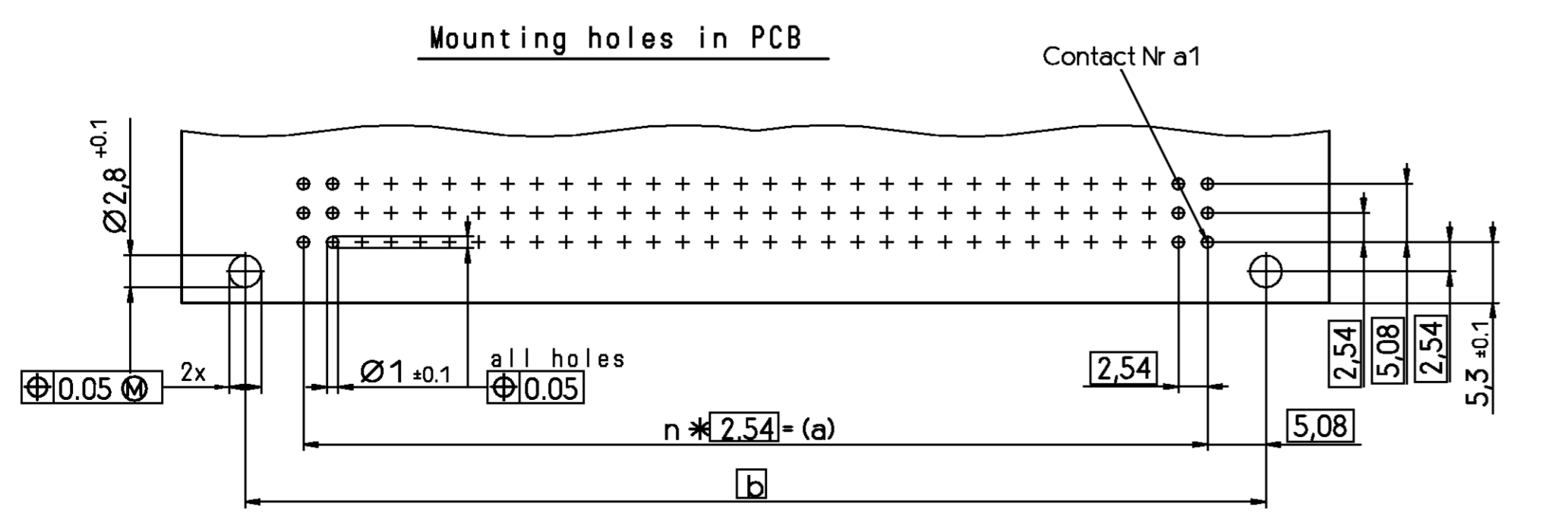
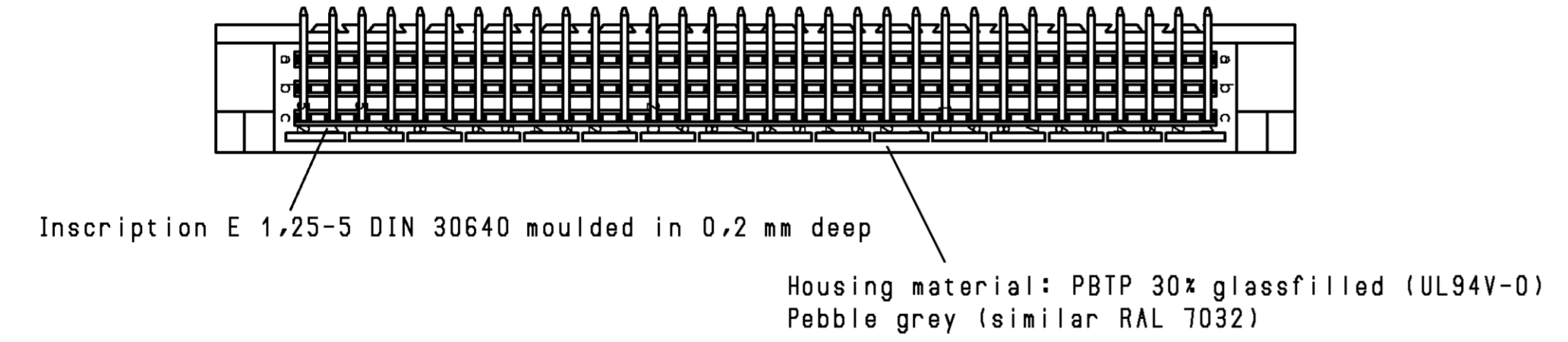
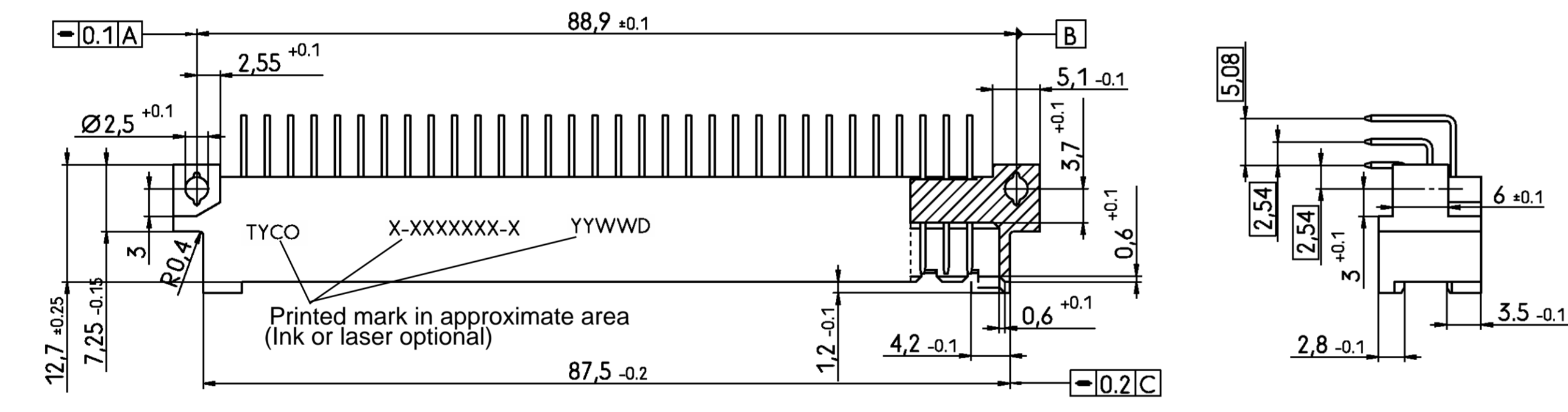
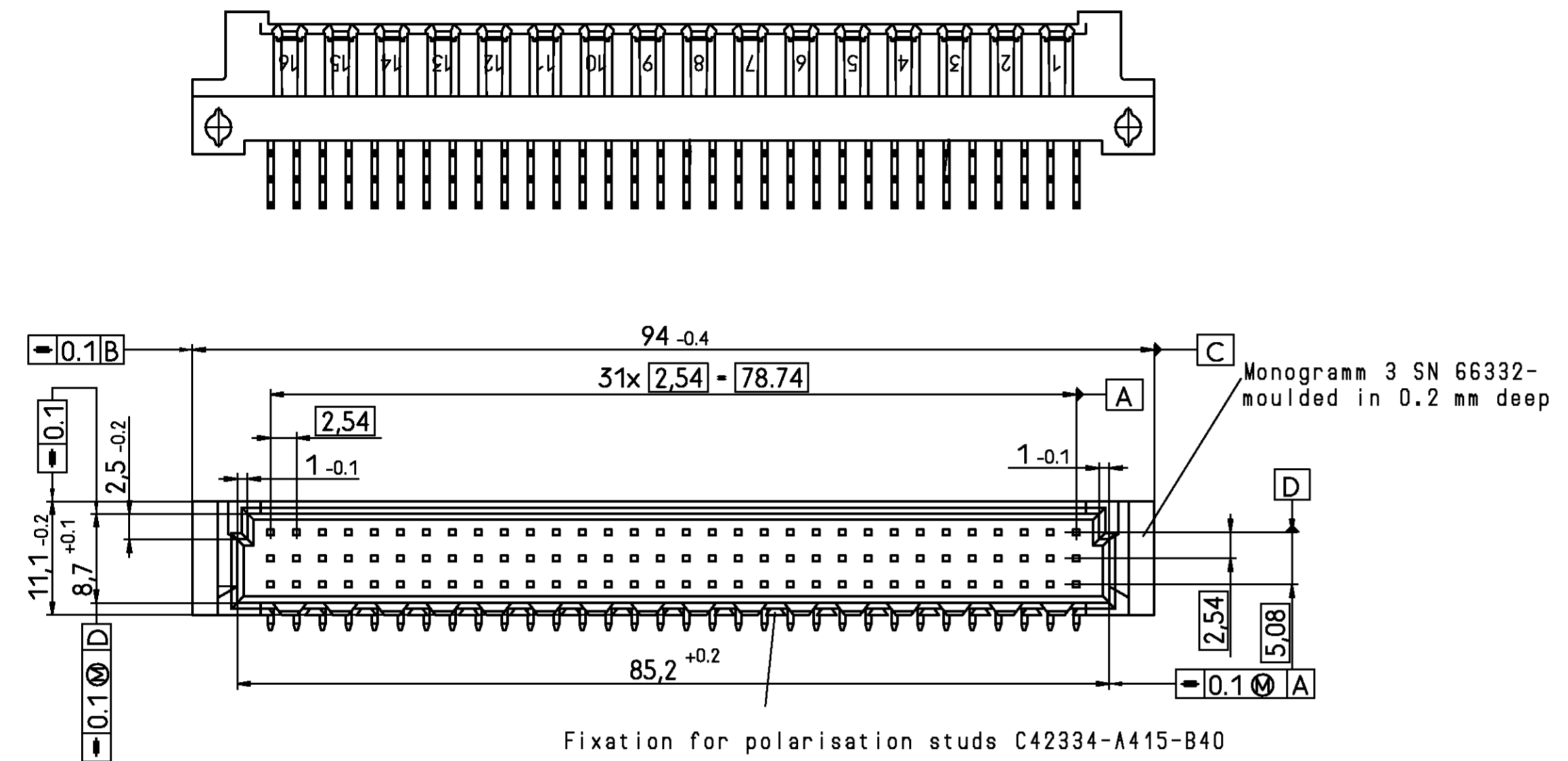
Contact assignment	
0	every row / every pitch
1	row a / every pitch
2	row a+b / every pitch
3	row a+c / every pitch
5	every row / every even pitch
6	row a / every even pitch
7	row a+b / every even pitch
8	row a+c / every even pitch

Version	
1	with board locks for 1,6mm PCB
3	with standard pre-mating *)
5	with board locks for 1,6mm PCB and with standard pre-mating *)
6	basic version

\*) first and last contact of each loaded row is a pre-mating contact

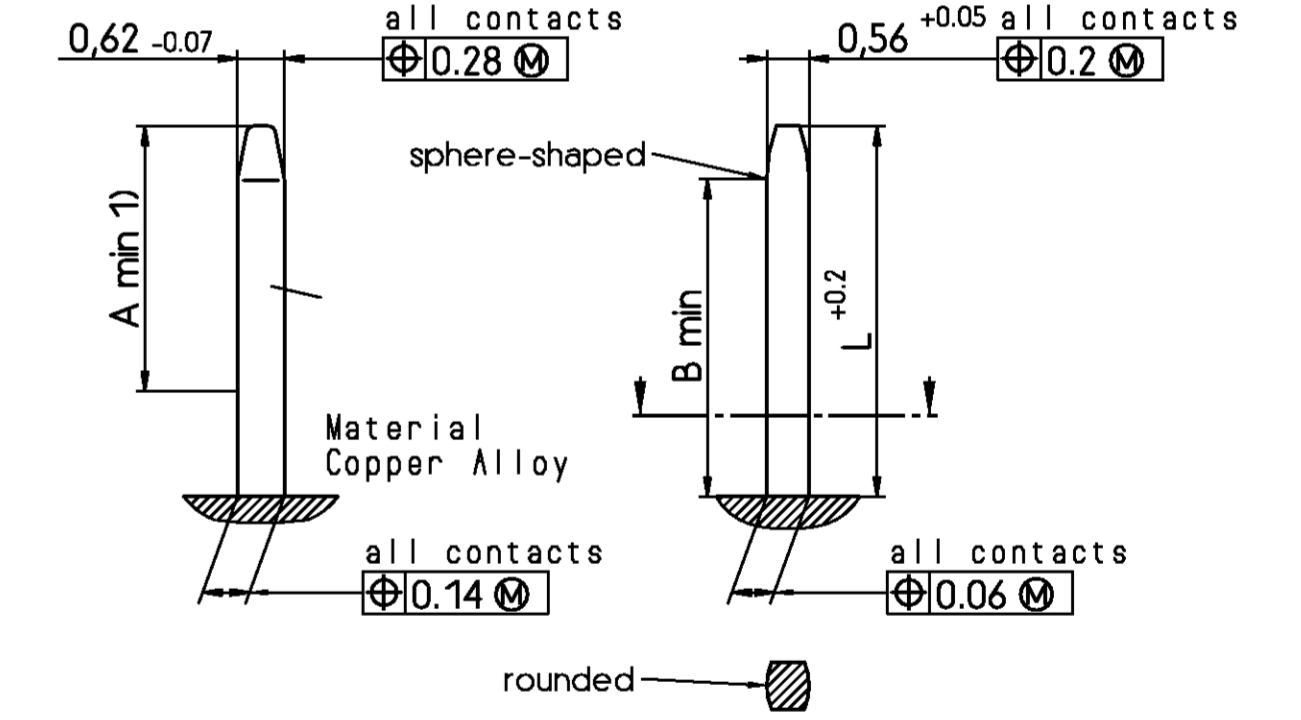
Performance level	Plating thickness in reference area	
	Noble metals	
Class I	Pd + Au or Au	1
	Au	4
Class II	Pd + Au or Au	2
	Au	5
Class III	Pd + Au or Au	3

Nickel underlayer :  
Protection film : HF-grease



Type	n	a	b
C	31	78.74	88.9

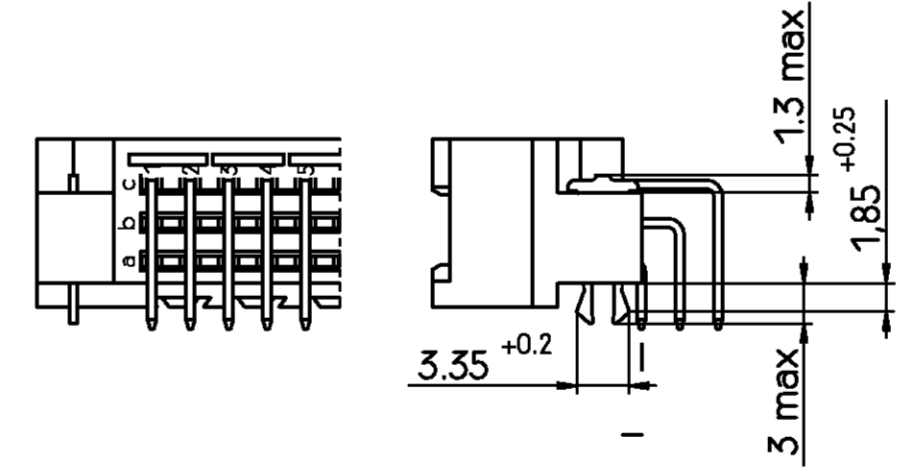
Contact: Dimensions, plating, material, pre-mating



1) Reference area for plating thickness as used in table

	L	A	B
normal contacts	4.8	3.5	4.2
pre-mating contacts	5.8	4.5	5.2

Male connector with board locks



Mounted in PC-boards of 1.5 to 1.8 mm  
Fm < 60 N  
Fr >= 20 N  
Fr >= 200 N, wenn soldered-in

Fm = Mounting force (for 1 connector = 2 Clips)

Fr = Retention force (for 1 connector = 2 Clips)

Mounted in PC-boards over 1.8 mm  
Fm < 60 N  
Fr >= 16 N

TE Connectivity

SCALE: DIMENSIONS IN MM

REV.	CHANGE ORDER	DATE	APP.	CUSTOMER DRAWING NO.
D	ECO-17-002173	10MAR2017	SY	DATE 11.01.96
C3	ECR-10-004503	13SEP11	MKO	NAME Cuvelier
C2	ECR-10-003044	01JUN10	MKO	DEP. PD.COM
C1	SR10-0177-03	18 JUN 03	KV	
C	SR10-0275-01	22.06.01	BC	
B	SR10-0156-01	18.04.01	BC	TOLERANCE UNLESS SPECIFIED OTHERWISE
A	WO 007012	20.07.00	VS	
D1	WO 96/1019	11.01.96	CUV	

PART NAME: PIN Assembly Eurocard Type C

Coding version with pre-centering

PART NO.: V42254-B7\*\*\*-C9\*\*\*-7626

Customer Drawing No. C 9-1393646-3

SCALE: DIMENSIONS IN MM

WEIGHT

SHIT. 1+

OF 2


THIS INFORMATION IS CONFIDENTIAL AND PROPRIETARY TO TYCO ELECTRONICS CORPORATION AND ITS WORLDWIDE SUBSIDIARIES AND AFFILIATES. IT MAY NOT BE DISCLOSED TO ANYONE, OTHER THAN TYCO ELECTRONICS PERSONNEL, WITHOUT WRITTEN AUTHORIZATION FROM TYCO ELECTRONICS CORPORATION, HARRISBURG, PENNSYLVANIA, USA.

PROPRIETARY:

Old Part Number	TE Part Number	Style & Number of Positions	Termination Posts	Loaded Rows	Standard Pre-Mating (mm)	Performance Level	Board Locks
V42254-B7100-C990	9-1393646-9	C96	right-angle solder leads	every row , every pitch	Yes 1	No	OBSOLETE
V42254-B7100-C993	9-1393646-9	C96	right-angle solder leads	row atc , every pitch	Yes 1	No	SUPERSEDED BY 9-1393646-4
V42254-B7100-C998	9-1393646-0	C96	right-angle solder leads	row atc , every even pitch	Yes 1	No	OBSOLETE
V42254-B7200-C990	9-1393646-0	C96	right-angle solder leads	every row , every pitch	Yes 2	No	
V42254-B7200-C993	9-1393646-4	C96	right-angle solder leads	row atc , every pitch	Yes 2	No	
V42254-B7200-C995	9-1393646-5	C96	right-angle solder leads	row atc , every even pitch	Yes 2	No	
V42254-B7200-C950	9-1393646-6	C96	right-angle solder leads	every row , every even pitch	Yes 2	No	OBSOLETE
V42254-B7200-C953	9-1393646-7	C96	right-angle solder leads	row atc , every pitch	Yes 2	Yes	

1) First and last contact of each loaded row is a pre-mating (make first / break last) contact.

Active part numbers.  
Contact TE for other configuration availability

 TE Connectivity		SCALE		WEIGHT	
MATERIAL		DIMENSIONS IN MM		PART NAME	
DATE	11/01/96	PART NAME		PIN Assembly Eurocard Type C	
NAME	Cuvellier	Coding version with pre-centering		PART NO.	
DEP	PD COM	PART NO.		V42254-B7***-C9***-7626	
TOLERANCE UNLESS SPECIFIED OTHERWISE		SHT.		2.	
C3 see page 1		REV.		OF 2	
REV.	CHANGE ORDER	DATE	APP.	Customer Drawing Nr. C 9-1393646-3	

## X-ON Electronics

Largest Supplier of Electrical and Electronic Components

*Click to view similar products for [DIN 41612 Connectors](#) category:*

*Click to view products by [TE Connectivity](#) manufacturer:*

Other Similar products are found below :

[09231126901](#) [PCN10F-24P-2.54DS\(72\)](#) [004.767](#) [02221602702](#) [024069](#) [602427301412000](#) [013275](#) [691327-1](#) [74670-0732](#) [74680-0340](#)  
[75880-0015](#) [76453-0014](#) [86093159ALF](#) [923454](#) [QLC260R](#) [120X10099X](#) [120X10019X](#) [120X10089X](#) [120X10129X](#) [121A10039X](#)  
[121A10309X](#) [122A10019X](#) [122A10029X](#) [122A10249X](#) [122A10669X](#) [122A11089X](#) [122A13089X](#) [121B10409X](#) [122A10089X](#)  
[122A10129X](#) [122A10349X](#) [122A13359X](#) [1377391-4](#) [DIN-048CPC-SR1-MH](#) [1393583-2](#) [1393726-7](#) [140X10059X](#) [140X10129X](#) [143-1913-](#)  
[000](#) [143-1908-000](#) [1484472-1](#) [173052](#) [2110070-1](#) [2110070-2](#) [CBC20T00-008FDS5-0-1-002VR](#) [983-0SE12-12P6](#) [17041102202](#) [172699-](#)  
[5036](#) [173051](#) [20](#) [8457096](#) [010](#) [025](#)