

Bus coupler - IBS IL 24 BK-LK-2MBD-PAC - 2862068

Please be informed that the data shown in this PDF Document is generated from our Online Catalog. Please find the complete data in the user's documentation. Our General Terms of Use for Downloads are valid (<http://phoenixcontact.com/download>)



Inline, Bus coupler, INTERBUS remote bus, F-SMA connector, Transmission speed in the local bus 2 MBit/s, Degree of protection IP20, including Inline connector and labeling field

Product Features

- Remote bus connections using fiber optic technology
- Optical path diagnostics



Key Commercial Data

Packing unit	1 pc
Weight per Piece (excluding packing)	314.8 g
Custom tariff number	85389091
Country of origin	Germany

Technical data

Note

Utilization restriction	EMC: class A product, see manufacturer's declaration in the download area
-------------------------	---

Dimensions

Width	85 mm
Height	119.8 mm
Depth	71.5 mm

Ambient conditions

Ambient temperature (operation)	-25 °C ... 55 °C
Ambient temperature (storage/transport)	-25 °C ... 85 °C
Permissible humidity (operation)	75 % ... 85 %
Permissible humidity (storage/transport)	75 % ... 85 %
Air pressure (operation)	80 kPa ... 106 kPa (up to 3000 m above sea level)

Bus coupler - IBS IL 24 BK-LK-2MBD-PAC - 2862068

Technical data

Ambient conditions

Air pressure (storage/transport)	70 kPa ... 106 kPa (up to 3000 m above sea level)
Degree of protection	IP20

General

Mounting type	DIN rail
Net weight	220 g
Note on weight specifications	Without plug

Interfaces

Fieldbus system	INTERBUS
Designation	INTERBUS
Connection method	F-SMA connector
Transmission speed	2 MBit/s
Transmission physics	FO
Fieldbus system	Lokalbus
Designation	Inline local bus
Connection method	Inline data jumper
Transmission speed	2 MBit/s

System limits of the bus coupler

Number of local bus devices that can be connected	63
Number of devices with parameter channel	62
Number of supported branch terminals with remote bus branch	max. 15

Power supply for module electronics

Connection method	Inline connector
Supply voltage	24 V DC (via Inline connector)
Supply voltage range	19.2 V DC ... 30 V DC (including all tolerances, including ripple)
Current consumption	max. 1.25 A (with max. number of connected I/O terminal blocks)

Inline potentials

Communications power U_L	7.5 V DC $\pm 5\%$
Power supply at U_L	max. 2 A DC (observe derating)
I/O supply voltage U_{ANA}	24 V DC -15 % / +20 %
Power supply at U_{ANA}	max. 0.5 A DC (observe derating)

Standards and Regulations

Test section	7.5 V logics supply, 24 V analog supply, 24 V bus terminal module supply/ functional earth ground 500 V AC 50 Hz 1 min.
--------------	--

Bus coupler - IBS IL 24 BK-LK-2MBD-PAC - 2862068

Classifications

eCl@ss

eCl@ss 4.0	27250203
eCl@ss 4.1	27250203
eCl@ss 5.0	27250203
eCl@ss 5.1	27242608
eCl@ss 6.0	27242608
eCl@ss 7.0	27242608
eCl@ss 8.0	27242608

ETIM

ETIM 2.0	EC001434
ETIM 3.0	EC001604
ETIM 4.0	EC001604
ETIM 5.0	EC001604

UNSPSC

UNSPSC 6.01	43172015
UNSPSC 7.0901	43201404
UNSPSC 11	43172015
UNSPSC 12.01	43201404
UNSPSC 13.2	43201404

Approvals

Approvals

Approvals

UL Listed / cUL Listed / cULus Listed

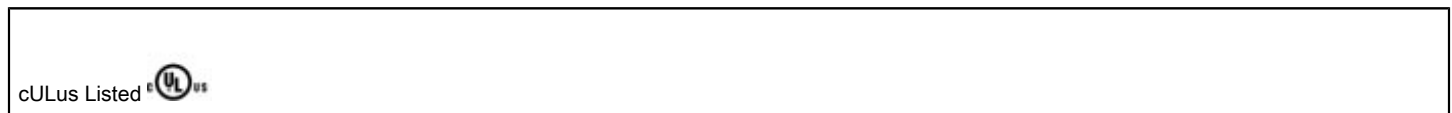
Ex Approvals

Approvals submitted

Approval details

Bus coupler - IBS IL 24 BK-LK-2MBD-PAC - 2862068

Approvals



Accessories

Accessories

End block

End clamp - E/UK - 1201442



End clamp, Width: 9.5 mm, Height: 35.3 mm, Length: 50.5 mm, Color: gray

Labeling panel

Labeling field - IB IL FIELD 2 - 2727501

Labeling field, width: 12.2 mm



Plug

Bus coupler - IBS IL 24 BK-LK-2MBD-PAC - 2862068

Accessories

Inline connector - IB IL SCN-8-CP - 2727608



Inline connector, colored

Terminal marking

Insert strip - ESL 62X10 - 0809492

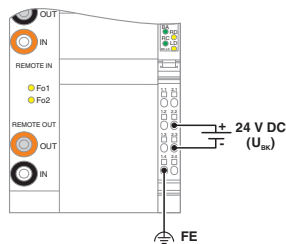


Insert strip, Sheet, white, unlabeled, can be labeled with: Office printing systems, Plotter: Laser printer, Mounting type: Insert, Lettering field: 62 x 10 mm

Drawings

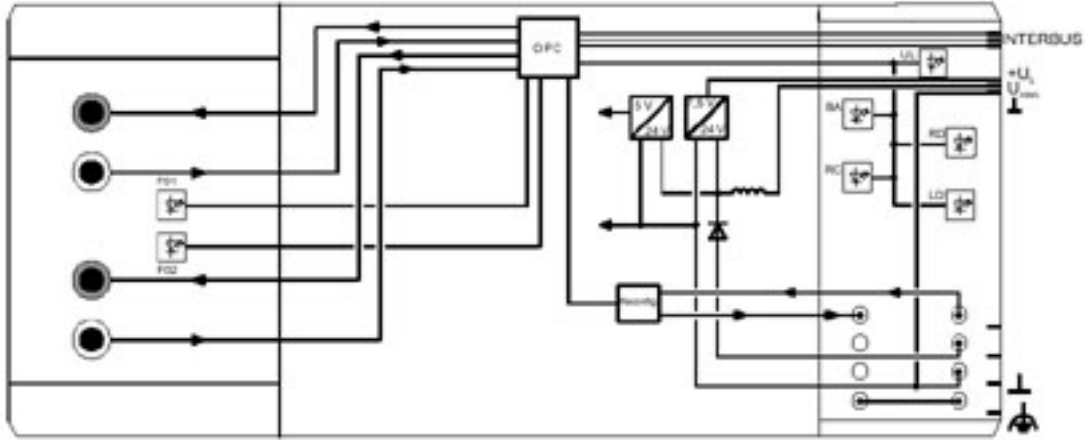
Dimensional drawing

Connection diagram



Bus coupler - IBS IL 24 BK-LK-2MBD-PAC - 2862068

Block diagram



X-ON Electronics

Largest Supplier of Electrical and Electronic Components

Click to view similar products for [Interface Modules](#) category:

Click to view products by [Phoenix Contact](#) manufacturer:

Other Similar products are found below :

[CYG2218](#) [FAB118](#) [8500-003](#) [IFD8520](#) [FAB100-RC](#) [20-101-1338](#) [cPCI-3544](#) [CYG2217](#) [CYG2320](#) [422CON](#) [ATX6022/14GP7](#)
[ATX6022/8](#) [AX93221-24/48](#) [cPCI-3538](#) [USB30-MIPI-TESTER-OV10640](#) [MTAC-LORA-H-915](#) [OPT8AP-AE](#) [60006-016](#) [96RMKVM-](#)
[19V1C-A](#) [60016-011](#) [60016-014](#) [60006-008](#) [60016-015](#) [60011-075](#) [LPCIE-3488A](#) [HPCI-14S12U](#) [cBP-3208](#) [cBP-3062A](#) [FAB205-6P5](#)
[FAB114](#) [ATX6022/6](#) [60016-012](#) [96RMKVM-17V1C-A](#) [BB-QCLDVDSV2-KIT](#) [MOS-1120Y-0201E](#) [96RMLCD-17V1-A](#) [96RMKVM-](#)
[17V8C-A](#) [60004-005](#) [60016-017](#) [60006-019](#) [60006-009](#) [60004-002C](#) [PCIE-1622B-BE](#) [60016-035](#) [60016-034](#) [60016-031](#) [60016-030](#) [60016-](#)
[026](#) [60016-025](#) [60016-024](#)