

REV.	MODIFICATION.	DATE	DRN
01	NEW DRAWING	30/05/06	NJB
02	CO2010977	26/08/10	TC
03	CO2011048	25/01/11	SF

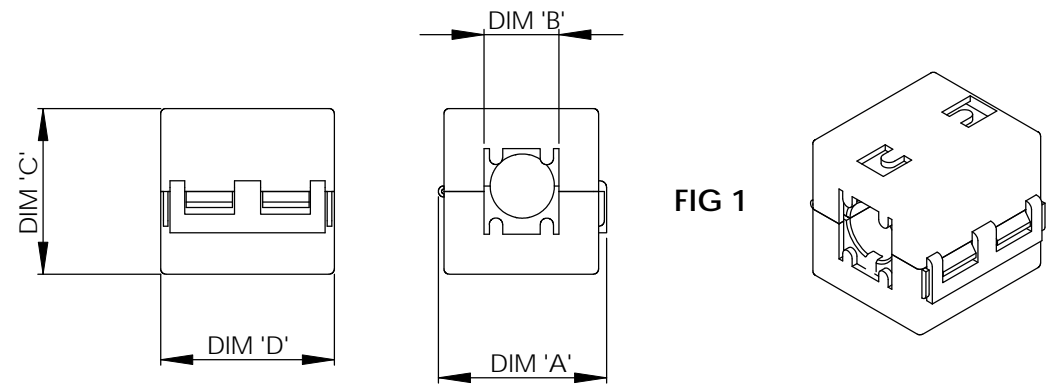


FIG 1

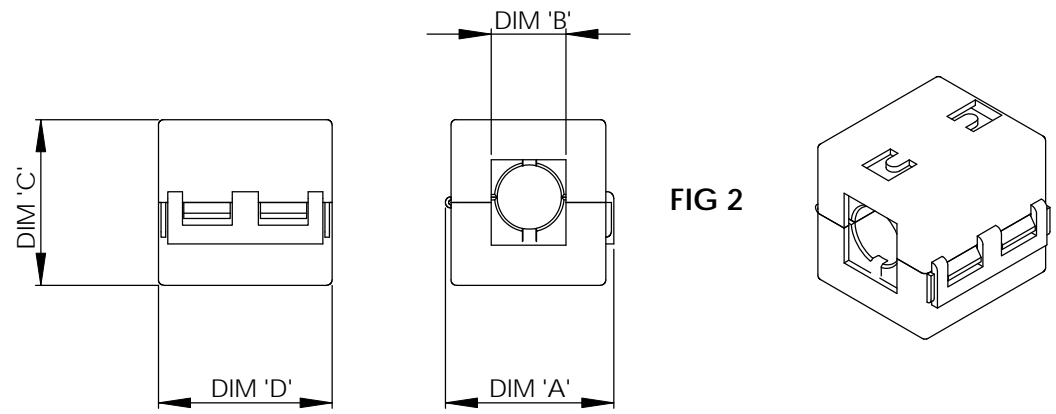
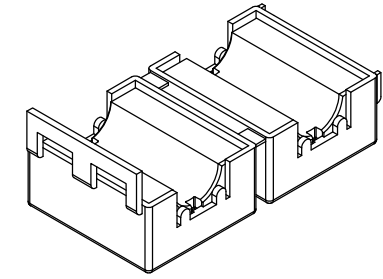


FIG 2



- NOTES.
- 1) See sheet 2 of 2 for Impedance graphs
 - 2) Impedance figures are typical values only
 - 3) Other sizes available by special order
 - 4) Packaging information is only a guide & subject to variation

Ferrite Material: A5 Casing Material: Black Flame Retardant Nylon 6/6 RMS-244

Part No	'A' Dim	'B' Dim	'C' Dim	'D' Dim	Impedance (Ohm)		Applicable Cable Max Dia	Standard Pack Pieces	Fig
					25 Mhz	100 Mhz			
RKCF-05-A5	15.00 ± 1.00	6.00 ± 1.00	14.00 ± 1.00	23.00 ± 1.00	105	170	5	104	1
RKCF-06-A5	20.50 ± 1.00	7.50 ± 1.00	20.00 ± 1.00	33.00 ± 1.00	180	275	6.5	56	1
RKCF-08-A5	20.50 ± 1.00	7.50 ± 1.00	20.00 ± 1.00	33.00 ± 1.00	130	260	8	56	2
RKCF-10-A5	25.50 ± 1.00	11.50 ± 1.00	23.50 ± 1.00	32.50 ± 1.00	130	240	10	48	1
RKCF-13-A5	31.50 ± 1.00	14.00 ± 1.00	31.50 ± 1.00	32.50 ± 1.00	150	250	13	32	1

Casing in White available by Special Order

Standard Pack sizes may vary

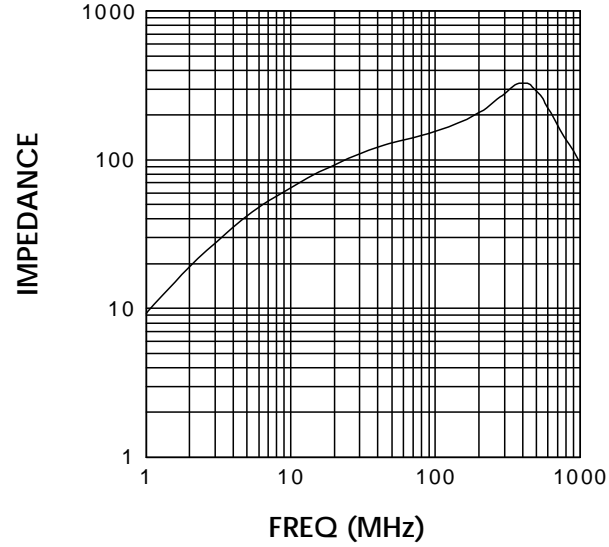
INFORMATION CONTAINED IN THIS DOCUMENT IS CONFIDENTIAL TO RICHCO INTERNATIONAL Co. Ltd. AND MAY NOT BE DISCLOSED OR REPRODUCED IN WHOLE OR PART WITHOUT THEIR WRITTEN CONSENT.

RICHCO, INC. WWW.RICHCO-INC.COM	ALL DIMENSIONS IN MM GENERAL TOLERANCES ±0.25 UNLESS OTHERWISE STATED 1 DECIMAL PLACE ± 2 DECIMAL PLACES ± ANGULAR ±1°	THIRD ANGLE

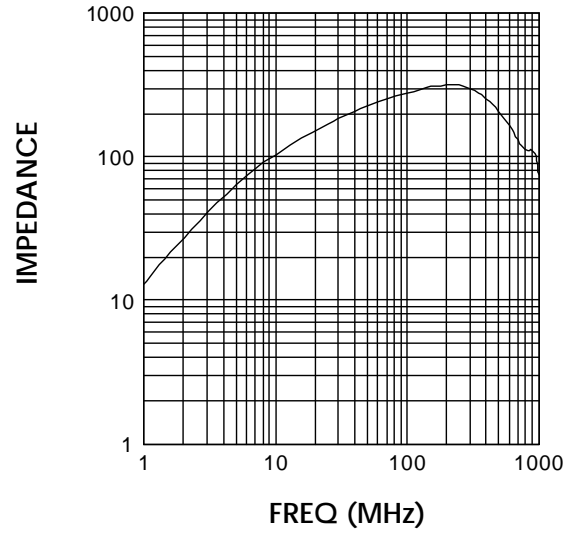
MATERIAL: See Table		COLOUR: See Table	
DESCRIPTION: RKCF Split Ferrite Cores With Plastic Casing			PART No: See Table
DRG No: 05-125	NPR No:	Mass:(g)	SHEET SIZE A3
DRN NJB	DATE 30/05/06	CHKD AS	DATE 30/05/06
SCALE NTS		SHEET No. 1 OF 2	

REV.	MODIFICATION.	DATE	DRN
01	NEW DRAWING	30/05/06	NJB
02	CO2010977	26/08/10	TC
03	CO201048	25/1/11	SF

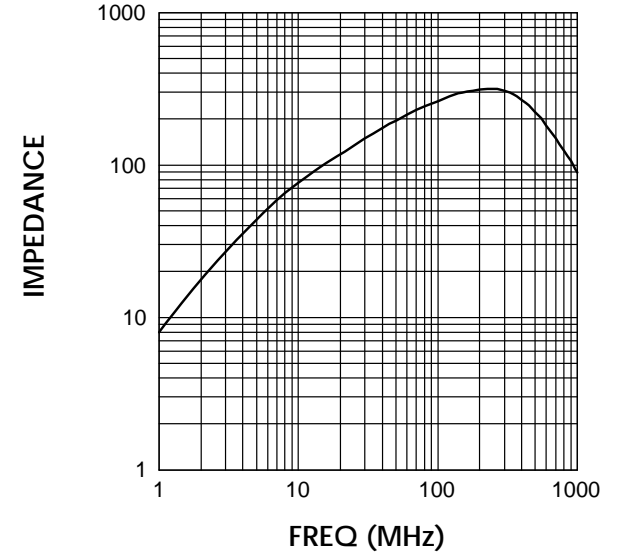
RKCF-05-A5



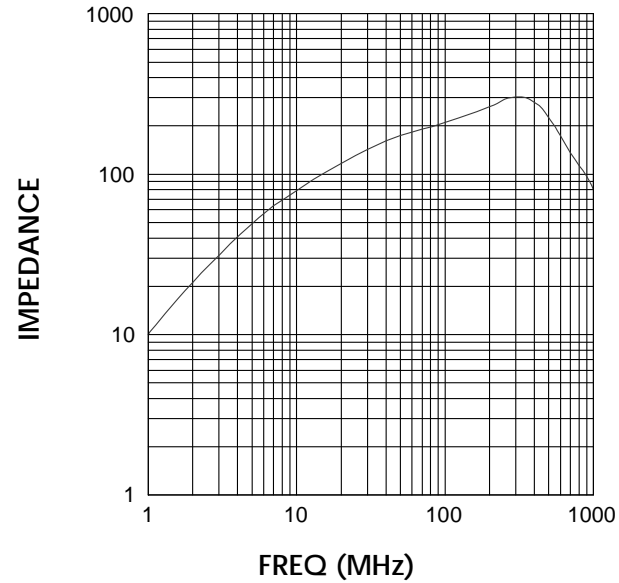
RKCF-06-A5



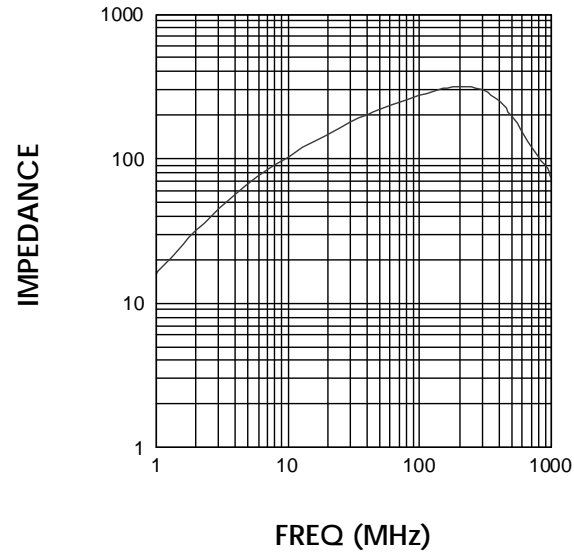
RKCF-08-A5



RKCF-10-A5



RKCF-13-A5



INFORMATION CONTAINED IN THIS DOCUMENT IS CONFIDENTIAL TO RICHCO INTERNATIONAL Co. Ltd. AND MAY NOT BE DISCLOSED OR REPRODUCED IN WHOLE OR PART WITHOUT THEIR WRITTEN CONSENT.

RICHCO, INC.
WWW.RICHCO-INC.COM

ALL DIMENSIONS IN MM
GENERAL TOLERANCES ± 0.25
UNLESS OTHERWISE STATED
1 DECIMAL PLACE \pm
2 DECIMAL PLACES \pm
ANGULAR $\pm 1^\circ$



MATERIAL: See Table		COLOUR: See Sheet 1	
DESCRIPTION: RKCF Split Ferrite Cores With Plastic Casing		PART No: See Sheet 1	
DRG No: 05-125	NPR No:	Mass:(g)	SHEET SIZE A3
DRN NJB	DATE 30/05/06	CHKD AS	DATE 30/05/06
SCALE NTS	SHEET No. 2 OF 2		

X-ON Electronics

Largest Supplier of Electrical and Electronic Components

Click to view similar products for [Ferrite Cable Cores](#) category:

Click to view products by [Richco](#) manufacturer:

Other Similar products are found below :

[2643626102](#) [FX28R0984-0](#) [FX28R0984-2](#) [AB 3X2X3SM](#) [2643164251](#) [2643665709](#) [2661626402](#) [LB 2.8X4.5U](#) [28R1127](#) [28R1260](#)
[28R1575](#) [SM28R0760](#) [SM28R1531](#) [2631006302](#) [2643165451](#) [2643178351](#) [28R0760](#) [MS 21X14X4.5 W](#) [SM28B1101](#) [SS7X4X3W](#) [4327](#)
[030](#) [16141](#) [ASSE017-2](#) [2643103102](#) [2643164151](#) [2943666671](#) [4327](#) [030](#) [12611](#) [2643163851](#) [AB4X2X6SM](#) [432703013631](#) [LB4X2X8U](#)
[28B1101](#) [28B0785](#) [SM28R1575](#) [SM28R1260](#) [74270051](#) [2643625902](#) [74278032](#) [2643480009](#) [2673069901](#) [HFB123049-300](#) [HFB143064-](#)
[100](#) [HFB143064-300](#) [HFB170070-000](#) [ETD29/16/10-3C94](#) [ETD29-3F3](#) [ETD39-3C94](#) [RFP1-20-10-A5](#) [RFP1-40-28-M-A5](#) [RFP2-10-10-A5](#)
[RFP2-25-12-A5](#)