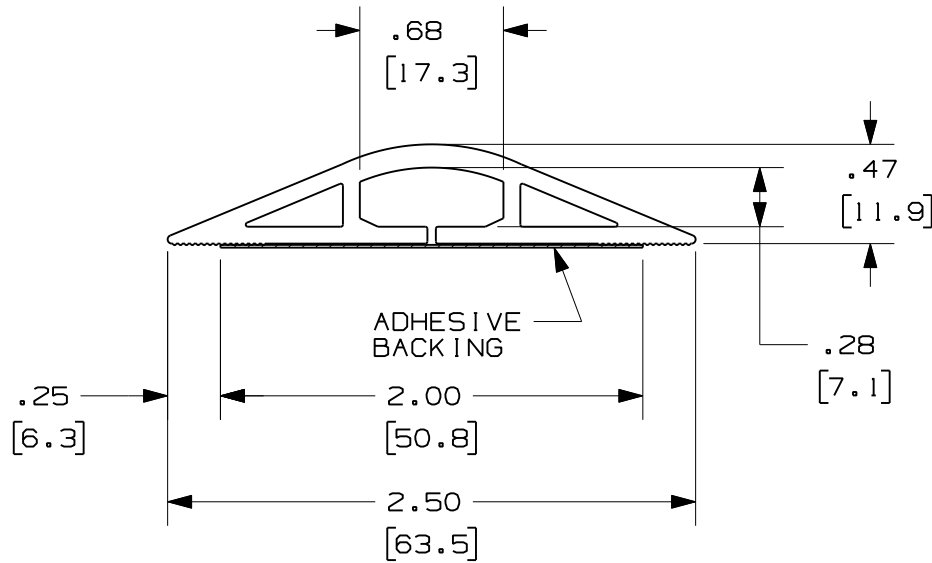


THIS COPY IS PROVIDED ON A RESTRICTED BASIS AND IS NOT TO BE USED IN ANY WAY DETRIMENTAL TO THE INTERESTS OF PANDUIT CORP.

PART NUMBER	LENGTH (MINIMUM)	PACKAGE TYPE	WEIGHT
FG3**5.0-A	5 FEET	COIL	.246 lb/ft [.37 g/mm]
FG3**50.0-A	50 FEET	COIL	.246 lb/ft [.37 g/mm]



**NOTES:**

- SEE CURRENT CATALOG FOR ADDITIONAL PART NUMBER SUFFIXES TO INDICATE COLOR AND/OR PACKAGE QUANTITY.
- DIMENSIONS IN PARENTHESIS ARE IN METRIC.
- NOMINAL WALL THICKNESS IS .08 [2.0]
- TO APPLY PART:
  - CUT FLOORGUARD TO DESIRED LENGTH.
  - INSERT WIRES INTO FLOORGUARD.
  - APPLY TAPE TO FLOORGUARD. (TAPE IS TO BE CENTRALLY LOCATED ON THE FLOORGUARD AS SHOWN ON THE DRAWING)
  - REMOVE RELEASE LINER FROM TAPE AND PLACE FLOORGUARD ON A CLEAN, DRY SURFACE.
  - APPLY PRESSURE TO ENTIRE LENGTH OF FLOORGUARD TO OBTAIN MAXIMUM ADHESION.
- NO WARRANTY, EXPRESSED OR IMPLIED, IS MADE BY PANDUIT WITH RESPECT TO ADHESIVE BOND PERFORMANCE. AMONG OTHER THINGS, THE CONDITIONS UNDER WHICH THESE PRODUCTS MAY BE APPLIED AND/OR THE SURFACE TO WHICH THEY MAY BE APPLIED ARE BEYOND PANDUIT'S CONTROL.

CAD FILENAME/LAYERS 09D054BR\_DC\_FG3/00A

**PANDUIT** CORP TINLEY PARK, ILLINOIS

**FLOORGUARD FG3**

CUSTOMER DRAWING

UNLESS OTHERWISE SPECIFIED, DIMENSIONAL TOLERANCES ARE:

1.X1 ± .03 [ .8 ]  
1.XX ± .03 [ .8 ]

1.XXX ± .03 [ .8 ]  
ANGLES ±

UNLESS OTHERWISE SPECIFIED, ALL DIMENSIONS ARE GIVEN IN INCHES, THIRD ANGLE PROJECTION

DRAWN BY BDK

MAT'L/COLOR:

SCALE NONE

REV	DATE	BY	CHK	DESCRIPTION	ECN	CHK	CUST	SUP
R	12.29.10	BDK	JBN	RELEASED TO PRODUCTION	09D054BR-DC	PATR	RTF I	

DATE 11.17.10  
CK'D JBN

FLEXIBLE VINYL

DRAWING NO. 09D054BR-DC  
DWG SIZE A

## X-ON Electronics

Largest Supplier of Electrical and Electronic Components

*Click to view similar products for [Wire Ducting](#) category:*

*Click to view products by [Panduit](#) manufacturer:*

Other Similar products are found below :

[66200A-10](#) [CVED32VEPG](#) [CVED40VEPG](#) [F512D5-5F140Y](#) [F512D5-5F200Y](#) [F512D5-5F26Y](#) [F512D5-5F30Y](#) [F512D5-5F33Y](#) [F512D5-5F34Y](#) [F512D5-5F45Y](#) [F512D5-5F50Y](#) [F512D5-5F54Y](#) [F512D5-5F66Y](#) [F512D5-5F70Y](#) [F512D5-5F75Y](#) [F512D5-5F90Y](#) [F612D5-5F100Y](#) [F612D5-5F130Y](#) [F612D5-5F50Y](#) [F612D5-5F56Y](#) [F612D5-5F58Y](#) [F6L12D5-5F46](#) [F912D5-5F11Y](#) [F912D5-5F170Y](#) [F912D5-5F175Y](#) [F912D5-5F230Y](#) [F912D5-5F300Y](#) [F912D5-5F55Y](#) [F912D5-5F56Y](#) [F912D5-5F63Y](#) [F912D5-5F6Y](#) [F912D5-5F75Y](#) [F912D5-5F85Y](#) [F912D5-5F86Y](#) [F912D5-5F88Y](#) [F912D5-5F96Y](#) [FAP0047WBLMTP](#) [FAP12WBRDRDDLZ](#) [FAP12WDYLYLDLZ](#) [FAP12WEORORDLZ](#) [FAP6WEORORDLZ](#) [FAP6WFDBDBDLZ](#) [FAP8WEORORDLZ](#) [FCE2UWCL](#) [800A-LB](#) [802A-ECSP](#) [802I-ICSP](#) [FJQADH](#) [FJQFXT](#) [PED10](#)