

REV	DATE	BY	CHK	DESCRIPTION
..	E. ADDED LENGTH NOTE
2	8-6-07	JCST	MKB	D. DIMENSION DELETED
1	10-6-05	JCST	MKB	C. DIMENSION ADDED B. CHANGED DRAWING SIZE A. ADDED SIDE & TOP VIEWS, NOTES, AND LABELS
R	10-2-03	JHNU	JGG	DRAWING RELEASED
				Checked By: JGG
				Date: 10-2-03

Cap Filenames: D11000FM-DC-03B

PANDUIT
CORP., TIMLEY PARK, ILLINOIS

WIRING DUCT - TYPE FS DUCT WITH COVER
3 X 3
MARKETING DRAWING

MAT'L: PVC

SCALE: FULL

DWG NO.: 36897-903

SIZE: C

DESCRIPTION

BY

CHK

DATE

REV

DESCRIPTION

BY

CHK

DATE

REV

DESCRIPTION

BY

CHK

DATE

REV

DESCRIPTION

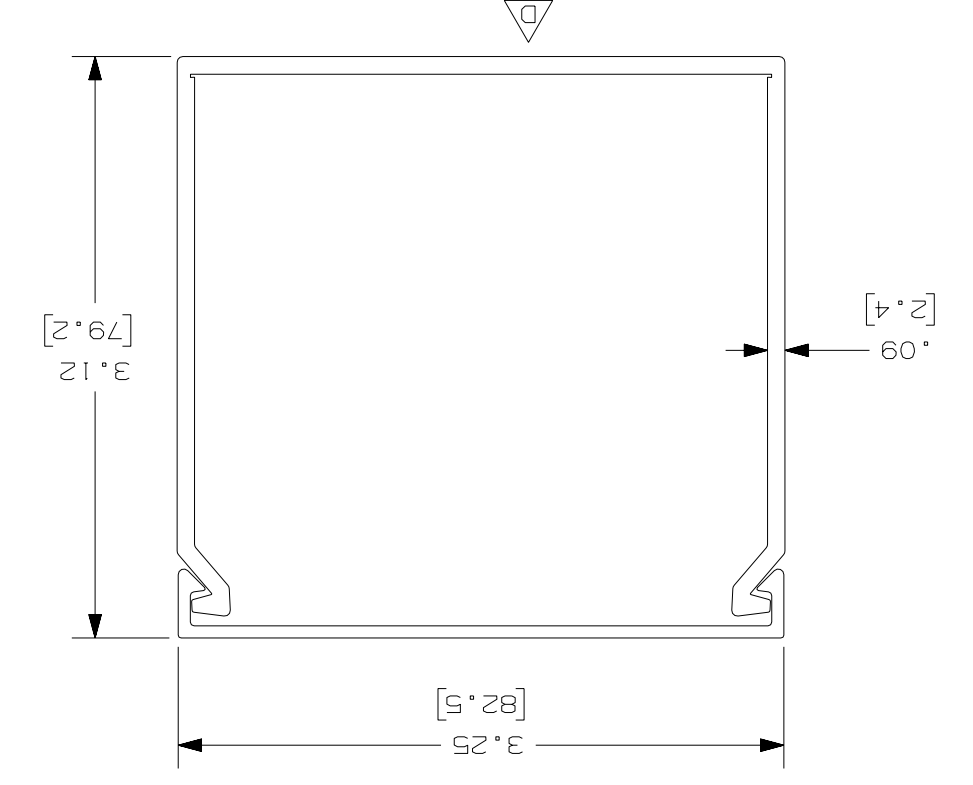
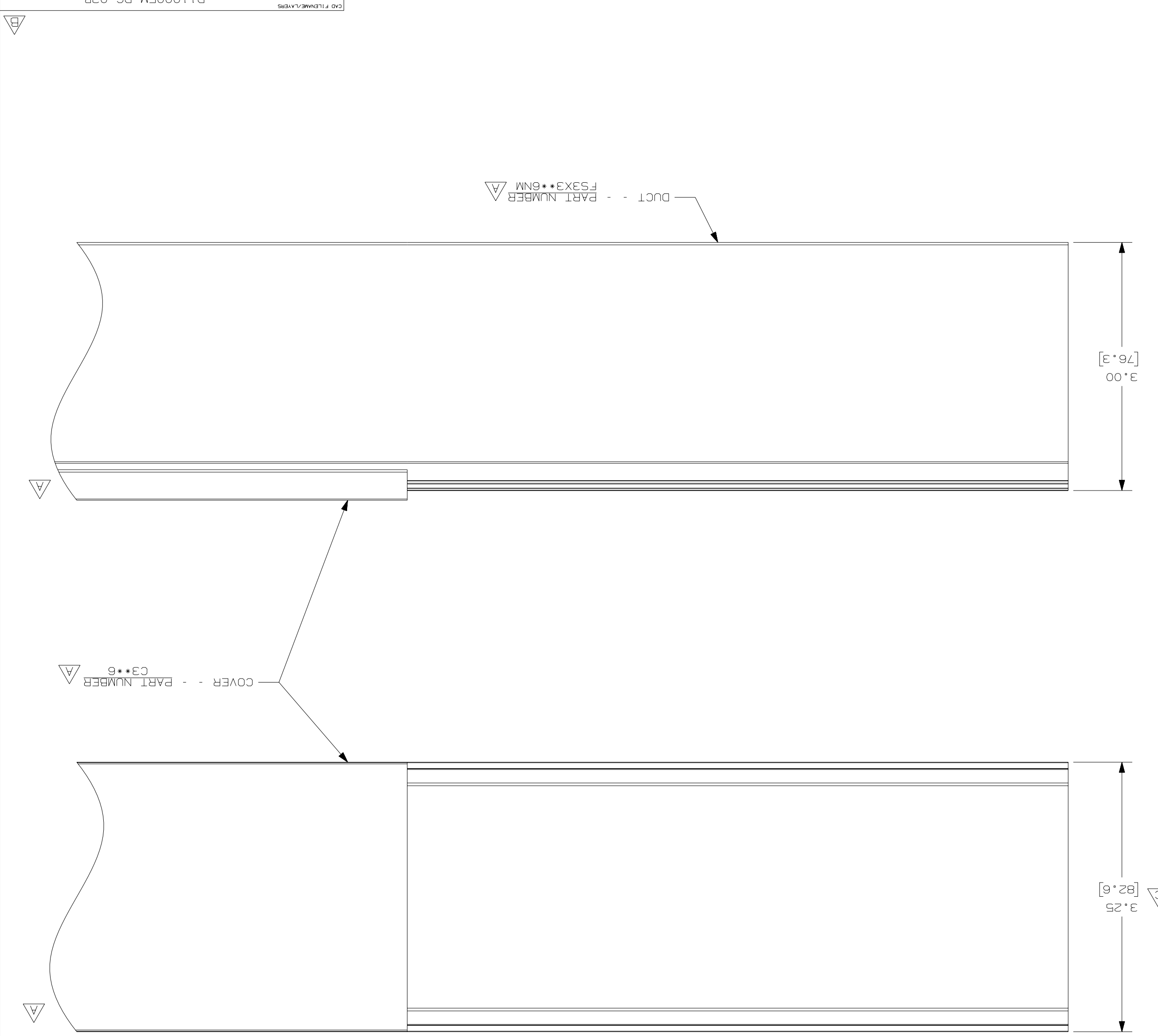
BY

CHK

DATE

REV

DESCRIPTION



- NOTES:
1. ALL DIMENSIONS ARE REFERENCE ONLY.
 2. DIMENSIONS IN PARENTHESES ARE METRIC.
 3. THE ** DENOTE COLOR.
 4. DUCT AND COVER ARE AVAILABLE IN 6 FT (1828.8) LENGTHS.



X-ON Electronics

Largest Supplier of Electrical and Electronic Components

Click to view similar products for [Wire Ducting](#) category:

Click to view products by [Panduit](#) manufacturer:

Other Similar products are found below :

[66200A-10](#) [CVED32VEPG](#) [CVED40VEPG](#) [F512D5-5F140Y](#) [F512D5-5F200Y](#) [F512D5-5F26Y](#) [F512D5-5F30Y](#) [F512D5-5F33Y](#) [F512D5-5F34Y](#) [F512D5-5F45Y](#) [F512D5-5F50Y](#) [F512D5-5F54Y](#) [F512D5-5F66Y](#) [F512D5-5F70Y](#) [F512D5-5F75Y](#) [F512D5-5F90Y](#) [F612D5-5F100Y](#) [F612D5-5F130Y](#) [F612D5-5F50Y](#) [F612D5-5F56Y](#) [F612D5-5F58Y](#) [F6L12D5-5F46](#) [F912D5-5F11Y](#) [F912D5-5F170Y](#) [F912D5-5F175Y](#) [F912D5-5F230Y](#) [F912D5-5F300Y](#) [F912D5-5F55Y](#) [F912D5-5F56Y](#) [F912D5-5F63Y](#) [F912D5-5F6Y](#) [F912D5-5F75Y](#) [F912D5-5F85Y](#) [F912D5-5F86Y](#) [F912D5-5F88Y](#) [F912D5-5F96Y](#) [FAP0047WBLMTP](#) [FAP12WBRDRDDLZ](#) [FAP12WDYLYLDLZ](#) [FAP12WEORORDLZ](#) [FAP6WEORORDLZ](#) [FAP6WFDBDBDLZ](#) [FAP8WEORORDLZ](#) [FCE2UWCL](#) [800A-LB](#) [802A-ECSP](#) [802I-ICSP](#) [FJQADH](#) [FJQFXT](#) [PED10](#)