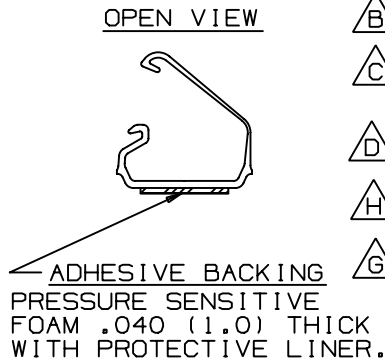
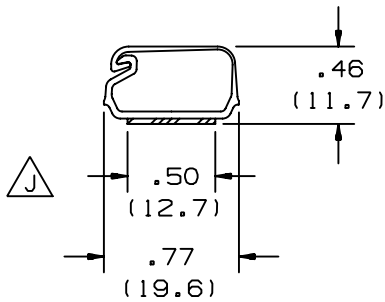


THIS COPY IS PROVIDED ON A RESTRICTED BASIS AND IS NOT TO BE USED IN ANY WAY DETRIMENTAL TO THE INTERESTS OF PANDUIT CORP.



	PART NAME	PANDUIT PART NUMBER (SEE NOTE 1)	COLOR	LENGTH in. (mm.)	STATIC LOAD (SEE NOTE 2)	APPROX. WEIGHT
△E	LATCHING DUCT	LD3**6-A	-----	72.0±.09 (1829±2.3)	.30 lbs/in (5.4 g/mm)	.045 lbs/ft (.067 g/mm)
△B	LATCHING DUCT	LD3**8-A	-----	96.0±.09 (2438±2.3)	.30 lbs/in (5.4 g/mm)	.045 lbs/ft (.067 g/mm)
△C	LATCHING DUCT	LD3**10-A	-----	120.0±.09 (3048±2.3)	.30 lbs/in (5.4 g/mm)	.045 lbs/ft (.067 g/mm)
△D	LATCHING DUCT	LD3**2-A	-----	78.74±.09 (2000.0±2.3)	.30 lbs/in (5.4 g/mm)	.045 lbs/ft (.067 g/mm)
△H	LATCHING DUCT	LD3**3-A	-----	118.11±.09 (3000.0±2.3)	.30 lbs/in (5.4 g/mm)	.045 lbs/ft (.067 g/mm)
△G	LATCHING DUCT					

- △E NOTES:
1. SEE CURRENT CATALOG FOR ADDITIONAL PART NUMBER SUFFIXES TO INDICATE COLOR AND OR PACKAGE QUANTITY.
  2. PART IS DESIGNED TO SUPPORT MAXIMUM WEIGHT ON A CLEAN, DRY, SMOOTH SURFACE. THE SURFACE MUST BE PROPERLY PREPARED IN ACCORDANCE WITH PANDUIT RECOMMENDATIONS.
  3. TO APPLY PART:
    - a. REMOVE PROTECTIVE LINER.
    - b. PLACE PART IN DESIRED LOCATION.
    - c. APPLY PRESSURE TO FLAT SURFACE OF PART.



NO WARRANTY, EXPRESSED OR IMPLIED, IS MADE BY PANDUIT WITH RESPECT TO ADHESIVE BOND PERFORMANCE. AMONG OTHER THINGS, THE CONDITIONS UNDER WHICH THESE MOUNTS MAY BE APPLIED AND/OR THE SURFACE TO WHICH THEY MAY BE APPLIED ARE BEYOND PANDUIT'S CONTROL.

DIMENSIONS IN PARENTHESES ARE METRIC.

CAD FILENAME/LAYERS △K △F D20103BA\_DC\_LD3\_03A.PRT

REV	DATE	BY	CHK	DESCRIPTION	ECN	R	CUST	SUP						
8	6-12-03	JBN	RMH	K. CAD FILE NAME WAS D20103BA_LD3_LC3_02 J. REVISED TAPE WIDTH: WAS .62 (15.7)	20103		RGRO	RGRO						
7	11-30-96	DW	HIW	H. ADDED LD3**2-A AND LD3**3-A; I. REV'D NOTE 2. G. REMOVED LC3-A LATCHING CLIP, AND REMOVED FROM TITLE.	20103		HIW	HIW						
6	2-13-98	PM	HIW	F. FILE NAME WAS DPC.LD3-LC3/C E. REVISED CHART AND NOTES	20103		HIW	HIW						
5	7-5-91	DW	CEF	D. REVISED COLOR FOR LC3-A: INT. GRAY WAS LIGHT GRAY.	20103		5							
-	-----	--	--	C. OMIT PARTS LD3B66-A, LD3L66-A, LD3L16-A B. ADDED PARTS LD3I66-A AND LD3I16-A	-----		--							
4	11-25-87	LDB	WJB	A. ADDED PARTS LD3E16-A & LD3L16-A	20103		4							
3	2-12-87	RN	WJB	REVISED AND REDRAWN	20103		3							

# PANDUIT

CORP. TINLEY PARK, ILLINOIS

△G LATCHING DUCT (LD3)  
CUSTOMER DRAWING

UNLESS OTHERWISE SPECIFIED,  
DIMENSIONAL TOLERANCES ARE:  
(.X) ± (.XXX) ±  
(.XX) ±.03 (.8) ANGLES ±

UNLESS OTHERWISE SPECIFIED,  
ALL DIMENSIONS ARE GIVEN  
IN INCHES, THIRD ANGLE PROJECTION.

DRAWN BY: GDN

DATE: 7-30-85

CHK'D: WJB

MAT'L: RIGID PVC (POLYVINYL CHLORIDE)

SCALE: FULL

DRAWING NO.: SS-20103

DWG SIZE: A

## X-ON Electronics

Largest Supplier of Electrical and Electronic Components

*Click to view similar products for [Wire Ducting](#) category:*

*Click to view products by [Panduit](#) manufacturer:*

Other Similar products are found below :

[66200A-10](#) [CVED32VEPG](#) [CVED40VEPG](#) [F512D5-5F140Y](#) [F512D5-5F200Y](#) [F512D5-5F26Y](#) [F512D5-5F30Y](#) [F512D5-5F33Y](#) [F512D5-5F34Y](#) [F512D5-5F45Y](#) [F512D5-5F50Y](#) [F512D5-5F54Y](#) [F512D5-5F66Y](#) [F512D5-5F70Y](#) [F512D5-5F75Y](#) [F512D5-5F90Y](#) [F612D5-5F100Y](#) [F612D5-5F130Y](#) [F612D5-5F50Y](#) [F612D5-5F56Y](#) [F612D5-5F58Y](#) [F6L12D5-5F46](#) [F912D5-5F11Y](#) [F912D5-5F170Y](#) [F912D5-5F175Y](#) [F912D5-5F230Y](#) [F912D5-5F300Y](#) [F912D5-5F55Y](#) [F912D5-5F56Y](#) [F912D5-5F63Y](#) [F912D5-5F6Y](#) [F912D5-5F75Y](#) [F912D5-5F85Y](#) [F912D5-5F86Y](#) [F912D5-5F88Y](#) [F912D5-5F96Y](#) [FAP0047WBLMTP](#) [FAP12WBRDRDDLZ](#) [FAP12WDYLYLDLZ](#) [FAP12WEORORDLZ](#) [FAP6WEORORDLZ](#) [FAP6WFDBDBDLZ](#) [FAP8WEORORDLZ](#) [FCE2UWCL](#) [800A-LB](#) [802A-ECSP](#) [802I-ICSP](#) [FJQADH](#) [FJQFXT](#) [PED10](#)