

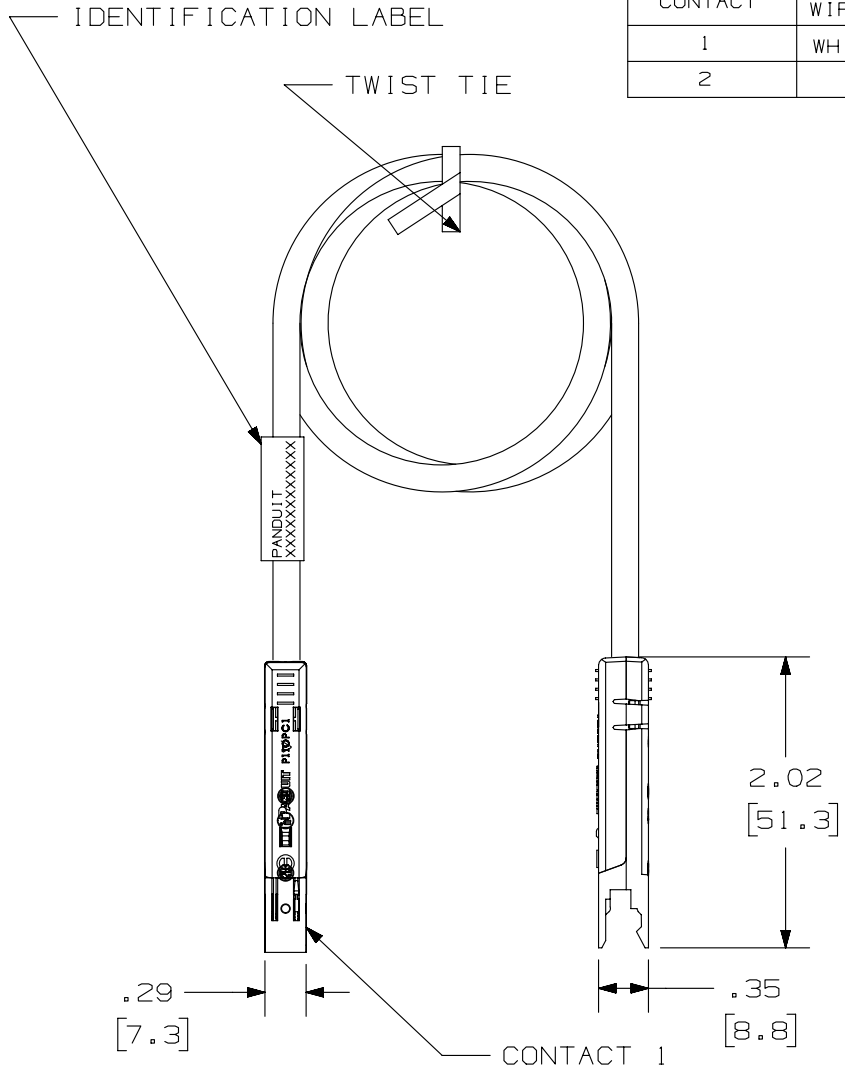
THIS COPY IS PROVIDED ON A RESTRICTED BASIS AND IS NOT TO BE USED IN ANY WAY DETRIMENTAL TO THE INTERESTS OF PANDUIT CORP.

CONTACT	CABLE WIRE COLOR
1	WHITE/BLUE
2	BLUE

NOTES:

- SEE CURRENT CATALOG FOR VARIOUS APPLICATIONS AND TO INDICATE PACKAGE QUANTITY.
- 110 CONNECTORS ON BOTH ENDS. THE PATCH CORDS CAN BE USED WITH PAN-PUNCH™ 110 CONNECTING BLOCKS.
- FEATURES INCLUDE A CLEAR CAP TO ENSURE PROPER WIRE SEQUENCE AND CONNECTOR ORIENTATION. RETAINING CLIPS SECURE THE JACKET CLOSE TO THE POINT OF TERMINATION WHICH MINIMIZES WIRE UNTWISTING. INTEGRAL STRAIN RELIEF MINIMIZES STRESS ON WIRES DURING DISCONNECTION.
- POLARIZED TO PREVENT REVERSE INSTALLATION TO CONNECTOR BLOCK.
- CATEGORY 3 UNSHIELDED TWISTED PAIR CABLE WITH 24AWG STRANDED TINNED COPPER CONDUCTOR.
- DIMENSIONS IN PARENTHESES ARE IN METRIC.

PANDUIT P/N	MIN. CABLE LENGTH	WEIGHT
P110PC11G2Y	2 FT.	.24 LB/10 PCS (112.1 g/10 PCS)
P110PC11G3Y	3 FT.	.31 LB/10 PCS (144.5 g/10 PCS)
P110PC11G4Y	4 FT.	.38 LB/10 PCS (176.9 g/10 PCS)
P110PC11G5Y	5 FT.	.45 LB/10 PCS (209.3 g/10 PCS)
P110PC11G6Y	6 FT.	.52 LB/10 PCS (241.7 g/10 PCS)
P110PC11G7Y	7 FT.	.59 LB/10 PCS (274.1 g/10 PCS)
P110PC11G8Y	8 FT.	.66 LB/10 PCS (306.5 g/10 PCS)
P110PC11G9Y	9 FT.	.73 LB/10 PCS (338.9 g/10 PCS)
P110PC11G12Y	12 FT.	1.93 LB/10 PCS (436.1 g/10 PCS)
P110PC11G15Y	15 FT.	1.15 LB/10 PCS (533.3 g/10 PCS)
P110PC11G18Y	18 FT.	1.36 LB/10 PCS (630.5 g/10 PCS)
P110PC11G.5MY	.5M	.22 LB/10 PCS (100.45g/10 PCS)
P110PC11G1MY	1M	.33 LB/10 PCS (153.6 g/10 PCS)
P110PC11G1.5MY	1.5M	.45 LB/10 PCS (206.8 g/10 PCS)
P110PC11G2MY	2M	.56 LB/10 PCS (259.9 g/10 PCS)
P110PC11G3MY	3M	.79 LB/10 PCS (366.2 g/10 PCS)
P110PC11G4MY	4M	1.02 LB/10 PCS (472.5 g/10 PCS)
P110PC11G5MY	5M	1.25 LB/10 PCS (578.8 g/10 PCS)
P110PC11G6MY	6M	1.48 LB/10 PCS (685.1 g/10 PCS)



PART NUMBER		P110PC1***Y				
TITLE						
CATEGORY 3 110 PATCH CORD						
CUSTOMER DRAWING						
ITEM REVISION NAME		M02479JQ/05				
DATASET FILE NAME		M02479JQ_DC253/00B				
UNLESS OTHERWISE SPECIFIED, DIMENSIONAL TOLERANCES ARE: IN [mm]		MATERIAL:				
.x ± .xxx ± .010 [.3]		DRAWING NUMBER:				
.xx ± .03 [.8]		02479-253				
THIRD ANGLE PROJECTION		SHT 1 OF 1				
DRAWN BY	DATE	CHK	SCALE			
NER	3-17-06	WJC	NONE			
REV	DATE	BY	DESCRIPTION			
1	5/28/14	JSP	REFR MMR A. REVISED DRAWING TITLE BLOCK.			
R	3-17-06	NER	WJC RMD RELEASED TO PRODUCTION			
REV	DATE	BY	CHK	APR	DESCRIPTION	ECN

D10100DA/14

2

1

2

1

X-ON Electronics

Largest Supplier of Electrical and Electronic Components

Click to view similar products for [Ethernet Cables / Networking Cables](#) category:

Click to view products by [Panduit](#) manufacturer:

Other Similar products are found below :

[0152660053](#) [73-7797-25](#) [73-8890-10](#) [73-8890-14](#) [73-8891-14](#) [73-8891-25](#) [73-8892-50](#) [73-8894-10](#) [73-8894-3](#) [73-8895-14](#) [73-8896-7](#)
[MCJB2-10P6Q7-120](#) [84909-0204](#) [1200650742](#) [1200700174](#) [1200860368](#) [1200650013](#) [1201080008](#) [1-21919-1](#) [1300500373](#) [1300101844](#)
[1300101845](#) [130050-0004](#) [1300500014](#) [1410147](#) [E16A06002M030](#) [E200102-009-S1](#) [MT14-187L](#) [17-103530](#) [NK5EPC18RDY](#)
[NK5EPC18VLY](#) [NK5EPC18YLY](#) [NK5EPC1GRY](#) [NK5EPC30BLY](#) [NK5EPC30VLY](#) [NK5EPC30YLY](#) [NK5EPC4Y](#) [NK5EPC6YLY](#)
[NK5EPC8BLY](#) [NK5EPC9YLY](#) [NK6PC30BUY](#) [NK6PC30GRY](#) [NK6PC30RDY](#) [NK6PC30Y](#) [NK6PC30YLY](#) [1969343-6](#) [C501100010](#)
[C501106002](#) [C501106007](#) [C501106015](#)