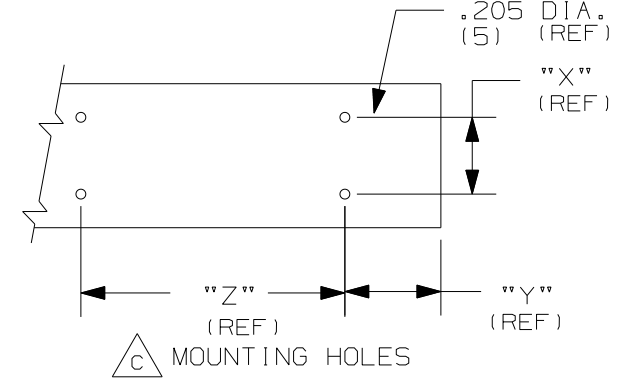


THIS COPY IS PROVIDED ON A RESTRICTED BASIS AND IS NOT TO BE USED IN ANY WAY DETRIMENTAL TO THE INTERESTS OF PANDUIT CORP.

| PANDUIT P/N<br>SEE NOTE #1 | LENGTH/TOLERANCE                       | WEIGHT                                | MOUNTING HOLE DIM'S |               |                |
|----------------------------|--|---------------------------------------|---------------------|---------------|----------------|
|                            |  |                                       | "X"<br>(80.5)       | "Y"<br>(102)  | "Z"<br>(33.4)  |
| T702B**8                   | 96.00 IN ±.13 IN<br>(2438 mm ±3.3 mm)  | 8.0 LB/96 IN.<br>(3636 g/2438 mm)     | 3.17<br>(80.5)      | 4.00<br>(102) | 8.00<br>(33.4) |
| T702B**10                  | 120.00 IN ±.13 IN<br>(3048 mm ±3.3 mm) | 10.0 LB/120 IN.<br>(4550 g/3048 mm)   | 3.17<br>(80.5)      | 4.00<br>(102) | 8.00<br>(33.4) |
| T702B**2                   | (2000 mm ±3.3 mm)                      | 6.5 LB/78.74 IN.<br>(2970 g/2000 mm)  | 3.17<br>(80.5)      | 3.37<br>(86)  | 8.00<br>(33.4) |
| T702B**3                   | (3000 mm ±3.3 mm)                      | 9.8 LB/118.11 IN.<br>(4455 g/3000 mm) | 3.17<br>(80.5)      | 3.06<br>(78)  | 8.00<br>(33.4) |

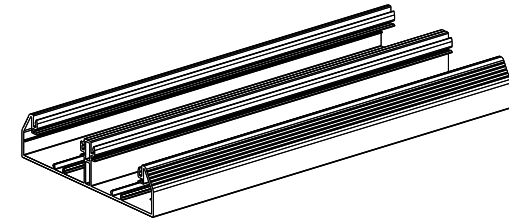
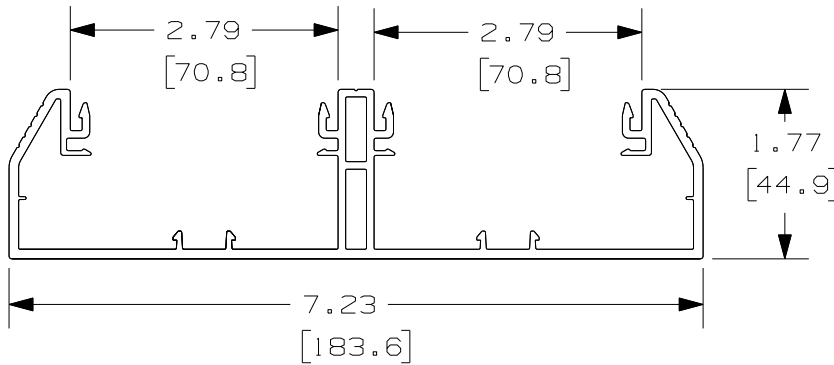


A  
A

D NOTES:

1. SEE CURRENT CATALOG FOR ADDITIONAL PART SUFFIXES TO INDICATE COLOR AND OR PACKAGE QUANTITY.
2. THE T702B IS USED WITH THE T70C RACEWAY COVER, 2 FT(610) OF COVER REQUIRED FOR EVERY 1 FT(305) OF BASE)
3. DIMENSIONS IN PARENTHESES ARE IN METRIC.

B



CAD FILENAME/LAYERS D34866DJ\_DC\_T702BASE\_02B

**PANDUIT** CORP. TINLEY PARK, ILLINOIS

PAN-WAY TWIN-70 RACEWAY SYSTEM  
(T702B\*\*8, T702B\*\*10, T702B\*\*2, T702B\*\*3)  
CUSTOMER DRAWING

| REV | DATE     | BY  | CHK | DESCRIPTION   | ECN      | CHK | CUST | SUP |
|-----|----------|-----|-----|---|----------|-----|------|-----|
| 3   | 10-05-08 | BDK | BKR | D. REVISED NOTES  | 34866-63 | RTF | RTF  |     |
| 2   | 03-12-99 | DW  | HIW | C. ADDED MOUNTING HOLE DIMENSIONS AND CHART.                | 34866-63 | HIW | HIW  |     |
| 1   | 10-20-98 | DW  | HIW | B. ADDED NOTE 4.<br>A. ADDED 2M AND 3M LENGTHS AND WEIGHTS. | 34866-63 | HIW | HIW  |     |
| R   | 02-03-98 | DW  | HIW | RELEASED TO PRODUCTION.                                     | 34866-63 | HIW | HIW  |     |

|   |                   |   |                  |
|---|-------------------|---|------------------|
| UNLESS OTHERWISE SPECIFIED, DIMENSIONAL TOLERANCES ARE:<br>(.X) ± (.XXX) ±<br>(.XX) ±.03(.8) ANGLES ± |                   | UNLESS OTHERWISE SPECIFIED, ALL DIMENSIONS ARE GIVEN IN INCHES, THIRD ANGLE PROJECTION. |                  |
| DRAWN BY<br>DW  | MAT'L:<br>PVC     | SCALE<br>NONE   |                  |
| DATE<br>2-3-98  | CHECKED BY<br>HIW | DRAWING NO.<br>34866-63   | DWG<br>A<br>SIZE |

## X-ON Electronics

Largest Supplier of Electrical and Electronic Components

*Click to view similar products for [Wire Ducting](#) category:*

*Click to view products by [Panduit](#) manufacturer:*

Other Similar products are found below :

[66200A-10](#) [CVED32VEPG](#) [CVED40VEPG](#) [F512D5-5F140Y](#) [F512D5-5F200Y](#) [F512D5-5F26Y](#) [F512D5-5F30Y](#) [F512D5-5F33Y](#) [F512D5-5F34Y](#) [F512D5-5F45Y](#) [F512D5-5F50Y](#) [F512D5-5F54Y](#) [F512D5-5F66Y](#) [F512D5-5F70Y](#) [F512D5-5F75Y](#) [F512D5-5F90Y](#) [F612D5-5F100Y](#) [F612D5-5F130Y](#) [F612D5-5F50Y](#) [F612D5-5F56Y](#) [F612D5-5F58Y](#) [F6L12D5-5F46](#) [F912D5-5F11Y](#) [F912D5-5F170Y](#) [F912D5-5F175Y](#) [F912D5-5F230Y](#) [F912D5-5F300Y](#) [F912D5-5F55Y](#) [F912D5-5F56Y](#) [F912D5-5F63Y](#) [F912D5-5F6Y](#) [F912D5-5F75Y](#) [F912D5-5F85Y](#) [F912D5-5F86Y](#) [F912D5-5F88Y](#) [F912D5-5F96Y](#) [FAP0047WBLMTP](#) [FAP12WBRDRDDLZ](#) [FAP12WDYLYLDLZ](#) [FAP12WEORORDLZ](#) [FAP6WEORORDLZ](#) [FAP6WFDBDBDLZ](#) [FAP8WEORORDLZ](#) [FCE2UWCL](#) [800A-LB](#) [802A-ECSP](#) [802I-ICSP](#) [FJQADH](#) [FJQFXT](#) [PED10](#)