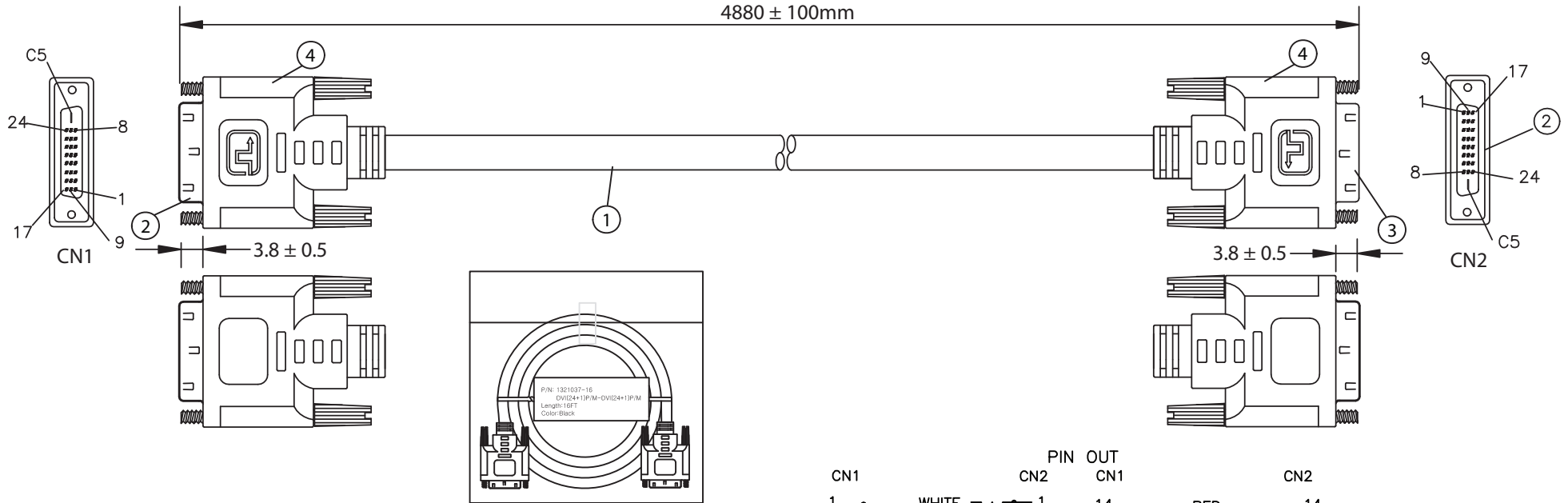


THESE DRAWINGS ARE THE PROPERTY OF QUALTEK ELECTRONICS AND NOT TO BE REPRODUCED FOR OR COMMUNICATED TO A THIRD PARTY WITHOUT THE EXPRESS WRITTEN PERMISSION OF AN OFFICER OF QUALTEK ELECTRONICS.

REVISION			
REV.	DESCRIPTION	DATE	APPROVED
B	Updated Notes and Graphics	10-21-14	LY



NOTES:

- CABLE: UL20276
(28AWG*1PR+EAM)*7+28AWG*1PR+28AWG*3C+AEB(AL) 65%
OUTER JACKET: BLACK, OD: 8.5 ± 0.2mm
- CONNECTOR: DVI 24+1 MALE
INSULATOR: BLACK
PIN G/F
GOLD PLATED SHELL
THUMB SCREW: 2.8*32 4-40UNC
- CONNECTOR: DVI 24+1 MALE
INSULATOR: BLACK
PIN G/F
GOLD PLATED SHELL
THUMB SCREW: 2.8*32 4-40UNC
- PVC MOLDED: COLOR V398 30P BLACK
- ELECTRICAL TEST:
<1>.100% OPEN SHORT & MISS WIRE TEST
<2>.INSULATION RESISTANCE: AC300V DC400V 10M ohm MIN.
<3>.CONDUCTOR RESISTANCE: 4 ohm MAX.
- PACKING: 1PC/POLYBAG

CN1		CN2		PIN OUT		CN1		CN2	
1	WHITE	1	RED	14	RED	14	RED	14	RED
2	GREEN	2	VIOLET	15	VIOLET	15	VIOLET	15	VIOLET
3	DRAIN	3	WHITE	16	WHITE	16	WHITE	16	WHITE
4	DRAIN	4	PINK	17	PINK	17	PINK	17	PINK
5	BLUE	5	ORANGE	18	ORANGE	18	ORANGE	18	ORANGE
6	YELLOW	6	DRAIN	19	DRAIN	19	DRAIN	19	DRAIN
7	ORANGE	7	DRAIN	20	DRAIN	20	DRAIN	20	DRAIN
8	WHITE	8	BLACK	21	BLACK	21	BLACK	21	BLACK
9	WHITE	9	GRAY	22	GRAY	22	GRAY	22	GRAY
10	RED	10	LIGHT-BLUE	23	LIGHT-BLUE	23	LIGHT-BLUE	23	LIGHT-BLUE
11	DRAIN	11	VIOLET	24	VIOLET	24	VIOLET	24	VIOLET
12	DRAIN	12	DRAIN	22	DRAIN	22	DRAIN	22	DRAIN
13	BROWN	13	SHELL	SHELL	BRAID & DRAIN	SHELL	BRAID & DRAIN	SHELL	BRAID & DRAIN

CONTROLLED

Dim range (mm)	Tolerance +/- (mm)	Qualtek Electronics Corp. WCI DIVISION		
		Part Number: 1321037-16	RoHS Compliant	
0-1	0.15	Description: DVI (24+1)P/M - DVI (24+1)P/M		
1-6	0.20		UNIT: mm	REV.B
6-18	0.30			
18-50	0.50			
50-120	0.70	Drawn / Date	Checked / Date	Approved / Date
120-250	0.90	B. Grubb 01-25-07	01-25-07	JJH / 01-25-07
250-500	1.20			

X-ON Electronics

Largest Supplier of Electrical and Electronic Components

Click to view similar products for [Audio Cables](#) / [Video Cables](#) / [RCA Cables](#) category:

Click to view products by [Qualtek](#) manufacturer:

Other Similar products are found below :

[59384500100E](#) [73-6310-10](#) [73-6311-10](#) [73-6313-3](#) [73-6313-6](#) [PCX-60-50](#) [RCA10RCA](#) [1-3737-600-3216](#) [15AK25X](#) [25FK25](#) [LF3BLX](#) [30-1511-10](#) [30AR30](#) [30AK30](#) [30AN30](#) [RCA05RCA](#) [RCA05RCAB](#) [RCA05TS](#) [RCA10RCAB](#) [420001400-3](#) [426058900-3](#) [TT6RX](#) [TT7BKX](#) [TT93602](#) [426058300-3](#) [LF1BKX](#) [LF3RX](#) [0887418300](#) [73-6312-6](#) [73-6314-3](#) [73-6352-3](#) [VMP3YX](#) [VMP2YX](#) [68767-0003](#) [TT746](#) [TT744](#) [CN13B](#) [LF4GNX](#) [LF2GYX](#) [426494200-3](#) [LF1RX](#) [VMPBNCF](#) [LF10GNX](#) [427492100-3](#) [LF4BLX](#) [TT747N2](#) [TT864](#) [LF2YX](#) [426491500-3](#) [426523700-3](#)