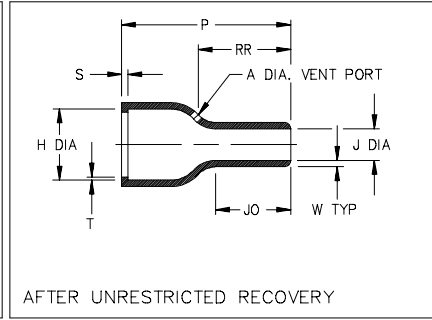
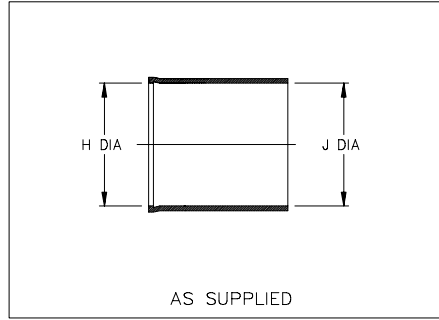


Thermofit<sup>®</sup> Molded Parts  
 Specification Control Drawing  
 Limited Distribution

Part Number : 202D1XX-X-50  
 Description : Boot, Straight With Lip

NOTES

- All dimensions are in  $\frac{\text{inches}}{\text{[millimeters]}}$
- Dimensions appearing in table are as follows:
  - a - As Supplied
  - b - After Unrestricted Recovery



PART NUMBER	H		J		P ±10% b	S REF b	T REF b	JO ±10% b	W ±20% b	RR ±10% b	A ±.01 b
	Min a	Max b	Min a	Max b							
	202D142-X-50	1.08 [27,4]	.70 [17,8]	1.08 [27,4]							
202D153-X-50	1.26 [32,0]	.88 [22,4]	1.26 [32,0]	.33 [8,4]	2.35 [59,7]	.12 [3,05]	.04 [1,02]	.82 [20,8]	.08 [2,03]	1.16 [29,5]	.12 [3,04]
202D163-X-50	1.45 [36,8]	1.11 [28,2]	1.45 [36,8]	.39 [9,9]	2.48 [63,0]	.12 [3,05]	.065 [1,65]	.97 [24,6]	.09 [2,29]	1.43 [36,3]	.12 [3,04]
202D174-X-50	1.80 [45,7]	1.38 [35,1]	1.80 [45,7]	.62 [15,8]	3.53 [89,7]	.12 [3,05]	.065 [1,65]	1.56 [39,6]	.13 [3,30]	2.09 [53,1]	.12 [3,04]
202D185-X-50	1.90 [48,3]	1.75 [44,5]	1.90 [48,3]	.80 [20,4]	4.90 [124,5]	.12 [3,05]	.080 [2,03]	1.90 [48,3]	.16 [4,06]	2.55 [64,8]	.12 [3,04]

**Raychem**

RAYCHEM CORPORATION  
 300 CONSTITUTION DRIVE  
 MENLO PARK, CALIFORNIA 94025

Revision : D  
 Date : 11/10/94

Part Number : 202D1XX-X-50  
 Description : Boot, Straight With Lip

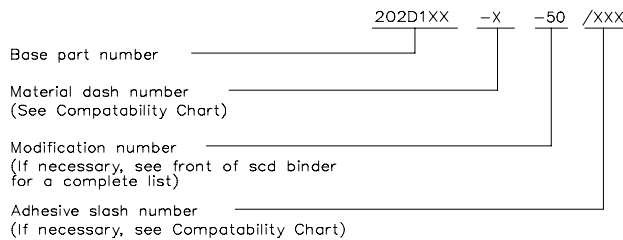
Thermofit<sup>®</sup> Molded Parts  
 Specification Control Drawing  
 Limited Distribution

Part Number : 202D1XX-X-50  
 Description : Boot, Straight with Lip

COMPATABILITY CHART					
MATERIAL DASH NO.	MATERIAL DESCRIPTION	RT SPEC	COATING SLASH NO.	COATING S NO.	COATING DESCRIPTION
-12	*VITON, Flexible	RT-1312			

\*VITON is a Registered Trademark of Dupont

ORDERING INFORMATION



THIS DRAWING IS SUBJECT TO CHANGE WITHOUT NOTICE; CONSULT YOUR  
 NEAREST FIELD REPRESENTATIVE FOR CURRENT REVISION

**Raychem**

RAYCHEM CORPORATION  
 300 CONSTITUTION DRIVE  
 MENLO PARK, CALIFORNIA 94025

Revision : D  
 Date : 11/10/94

Part Number : 202D1XX-X-50  
 Description : Boot, Straight With Lip

CAD FILE MP94316

## X-ON Electronics

Largest Supplier of Electrical and Electronic Components

*Click to view similar products for [Cable Boots](#) category:*

*Click to view products by [TE Connectivity](#) manufacturer:*

Other Similar products are found below :

[618235-000](#) [622A014-3-0](#) [CX4132-000](#) [879103-4](#) [879515-000](#) [889092](#) [982033-2](#) [R280576000](#) [1300830729](#) [MTPSRBCL-C](#) [1811481-1](#)  
[200W531-3-0](#) [202A121-386-0](#) [202A142-4-00/42-0](#) [202A163-4-0-CS5067](#) [202B221-13-0](#) [202B231-13-0](#) [202B563-25-07-0](#)  
[202C621710CS5361](#) [202D132-4-07/42-0](#) [202D221-4-0-CS5349](#) [202D221-4-26-0](#) [202D263-25-08-0](#) [202D263-4-22/42-0](#) [202D263-4-88-0](#)  
[202D921-2542-0](#) [202E336-71-0](#) [202F211-50-22-0-CS8474](#) [202F242-50-05-0](#) [202F242-51-04/164-0](#) [202K121-25-CS-1858-0](#) [202K121-25-](#)  
[CS-2062-0](#) [202K132-25-01/225-0CS8387](#) [202K153-3-0186-0](#) [202S132-25-UP-0](#) [203W301-3/42-0](#) [207W613-100/184-0-CS5657](#) [207W623-](#)  
[100-01/184-0](#) [207W634-100/184-0-CS5657](#) [207W656-100-01/184-0](#) [207W667-100-01/184-0](#) [207W667-100/184-0](#) [208A011-3-0](#) [208A021-3-](#)  
[0](#) [221A011-51164-0-CS7133](#) [222A121-2586](#) [222A152-342-0](#) [222A213-25-0-CS5613](#) [222D221-25-13/86-0](#) [222D232-4-61-0-CS5078](#)