

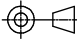


CODE 47 - HEAT SHRINK BOOT BACKSHELL

202M712-19B-D

SERIES _____
 ORDER NUMBER (TABLE 1) _____
 MATERIAL _____
 REFER TO CH00-0250-004
 FINISH _____
 REFER TO CH00-0250-004
 MODIFICATION CODE _____
 REFER TO CH00-0250-004

NOTES:

1. THIS PRODUCT IS DESIGNED TO TERMINATE A HEAT SHRINKABLE LIPPED BOOT TO A CONNECTOR.
2. FOR ADDITIONAL DIMENSIONS, ORDERING INFORMATION AND MODIFICATIONS, SEE CH00-0250-004.
3. BACKSHELL TO BE PERMANENTLY MARKED/BAGGED AND LABELLED WITH CODE IDENTIFICATION NUMBER AND PART NUMBER. (e.g. 06090-202M712-19B).
4. KNURL INSIDE BOOT GROOVE MAY BE SUPPLIED AT MANUFACTURER'S OPTION.
- ⑤ BACKSHELL MATES TO BENDIX SJT COMMERCIAL SERIES CONNECTOR.

DRAWN	W.RUST	DATE 14/09/2015	 3RD ANGLE PROJECTION NOT TO SCALE	TITLE:	HEAT SHRINK BOOT BACKSHELL	 Polanco 
CHECKED		14/09/2015				
APPROVED	K.SHEPPARD	09/10/2015		<small>UNLESS OTHERWISE SPECIFIED ALL DIMENSIONS IN MILLIMETRES GENERAL TOL LINEAR +/-0.25MM ANGULAR +/- 1°</small>		
APPROVED	H.SMITH	26/10/2015				
REVISIONS						
LTR	DESCRIPTION	DATE	APPROVED			
C	REVISED PER ECN AD93096					
D	REVISED PER ECO-15-015326	26/10/2015	H.SMITH			
TE CAGE CODE: 06090 POLAMCO/TE CAGE CODE: U5792				<small>TE CONNECTIVITY - POLAMCO LTD RESERVES THE RIGHT TO AMEND THIS DRAWING AND THE INFORMATION SET FORTH HEREON AT ANY TIME. USERS SHOULD INDEPENDENTLY EVALUATE THE SUITABILITY OF THE PRODUCT FOR THEIR APPLICATION.</small>		DRAWING NO: 202M7XX
				DRAWING REV: D		SHT 1

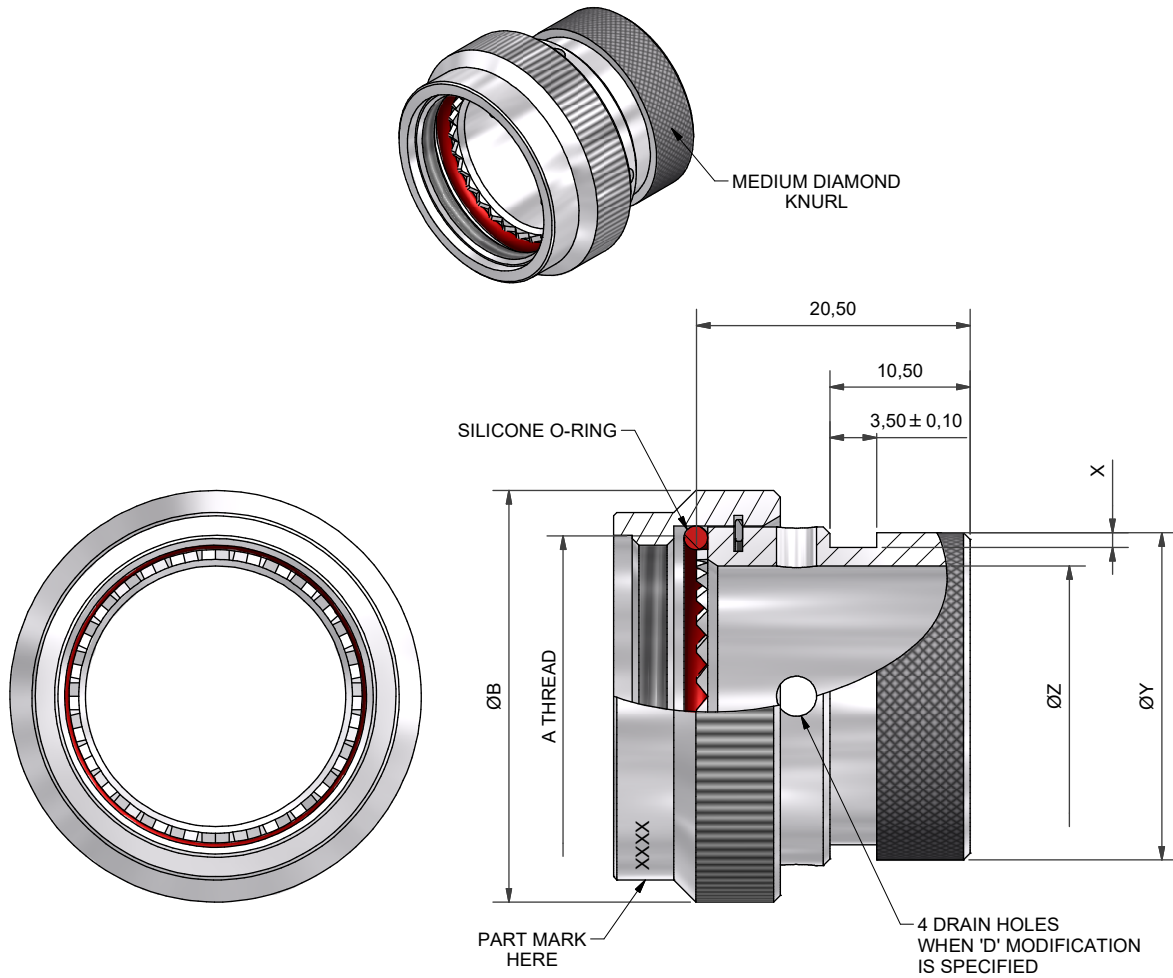


TABLE 1

BASE PART NUMBER	SHELL SIZE		A THREAD	ØB MAX	X +0,20/-0,00	ØY +0,00/-0,50	ØZ MIN
	SJT*00 SJT*06	SJT07R1 ONLY					
202M708	8		7/16-28UNEF	18,0	1,12	13,50	6,10
202M710	10	8	9/16-24UNEF	21,0	1,12	15,40	9,02
202M712	12	10	11/16-24UNEF	24,5	1,12	19,70	12,45
202M714	14	12	13/16-20UNEF	27,8	1,12	21,30	14,86
202M716	16	14	15/16-20UNEF	30,8	1,12	24,50	18,03
202M718	18	16	1 1/16-18UNEF	34,1	1,12	26,50	20,04
202M720	20	18	1 3/16-18UNEF	38,0	1,75	31,00	23,22
202M722	22	20	1 5/16-18UNEF	41,0	1,75	34,40	26,39
202M724	24	24	1 7/16-18UNEF	43,7	1,75	36,60	29,31

DRAWN	W.RUST	DATE	14/09/2015	 3RD ANGLE PROJECTION NOT TO SCALE UNLESS OTHERWISE SPECIFIED ALL DIMENSIONS IN MILLIMETRES GENERAL TOL LINEAR +/-0,25MM ANGULAR +/- 1°
CHECKED		DATE	14/09/2015	
APPROVED	K.SHEPPARD	DATE	09/10/2015	
APPROVED	H.SMITH	DATE	26/10/2015	

TITLE:
HEAT SHRINK BOOT BACKSHELL

ASSY USED ON:
BENDIX SJT COMMERCIAL SERIES CONNECTOR



REVISIONS			
LTR	DESCRIPTION	DATE	APPROVED
C	REVISED PER ECN AD93096		
D	REVISED PER ECO-15-015326	26/10/2015	H.SMITH

TE CAGE CODE: 06090
POLAMCO/TE CAGE CODE: U5792

X-ON Electronics

Largest Supplier of Electrical and Electronic Components

Click to view similar products for [Circular MIL Spec Strain Reliefs & Adapters](#) category:

Click to view products by [TE Connectivity](#) manufacturer:

Other Similar products are found below :

[896227-000](#) [899170S004](#) [6000-063-0022](#) [613751-000](#) [CS6624-000](#) [620AB038Z136](#) [620AS001Z108](#) [620AS038Z112](#) [620AS038Z120](#)
[620AS038Z132](#) [620FB038NF08](#) [620HA038NF13](#) [620HA038NF25](#) [620HA042XM13](#) [620HB049NF17](#) [620HS011NF21](#) [620HS038NF11](#)
[620HS038Z121](#) [620HS042XM19](#) [620HS042XM25](#) [620HS042XW13](#) [620HS048B17](#) [620MS064NF09](#) [620MS064NF12](#) [620MS065M12](#)
[620MS065Z107](#) [620MS065ZNU06](#) [630J041M06H](#) [630J041M20H](#) [637S010NF0212H](#) [640830-000](#) [659943-000](#) [66241-10A](#) [CW0597-000](#)
[CW0598-000](#) [CW0948-000](#) [CY0122-000](#) [M85049/41-6A W/B](#) [M85049/42-12DS](#) [M85049/47N8](#) [M85049/47W18](#) [M85049/51-1-14S](#)
[M85049/51-1-8W](#) [M85049/51S16S](#) [M85049/60-1N16](#) [M85049/60-2G12W](#) [M85049/69-11N](#) [CZ3661-000](#) [D02922-000](#) [70.360.1628.0](#)