

Thermofit® Molded Parts

Specification Control Drawing

Part Number: 203A021

Description: Boot, Coax Strain Relief

Notes:

- All dimensions are in $\frac{\text{Inches}}{\text{[Millimeters]}}$; $\frac{\text{lbs}}{\text{[gms]}}$
- Dimensions appearing in table are as follows:
a - as supplied
b - after unrestricted recovery
- Coating is optional. As supplied dimensions appearing in table are for uncoated parts. When coating is added, entry diameters will be reduced by .06 max.
- Weight shown in table of dimensions is based on polyolefin part.

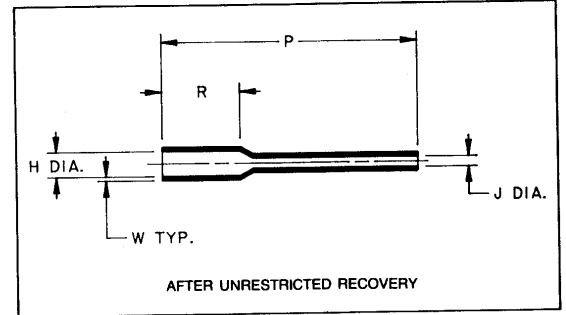
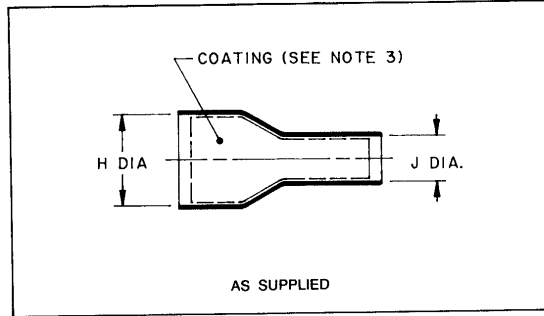


Table of Dimensions

| Part Number | H | | J | | | P | R | W | Weight |
|-------------|---------------|--------------|------------------------|--------------------------|--------------|----------------|---------------|---------------|----------------|
| | Min | Max | Min -3, -4 & -25 | Min -5, -12 & -100 | Max | ±10% | ±10% | ±20% | ±10% |
| | a | b | a | a | b | b | b | b | b |
| 203A021 | .80 [20,3] | .32 [8,1] | .40 [10,2] | .26 [6,6] | .13 [3,3] | 2.40 [61,0] | .75 [19,1] | .04 [1,02] | .003 [1,36] |

Raychem

Raychem Corporation
300 Constitution Drive
Menlo Park, California 94025
415) 361 6055

Revision: G
Date: 1-21-88

Part Number: 203A021
Description: Boot, Coax Strain Relief

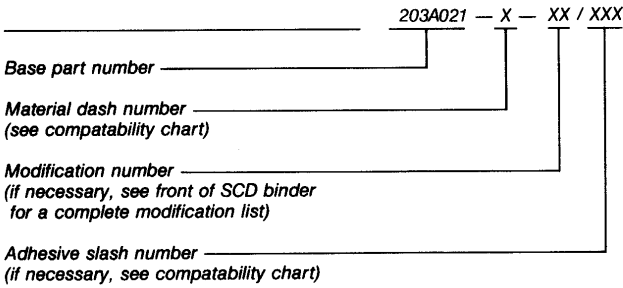
Thermofit® Molded Parts Specification Control Drawing

Part Number: 203A021
Description: Boot, Coax Strain Relief

| Compatability Chart | | | | | |
|---------------------|--|---------|-------------------|----------------|---------------------|
| Material Dash No. | Material Description | RT Spec | Coating Slash No. | Coating S. No. | Coating Description |
| -3 | Polyolefin, Semi-Rigid | RT-301 | /42 | S-1017 | Adhesive |
| -4 | Polyolefin, Flexible | RT-1304 | /42 | S-1017 | Adhesive |
| -5 | Elastomer, Flexible | RT-501 | /42 | S-1017 | Adhesive |
| -12 | *VITON, Flexible | RT-1312 | | | |
| -25 | Elastomer, Semi-Rigid | RT-1325 | /86 | S-1048 | Adhesive |
| -100 | Polyolefin, Semi-Flexible, ZEROHAL™ | RT-1323 | | | |

*VITON is a Registered Trademark of Dupont

Ordering Information:



This drawing is subject to change without notice; consult your nearest field representative for current revision.

Raychem
Raychem Corporation
300 Constitution Drive
Menlo Park, California 94025
415) 381 8055

Revision: **G**
Date: **1-21-88**

Part Number: 203A021
Description: Boot, Coax Strain Relief

X-ON Electronics

Largest Supplier of Electrical and Electronic Components

Click to view similar products for [Cable Boots](#) category:

Click to view products by [TE Connectivity](#) manufacturer:

Other Similar products are found below :

[618235-000](#) [622A014-3-0](#) [CX4132-000](#) [879103-4](#) [879515-000](#) [889092](#) [982033-2](#) [R280576000](#) [1300830729](#) [MTPSRBCL-C](#) [1811481-1](#)
[200W531-3-0](#) [202A121-386-0](#) [202A142-4-00/42-0](#) [202A163-4-0-CS5067](#) [202B221-13-0](#) [202B231-13-0](#) [202B563-25-07-0](#)
[202C621710CS5361](#) [202D132-4-07/42-0](#) [202D221-4-0-CS5349](#) [202D221-4-26-0](#) [202D263-25-08-0](#) [202D263-4-22/42-0](#) [202D263-4-88-0](#)
[202D921-2542-0](#) [202E336-71-0](#) [202F211-50-22-0-CS8474](#) [202F242-50-05-0](#) [202F242-51-04/164-0](#) [202K121-25-CS-1858-0](#) [202K121-25-](#)
[CS-2062-0](#) [202K132-25-01/225-0CS8387](#) [202K153-3-0186-0](#) [202S132-25-UP-0](#) [203W301-3/42-0](#) [207W613-100/184-0-CS5657](#) [207W623-](#)
[100-01/184-0](#) [207W634-100/184-0-CS5657](#) [207W656-100-01/184-0](#) [207W667-100-01/184-0](#) [207W667-100/184-0](#) [208A011-3-0](#) [208A021-3-](#)
[0](#) [221A011-51164-0-CS7133](#) [222A121-2586](#) [222A152-342-0](#) [222A213-25-0-CS5613](#) [222D221-25-13/86-0](#) [222D232-4-61-0-CS5078](#)