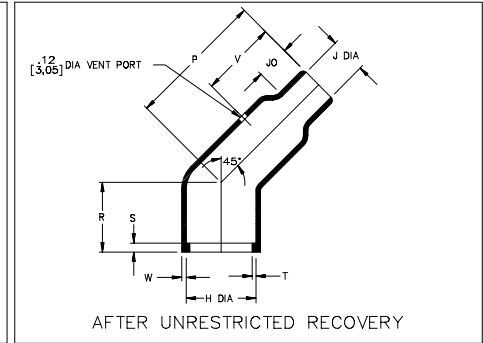
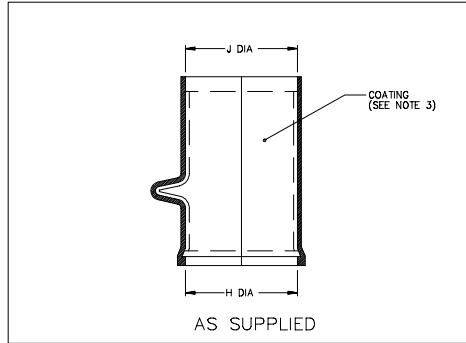


Thermofit<sup>®</sup> Molded Parts  
 Specification Control Drawing  
 Limited Distribution

Part Number : 242A3XX-X-03  
 Description : Boot, 45°, With Lip

NOTES

- All dimensions are in  $\frac{\text{inches}}{\text{millimeters}}$
- Dimensions appearing in table are as follows:  
 a - As Supplied  
 b - After Unrestricted Recovery
- Coating is optional. As supplied dimensions appearing in table are for uncoated parts. When coating is added, entry diameters will be reduced by .06 max.
- For corresponding adapter see drawing number 202C221 thru 302.



PART NUMBER	H		J		P	R	S	T	V	JO	W	This Boot Fits Convolex Tubing
	Min	Max	Min	Max	±10%	±10%	±10%	±10%	Ref	±10%	±20%	
	a	b	a	b	b	b	b	b	b	b	b	
242A312-X-03	1.00 [25,4]	.70 [17,8]	1.00 [25,4]	.37 [9,4]	1.62 [41,1]	1.00 [25,4]	.12 [3,05]	.05 [1,27]	1.03 [26,2]	.42 [10,7]	.06 [1,52]	3/8" thru 1/2"
242A322-X-03	1.50 [38,1]	.95 [24,1]	1.50 [38,1]	.49 [12,4]	1.75 [44,5]	1.00 [25,4]	.12 [3,05]	.05 [1,27]	1.03 [26,2]	.42 [10,7]	.06 [1,52]	1/2 thru 1"



RAYCHEM CORPORATION  
 300 CONSTITUTION DRIVE  
 MENLO PARK, CALIFORNIA 94025

Revision : C  
 Date : 9/22/99

Part Number : 242A3XX-X-03  
 Description : Boot, 45°, With Lip

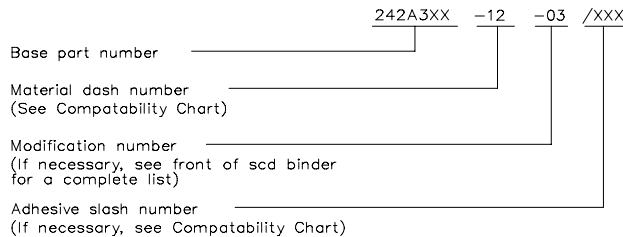
Thermofit<sup>®</sup> Molded Parts  
 Specification Control Drawing  
 Limited Distribution

Part Number : 242A3XX-X-03  
 Description : Boot, 45°, With Lip

COMPATABILITY CHART					
MATERIAL DASH NO.	MATERIAL DESCRIPTION	RT SPEC	COATING SLASH NO.	COATING S NO.	COATING DESCRIPTION
-12	*VITON, Flexible	RT-1312	N/A		

\*VITON is a Registered Trademark of Dupont

ORDERING INFORMATION



THIS DRAWING IS SUBJECT TO CHANGE WITHOUT NOTICE; CONSULT YOUR NEAREST FIELD REPRESENTATIVE FOR CURRENT REVISION



RAYCHEM CORPORATION  
 300 CONSTITUTION DRIVE  
 MENLO PARK, CALIFORNIA 94025

Revision : C  
 Date : 9/22/99

Part Number : 242A3XX-X-03  
 Description : Boot, 45°, With Lip

## X-ON Electronics

Largest Supplier of Electrical and Electronic Components

*Click to view similar products for [Cable Mounting & Accessories](#) category:*

*Click to view products by [TE Connectivity](#) manufacturer:*

Other Similar products are found below :

[HP-4N](#) [582603-1](#) [009333-000](#) [727844N003](#) [809090N001](#) [8109](#) [843188-000](#) [843459N001](#) [843460N003](#) [8666](#) [967279N002](#) [GPQC1/0](#) [DB-11](#) [1300830208](#) [1300840039](#) [1300900026](#) [1300990052](#) [1301740005](#) [1301800121](#) [1301800416](#) [1300830184](#) [1300990149](#) [1301580036](#) [1301720103](#) [1301720135](#) [1301720152](#) [1301720157](#) [1301740009](#) [1301770011](#) [1301850553](#) [1301860939](#) [1302000074](#) [1302264431](#) [1337706-2](#) [APA18-AK](#) [MTX6UTPSRC-C](#) [1-787307-1](#) [185491N001](#) [HP-6N](#) [C-202-C](#) [202C221-13-0](#) [OMTM-S10-C0](#) [205339-4](#) [CA7308-000](#) [8S23-75FR-CS8184](#) [2684](#) [9648](#) [3089](#) [988382-000](#) [A0270164](#)