

# Molded Parts Specification Control Drawing

Part Number : 362A014 thru 114  
Description : Transition, 30°, Side Breakout, Thinwall

## NOTES

- All dimensions are in  $\frac{\text{inches}}{\text{[millimeters]}}$
- Dimensions appearing in table are as follows:
  - a - As Supplied
  - b - After Unrestricted Recovery
- Coating is optional. As supplied dimensions appearing in table are for uncoated parts. When coating is added, entry diameters will be reduced by .06 max.
- Molding ports are optional. When -00 modification number is specified molding ports will be located as shown.

$\triangle 5$  /180 adhesive available only on 362A014.

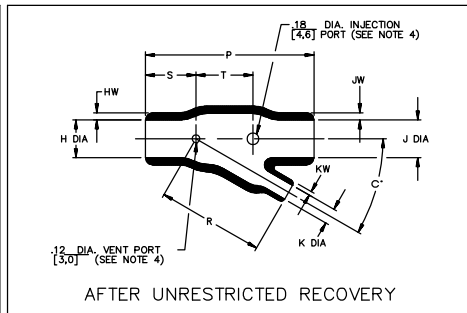
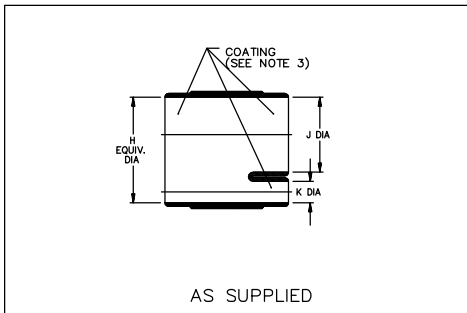


TABLE OF DIMENSIONS

PART NUMBER	H & J		K		P	R	S	T	HW	JW	KW	C'					
	Min	Max	Min	Max								±10%	±10%	±10%	±10%	±10%	±5%
	a	b	a	b								b	b	b	b	a	b
362A014	1.20 [30,5]	.62 [15,7]	.80 [20,0]	.42 [10,7]	3.25 [82,6]	2.00 [50,8]	1.25 [31,8]	.83 [21,1]	.10 [2,5]	.10 [2,5]	.07 [1,8]	10	30				
362A024	1.40 [35,6]	.72 [18,3]	.60 [15,2]	.34 [8,6]	2.50 [63,5]	1.62 [41,1]	.75 [19,1]	.88 [22,4]	.10 [2,5]	.10 [2,5]	.06 [1,5]	10	30				
362A114	1.40 [35,6]	.74 [18,8]	.40 [10,2]	.21 [5,3]	2.40 [61,0]	1.40 [35,6]	.75 [19,1]	.84 [21,3]	.11 [2,8]	.11 [2,8]	.06 [1,5]	10	30				

**STE**  
TE Connectivity  
307 CONSTITUTION DRIVE  
MENLO PARK, CALIFORNIA 94025

Revision : J1  
Date : 29MAR11

Part Number : 362A014 thru 114  
Description : Transition, 30°, Side Breakout, Thinwall

# Molded Parts Specification Control Drawing

Part Number : 362A014 thru 114  
Description : Transition, 30°, Side Breakout, Thinwall

## COMPATABILITY CHART

MATERIAL DASH NO.	MATERIAL DESCRIPTION	RT SPEC	COATING SLASH NO.	COATING S NO.	COATING DESCRIPTION
-3	Polyolefin, Semi-rigid	RT-301	/42;/86	S-1017;S-1048	Adhesive
-4	Polyolefin, Flexible	RT-1304	/42;/86	S-1017;S-1048	Adhesive
-5	Elastomer, Flexible	RT-501	N/A		
-6	Silicone	RT-602	N/A		
-12	*VITON, Flexible	RT-1312	N/A		
-25	Elastomer, Fluid Resistant	RT-1325	/86;/225	S-1048;S-1206	Adhesive
-100	Polyolefin, ZERODAL™ Semi-flexible	RT-1323	/180 $\triangle 5$	S-1030	Adhesive

\*VITON is a Registered Trademark of Dupont

## ORDERING INFORMATION

362A0XX -XX -XX /XXX

Base part number \_\_\_\_\_  
Material dash number \_\_\_\_\_  
(See Compatability Chart)  
Modification number \_\_\_\_\_  
(If necessary, see front of scd binder for a complete list)  
Adhesive slash number \_\_\_\_\_  
(If necessary, see Compatability Chart)

THIS DRAWING IS SUBJECT TO CHANGE WITHOUT NOTICE; CONSULT YOUR NEAREST FIELD REPRESENTATIVE FOR CURRENT REVISION

**STE**  
TE Connectivity  
307 CONSTITUTION DRIVE  
MENLO PARK, CALIFORNIA 94025

Revision : J1  
Date : 29MAR11

Part Number : 362A014 thru 114  
Description : Transition, 30°, Side Breakout, Thinwall

CAD FILE MP01033

## X-ON Electronics

Largest Supplier of Electrical and Electronic Components

*Click to view similar products for [Cable Boots](#) category:*

*Click to view products by [TE Connectivity](#) manufacturer:*

Other Similar products are found below :

[618235-000](#) [622A014-3-0](#) [CX4132-000](#) [879103-4](#) [879515-000](#) [889092](#) [982033-2](#) [R280576000](#) [1300830729](#) [MTPSRBCL-C](#) [1811481-1](#)  
[200W531-3-0](#) [202A121-386-0](#) [202A142-4-00/42-0](#) [202A163-4-0-CS5067](#) [202B221-13-0](#) [202B231-13-0](#) [202B563-25-07-0](#)  
[202C621710CS5361](#) [202D132-4-07/42-0](#) [202D221-4-0-CS5349](#) [202D221-4-26-0](#) [202D263-25-08-0](#) [202D263-4-22/42-0](#) [202D263-4-88-0](#)  
[202D921-2542-0](#) [202E336-71-0](#) [202F211-50-22-0-CS8474](#) [202F242-50-05-0](#) [202F242-51-04/164-0](#) [202K121-25-CS-1858-0](#) [202K121-25-](#)  
[CS-2062-0](#) [202K132-25-01/225-0CS8387](#) [202K153-3-0186-0](#) [202S132-25-UP-0](#) [203W301-3/42-0](#) [207W613-100/184-0-CS5657](#) [207W623-](#)  
[100-01/184-0](#) [207W634-100/184-0-CS5657](#) [207W656-100-01/184-0](#) [207W667-100-01/184-0](#) [207W667-100/184-0](#) [208A011-3-0](#) [208A021-3-](#)  
[0](#) [221A011-51164-0-CS7133](#) [222A121-2586](#) [222A152-342-0](#) [222A213-25-0-CS5613](#) [222D221-25-13/86-0](#) [222D232-4-61-0-CS5078](#)