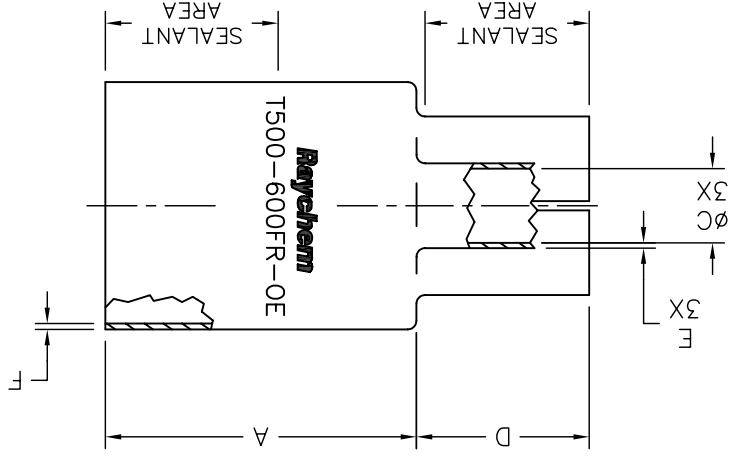
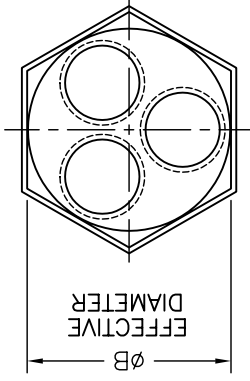


1. MATERIAL: HEAT SHRINKABLE BOOT MATERIAL TO BE FLAME RETARDANT POLYOLEFIN. THIS INCLUDES INTERNAL COATING OF FACTORY APPLIED THERMOPLASTIC ADHESIVE /97. BOOTS ARE AVAILABLE WITHOUT SEALANT ON SPECIAL ORDER.
 2. PART TO BE MARKED IN WHITE INK WITH THE NOMENCLATURE AS SHOWN.

NOTES:

| PART NUMBER | A | | ØB | | ØC | | D | E | F | |
|------------------|-----|-------|-----|-------|-----|------|-----|------|-----|------|
| | MIN | REC | MIN | EXP | MAX | REC | MIN | REC | MIN | |
| T500-600FR-OE | 7.5 | [191] | 5.7 | [145] | 2.3 | [58] | 1.0 | [25] | 2.2 | [56] |
| T500-600FR-M1-OE | 7.0 | [178] | 5.7 | [145] | 2.3 | [58] | 1.0 | [25] | 2.2 | [56] |



UNLESS OTHERWISE SPECIFIED DIMENSIONS ARE INCHES. METRIC DIMENSIONS ARE IN BRACKETS.
 DRAWN UNGUYEN
 APPROVED STRAN
 TITL 3-LEG STRAIGHT BOOTS
 T500-600FR-XX
 CODE IDENT. NO. 06090
 DWG. NO. 1500-600FR-XX
 © 1997-2009 Tyco Electronics Corporation. All rights reserved.
 DO NOT SCALE THIS DRAWING
 SHEET 1 OF 1

CUSTOMER DRAWING

Tyco Electronics
 Raychem Molded Parts
 305 Constitution Dr
 Menlo Park, CA 94025

THIRD ANGLE PROJECTION
 SIZE B
 CODE IDENT. NO. 06090
 DWG. NO. 1500-600FR-XX

© 1997-2009 Tyco Electronics Corporation. All rights reserved.
 DO NOT SCALE THIS DRAWING
 SHEET 1 OF 1

| REVISIONS | |
|-----------|---------------------------|
| LTR | DESCRIPTION |
| DATE | |
| E | REVISED PER ECO-09-019755 |
| | 08/26/2009 |

X-ON Electronics

Largest Supplier of Electrical and Electronic Components

Click to view similar products for [Circular MIL Spec Strain Reliefs & Adapters](#) category:

Click to view products by [TE Connectivity](#) manufacturer:

Other Similar products are found below :

[896227-000](#) [899170S004](#) [6000-063-0022](#) [613751-000](#) [CS6624-000](#) [620AB038Z136](#) [620AS001Z108](#) [620AS038Z112](#) [620AS038Z120](#)
[620AS038Z132](#) [620FB038NF08](#) [620HA038NF13](#) [620HA038NF25](#) [620HA042XM13](#) [620HB049NF17](#) [620HS011NF21](#) [620HS038NF11](#)
[620HS038Z121](#) [620HS042XM19](#) [620HS042XM25](#) [620HS042XW13](#) [620HS048B17](#) [620MS064NF09](#) [620MS064NF12](#) [620MS065M12](#)
[620MS065Z107](#) [620MS065ZNU06](#) [630J041M06H](#) [630J041M20H](#) [637S010NF0212H](#) [640830-000](#) [659943-000](#) [66241-10A](#) [CW0597-000](#)
[CW0598-000](#) [CW0948-000](#) [CY0122-000](#) [M85049/41-6A W/B](#) [M85049/42-12DS](#) [M85049/47N8](#) [M85049/47W18](#) [M85049/51-1-14S](#)
[M85049/51-1-8W](#) [M85049/51S16S](#) [M85049/60-1N16](#) [M85049/60-2G12W](#) [M85049/69-11N](#) [CZ3661-000](#) [D02922-000](#) [70.360.1628.0](#)