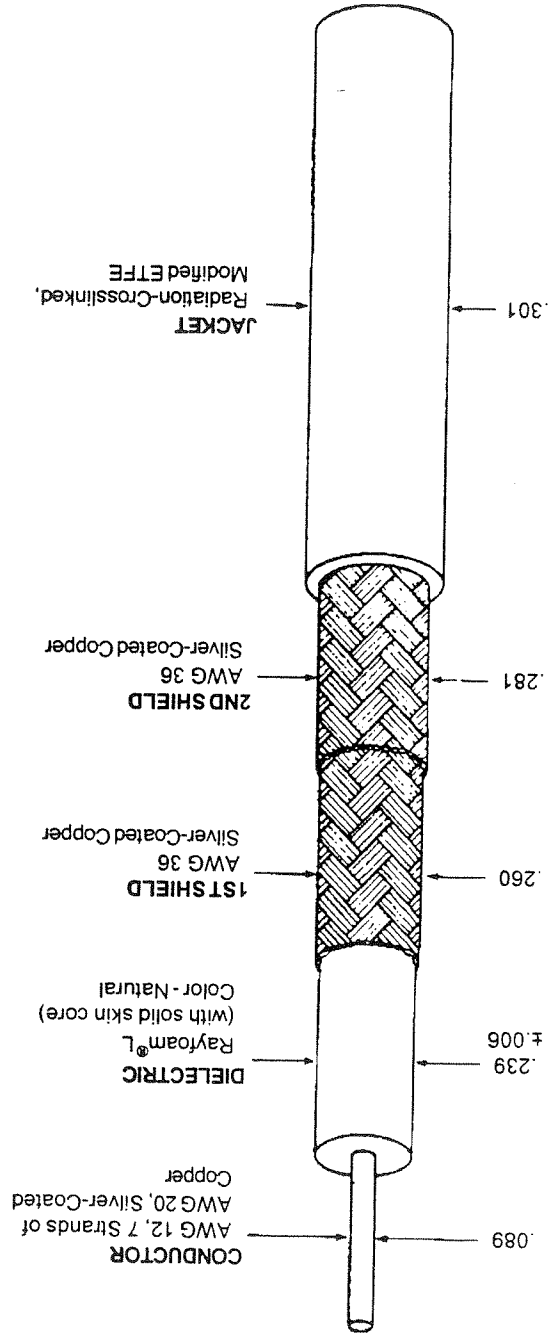


THIS SPECIFICATION SHEET FORMS A PART OF THE LATEST ISSUE OF RAYCHEM SPECIFICATION 1200.

**CONSTRUCTION DETAILS**

DIMENSIONS ARE NOMINAL VALUES IN INCHES UNLESS OTHERWISE DESIGNATED.



Outer jacket color will be black (designated by a "-0" appended to part number, e.g., 5012H3012-0) unless otherwise specified. designate outer jacket color with a dash number in accordance with MIL-STD-681.

CHARACTERISTIC IMPEDANCE 50 ± 2 ohms, Method A

CAPACITANCE 25.0 pF/ft. (minimum)

VELOCITY OF PROPAGATION 77% (nominal)

ATTENUATION 6.2 dB/100 ft. (maximum) at 400 MHz

**ELECTRICAL CHARACTERISTICS**

**ELECTRICAL**

CONDUCTOR RESISTANCE 1.7 ohms/1000ft. (nominal)

INSULATION RESISTANCE 10,000 megohms (minimum) for 1000ft.

JACKET FLAWS 1.0 kV (rms), 60 Hz

VOLTAGE WITHSTAND (DIELECTRIC) 1000 volts (rms) (minimum)

SHIELD RESISTANCE 2.2 ohms/1000ft. (nominal)

VSWR FREQUENCY (MHz) STRUCTURAL RETURN LOSS (db)

2.8 - 24	15.6 (minimum)
108 - 136	15.6 (minimum)
960 - 1215	15.6 (minimum)
4200 - 4400	14.0 (minimum)

When terminated with approved connectors

**ENVIRONMENTAL**

AGING STABILITY 135°C/-55°C/8,000 inch mandrel Method B

FLAMMABILITY 225°C

HEAT SHOCK -55°C/8,000 inch mandrel

SKYDRO RESISTANCE 24 hours at 50 ± 1°C, change in O.D. of 5% (maximum)

VOLTAGE WITHSTAND (POST ENVIRONMENTAL) 1000 volts (rms), 1 minute

**PHYSICAL**

INSULATION (DIELECTRIC) ELONGATION 50% (minimum)

JACKET TENSILE STRENGTH 800 lbf/in<sup>2</sup> (minimum)

JACKET ELONGATION 50% (minimum)

TENSILE STRENGTH 5000 lbf/in<sup>2</sup> (minimum)

JACKET THICKNESS .010 inch (nominal)

SHIELD COVERAGE (EACH) 90% (minimum)

INSULATION (DIELECTRIC) CONCENTRICITY 75% (minimum)

PRODUCT IDENTIFICATION: The cable shall be marked in contrasting color at 6 inch (nominal) intervals between marks as follows:  
Replaces EPD 5883

WEIGHT 67.9 lbs/1000ft. (nominal)

## X-ON Electronics

Largest Supplier of Electrical and Electronic Components

*Click to view similar products for [Fiber Optic Cables](#) category:*

*Click to view products by [TE Connectivity](#) manufacturer:*

Other Similar products are found below :

[FPD01SBS200](#) [FPD06SCC200](#) [FPT01SBS200](#) [FQZ-12-10](#) [FXL12D5-5F40](#) [FXO12D5-5F10Y](#) [FXO12D5-5F19Y](#) [B96566](#) [FPDK01SCC100](#)  
[HFBR-RSD005Z](#) [FX2ELQ1Q1SNM4.5](#) [FX2ELQ1Q1SNM5.5](#) [FX2ELQ1Q1SNM6.5](#) [FX2ELQ1Q1SNM7.5](#) [FX2ELQ1Q1SNM8.5](#)  
[FX2ELQ1Q1SNM9.5](#) [FX8RL7NQSVM1.5](#) [FX8RL8NQSVM1.5](#) [FX8RL7NQSVM2.5](#) [FX8RL8NQSVM2.5](#) [FX8RL7NQSVM3.5](#)  
[FX8RL8NQSVM3.5](#) [FX8RL7NQSVM4.5](#) [FX8RL8NQSVM4.5](#) [F98RL5NQSQNM1.5](#) [F98RL6NQSQNM1.5](#) [F98RL5NQSQNM2.5](#)  
[F98RL6NQSQNM2.5](#) [F98RL5NQSQNM3.5](#) [F98RL6NQSQNM3.5](#) [F98RL5NQSQNM4.5](#) [F98RL6NQSQNM4.5](#) [FZ8RL7NQSVM1.5](#)  
[FZ8RL8NQSVM1.5](#) [FZ8RL7NQSVM2.5](#) [FZ8RL8NQSVM2.5](#) [FZ8RL7NQSVM3.5](#) [FZ8RL8NQSVM3.5](#) [FZ8RL7NQSVM4.5](#)  
[FZ8RL8NQSVM4.5](#) [F9TRL5NQSSNM1.5](#) [F9TRL5NQSSNM2.5](#) [F9TRL5NQSSNM3.5](#) [F9TRL5NQSSNM4.5](#) [F9TRL6NQSSNM1.5](#)  
[F9TRL6NQSSNM2.5](#) [F9TRL6NQSSNM3.5](#) [F9TRL6NQSSNM4.5](#) [FXTRL8NQSONM1.5](#) [FZTRL8NQSONM1.5](#)