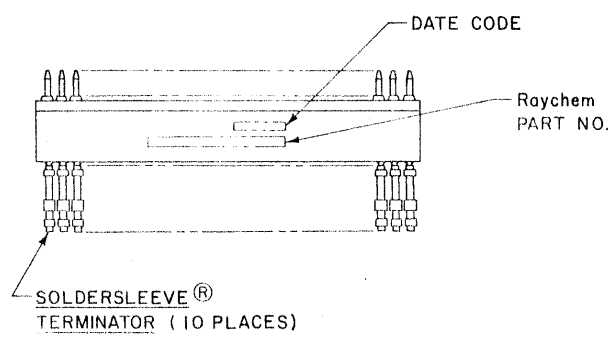
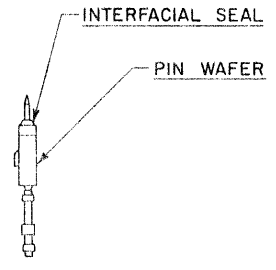
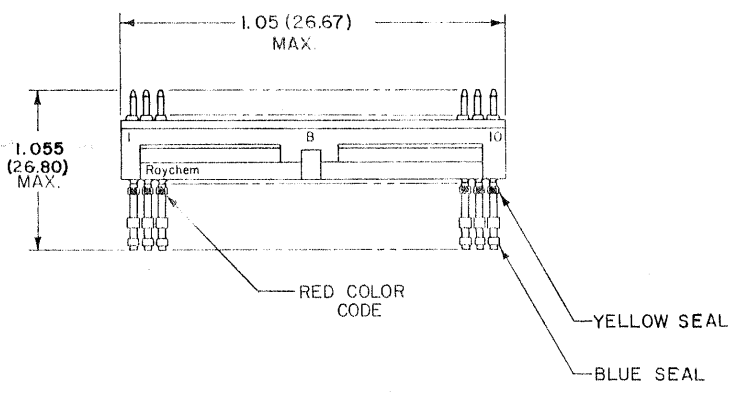
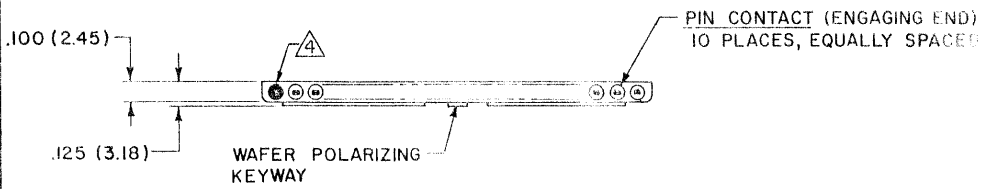


REVISIONS			
LTR	DESCRIPTION	DATE	APPROVED
2	REVISED PER ECN # T-5866	4/1/77	
A	RELEASED FOR PRODUCTION PER ECN T-012433	8/10/77	



5 WEIGHT (MAX.): 

LBS.	GRAMS
.0047	2.12

4 PIN NUMBER ONE IS MARKED IN CONTRASTING COLOR ON INTERFACIAL SEAL.

3. FINISH :
- 3-A PIN WAFER; FINISH TO BE AS MOLDED.
  - 3-B PIN CONTACT; GOLD PLATE PER MIL-G-45204, CLASS I.
  - 3-C CONTACT TAIL; COATED WITH Sn63 SOLDER PER QQ-S-571

2. MATERIAL :
- 2-A PIN WAFER; HIGH GRADE POLYARYLENE THERMOPLASTIC.
  - 2-B PIN CONTACT; COPPER ALLOY PER QQ-B-613 OR QQ-C-502.
  - 2-C INTERFACIAL SEAL; SILICONE ELASTOMER PER MIL-R-25988.
  - 2-D SOLDERSLEEVE® TERMINATOR; REFER TO RAYCHEM DWG. CTA-0068 FOR DATA.

1. THIS WAFER ASSEMBLY USED IN MTC100 CONNECTORS.

NOTES:

SPECIFICATION CONTROL DRAWING © Raychem Corporation 1983

DRAWN	HAWKINGS	10-16-83	<b>Raychem</b> <small>RAYCHEM CORPORATION 300 CONSTITUTION DRIVE MENLO PARK, CALIFORNIA 94025</small>	
CHECKED	B			
APPROVED	Blair	12-2-83	<b>TITLE</b> WAFER ASSEMBLY, PIN, "B" STYLE, 1", 10 CONTACTS; WITH OVAL ENTRY FOR 20-26 AWG. TEMP. RATING MTC100 SERIES	
APPROVED	Walker	12-2-83		
UNLESS OTHERWISE SPECIFIED DIMENSIONS ARE IN INCHES ±.005 METRIC DIMENSIONS ARE IN PARENTHESIS (M.M.)			SIZE	CODE IDENT NO.
DO NOT SCALE THIS DRAWING			C	06090
			DWG NO.	MTC100-JBI-P14
			WEIGHT	5
			SHEET 1 OF 1	

## X-ON Electronics

Largest Supplier of Electrical and Electronic Components

*Click to view similar products for [Headers & Wire Housings](#) category:*

*Click to view products by [TE Connectivity](#) manufacturer:*

Other Similar products are found below :

[95000-104TRLF](#) [10135584-644402LF](#) [DF62W-EP2022PCA](#) [95000-106TRLF](#) [DF62W-2022SCA](#) [DF62W-EP2022PC](#) [2203348](#) [DF62W-2022SC](#) [1084018](#) [1029039](#) [1084017](#) [802-10-012-10-002000](#) [1112640](#) [1112639](#) [000-34000](#) [0009482033](#) [0009507031](#) [57102-S06-03LF](#) [57202-S52-04LF](#) [PCN6-15S-2.5E](#) [0039019024](#) [58102-G61-06LF](#) [582553-1](#) [0009485154](#) [0009508121](#) [0022285053](#) [0050291907](#) [018731A](#) [LY20-4P-DT1-P1E-BR](#) [02.125.8002.8](#) [60101931](#) [60598-1 \(Cut Strip\)](#) [M1625-3R/100](#) [61062-3](#) [61082-181009](#) [636-1427](#) [638009-1](#) [641938-9](#) [641991-4](#) [644168-1](#) [647662-1](#) [65039-019ELF](#) [65817-002LF](#) [65817-015LF](#) [65863-015LF](#) [66207-023LF](#) [67016-026LF](#) [67046-001LF](#) [67095-007LF](#) [67230-005LF](#)