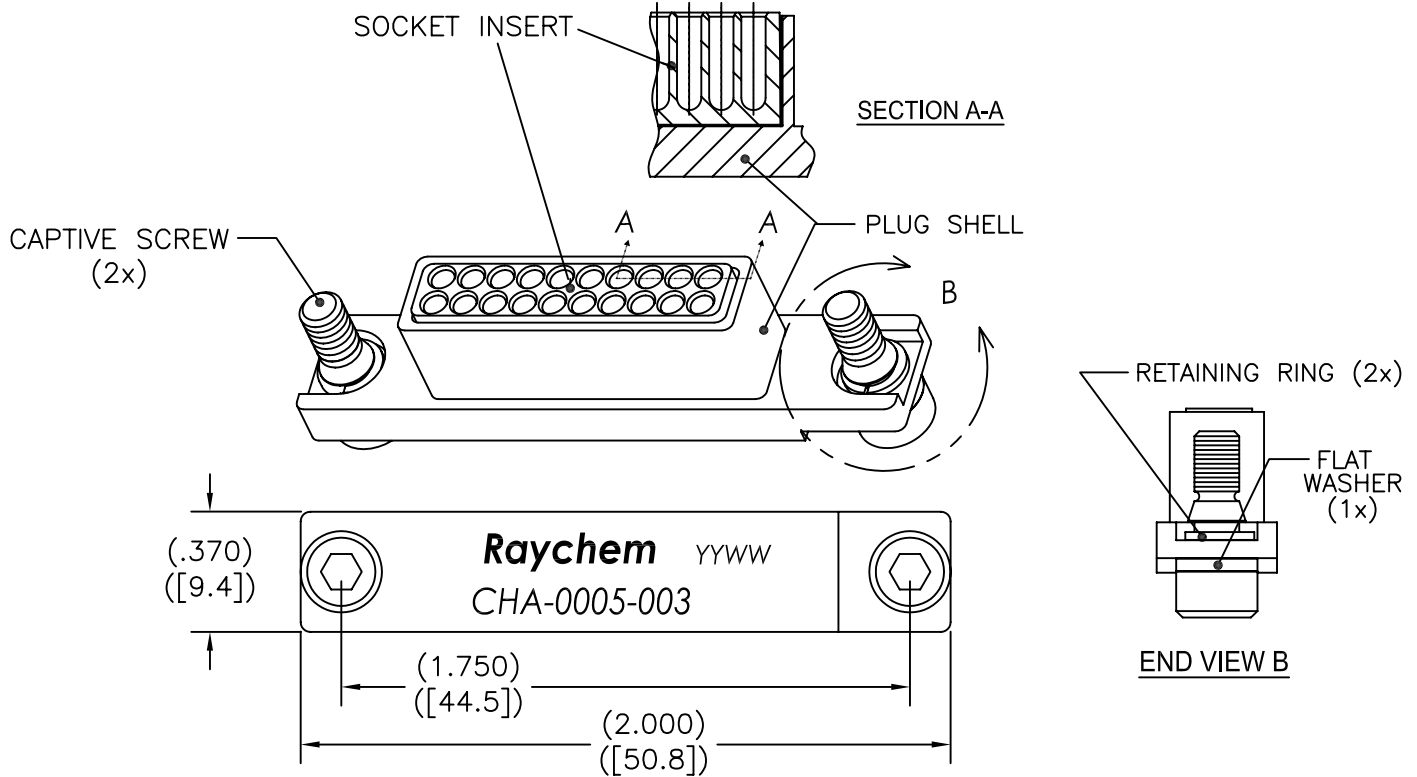


THIS DRAWING AND THE INFORMATION SET FORTH HERE-ON ARE THE PROPERTY OF TYCO ELECTRONICS CORPORATION, AND ARE TO BE HELD IN TRUST AND CONFIDENCE. PUBLICATION, DUPLICATION, DISCLOSURE, OR USE FOR ANY PURPOSE NOT EXPRESSLY AUTHORIZED IN WRITING BY TYCO ELECTRONICS CORPORATION IS PROHIBITED.

REVISIONS			
LTR	DESCRIPTION	DATE	APPROVED
B	REVISED PER DCR# T-28331	11/9/2000	M.HIGGY
C	ECO-09-002665	Feb/3/09	M.HIGGY



NOTES:

1. PROTECTIVE CAP PUG WITH SOCKET INSERT, MTC100 SERIES 1 INCH, DESIGNED TO ENVIRONMENTALLY SEAL THE MATING RECEPTACLE SHELL WITH PIN CONTACTS.

2. PLUG SHELL:

MATERIAL: ALUMINUM ALLOY PER ASTM B85 4291 (QQ-A-591) OR SAE-AMS-QQ-A-225.  
FINISH: CADMIUM PLATED PER SAE-AMS-QQ-P-416 OVER NICKEL UNDER-PLATE.

SOCKET INSERT:

MATERIAL: HARD PLASTIC PER ASTM D 5948-96 (MIL-M-14, TYPE MFH).

CAPTIVE SCREW:

MATERIAL: STAINLESS STEEL PER ASTM A 240 (QQ-S-766).  
FINISH: CADMIUM PLATED PER SAE-AMS-QQ-P-416.

RETAINING RING:

MATERIAL: COPPER ALLOY 172 PER ASTM B194  
FINISH: CADMIUM PLATED PER SAE-AMS-QQ-P-416, CLASS 2, TYPE II.

FLAT WASHER:

MATERIAL: STAINLESS STEEL PER ASTM A 240/A 240M  
FINISH: CADMIUM PLATED PER SAE-AMS-QQ-P-416.

3. WEIGHT: 0.023 LBS [10.6 Grams] MAXIMUM.

© 2009 Tyco Electronics. All rights reserved.

CUSTOMER DRAWING

UNLESS OTHERWISE SPECIFIED DIMENSIONS ARE IN INCHES. METRIC DIMENSIONS ARE IN BRACKETS.  DECIMALS .XX ± .015 [.38 mm] .XXX ± .010 [.25 mm]  ANGLES .X ± ---	REDRAWN ZSOFIA ORBAN	DATE Jan/29/09		Raychem Interconnect 300 Constitution Drive Menlo Park, CA 94025 U.S.A		
	CHECKED -	DATE -		TITLE 1 INCH PROTECTIVE CAP PLUG, WITH SOCKET INSERT, CADMIUM PLATED MTC 100 SERIES		
	APPROVED -	DATE -	CAD NAME CHA-0005-003			
	APPROVED M. HIGGY	DATE Jan/29/09	SIZE A	CAGE CODE: 06090	DWG. NO. CHA-0005-003	REV C
THIRD ANGLE PROJECTION			DO NOT SCALE THIS DWG		SHEET 1 OF 1	

## X-ON Electronics

Largest Supplier of Electrical and Electronic Components

*Click to view similar products for [Heat Shrink Tubing and Sleeves](#) category:*

*Click to view products by [TE Connectivity](#) manufacturer:*

Other Similar products are found below :

[770-006S102](#) [5685710001](#) [CR8248-000](#) [CR9960-000](#) [603312-4](#) [607381P039](#) [611112-000](#) [617867N001](#) [6500750004](#) [CZ1420-000](#) [D-306-38](#)  
[770-007A303](#) [770-010Y106W1](#) [770-010Y706W1](#) [7771210001](#) [MFP-1/4"-Clear](#) [MFP-3/64"-Clear](#) [790-3012](#) [MFT-MT2000-NO.14-0-SP](#)  
[MHHT-4-15K2-G-104](#) [MIL-LT-1-1/2-4-SP](#) [MIL-LT-1-1/2-9-STK](#) [MIL-LT-1/2-2-STK](#) [MIL-LT-3-0-SP](#) [MIL-LT-3/32-0-SP](#) [MIL-LT-3/32-6-SP](#) [MIL-LT-3/4-6-SP](#) [MIL-LT-3/8-0-SP](#) [8159270001](#) [839602-000](#) [8423-6](#) [FP301-116-6"-Black](#) [FP301-1/2-48"-Black](#) [FP301-12-48"-Black-Hdr](#) [FP301-1/4-48"-Black](#) [FP301-1/4-48"-White-Hdr](#) [FP301-1-6"-Clear](#) [FP301-18-48"-Black-Hdr](#) [FP301-1/8-6"-Black](#) [FP301-18-6"-Black-Bulk](#) [FP301-316-48"-Blue-Hdr](#) [FP301-316-6"-Clear](#) [FP301-332-6"-Black](#) [912229N002](#) [120-126-16BL](#) [121-001-09](#) [121-018-32](#) [121-018-40](#)  
[121-123-1-1-32BTC](#) [121-123-1-1-40BTC](#)