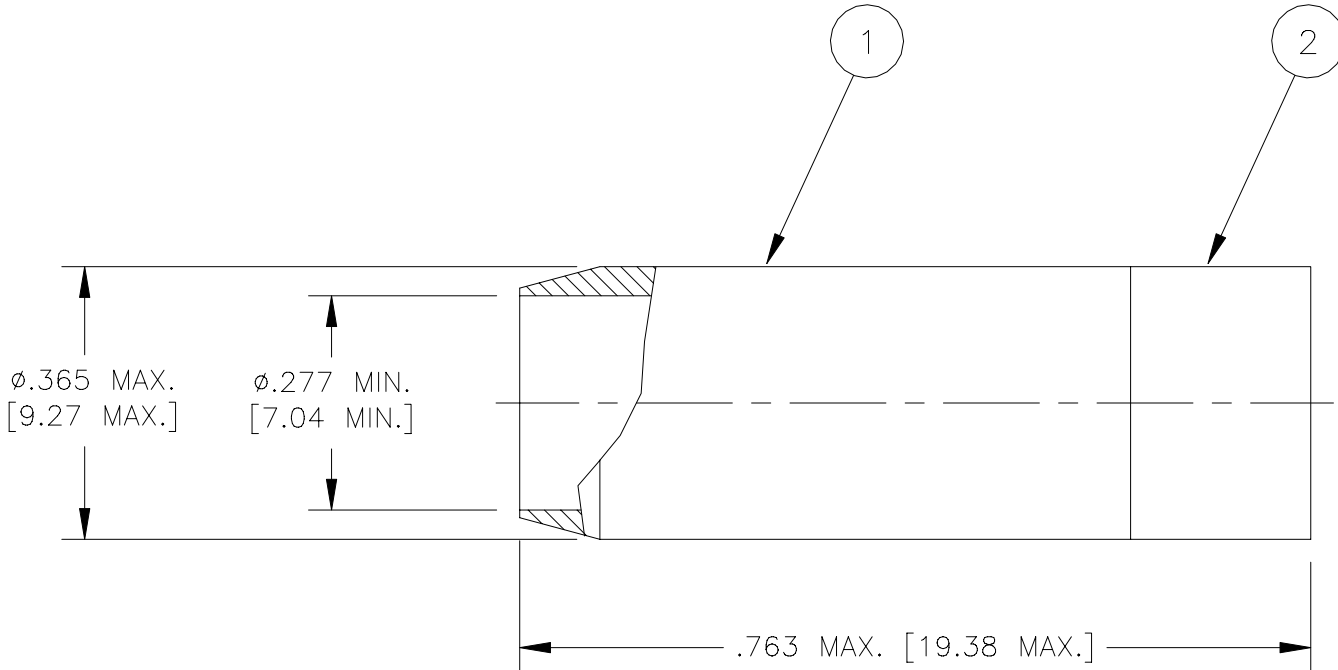


THIS DRAWING AND THE INFORMATION SET FORTH HERE-  
ON ARE THE PROPERTY OF TYCO ELECTRONICS,  
AND ARE TO BE HELD IN TRUST AND CONFIDENCE. PUB-  
LICATION, DUPLICATION, DISCLOSURE, OR USE FOR ANY  
PURPOSE NOT EXPRESSLY AUTHORIZED IN WRITING BY  
TYCO ELECTRONICS IS PROHIBITED.

REVISIONS			
LTR	DESCRIPTION	DATE	APPROVED
B	FRANCE/DCR# T-22741 3/30/99 M.HIGGY	27/SEP/92	HISTORY FILE
C	TRANSLATE AND REDRAW ON CAD PER DCR# T-31799	May/23/03	M.HIGGY

## SHORT SEALING GROMMET



### NOTES:

- MATERIAL: ITEM 1, BODY: 30% GLASS FIELD POLYARLENE.  
ITEM 2, SEAL: FLUOROSILICONE.
- CABLE ACCOMMODATION:  $\phi.125/\phi.185$  INCHES (3.20mm/4.70mm)
- THIS GROMMET IS DESIGNED FOR USE WITH A RAYCHEM SIZE 8 TRI-AXIAL SOLDERCONTACT CONTACT. SIMILAR TO DK-602-0156-X, DK-602-0156-N-X, DK-602-0157-X AND DK-602-0159-N-X.
- PROPER FIT OF GROMMET IS DEPENDENT UPON A SPECIFIC CONNECTOR PRODUCT. CONSULT RAYCHEM FOR APPLICATION AND USE OF THIS GROMMET.

## SPECIFICATION CONTROL DRAWING

UNLESS OTHERWISE SPECIFIED DIMENSIONS ARE IN INCHES. METRIC DIMENSIONS ARE IN BRACKETS.	DRAWN	ZS.O.	May/23/03	<b>tyco</b> <b>Electronics</b>	TYCO ELECTRONICS 300 Constitution Drive Menlo Park, CA. 94025 USA	<b>Raychem</b>	
	CHECKED						
DECIMALS .XXX $\pm$ .010 [ — mm] .XX $\pm$ .03 [ — mm] ANGLES .X $\pm$ 1°	APPROVED	M.HIGGY	May/23/03	TITLE SHORT SEALING GROMMET FOR MIL-C-38999 CONNECTOR SIZE 8 CAVITY			
	CAD NAME:	T31799.DWG					
WEIGHT — lbs [ — g]	RPN. NO.			SIZE	CODE IDENT. NO.	DWG. NO.	REV
THIRD ANGLE PROJECTION			A	06090	D-600-0125	C	
				DO NOT SCALE THIS DRAWING		SCALE: NONE	SHEET 1 OF 1

## X-ON Electronics

Largest Supplier of Electrical and Electronic Components

*Click to view similar products for [Data Bus Components - Connectors](#) category:*

*Click to view products by [TE Connectivity](#) manufacturer:*

Other Similar products are found below :

[891382-000](#) [626023-000](#) [855793-000](#) [D-500-0255-021-01CS252](#) [D-621-0211](#) [D-704-0079](#) [DK-621-0047-2PCS228](#) [DK-621-0412CS325](#)  
[DK-621-1637-3P](#) [911225N001](#) [F33352-000](#) [187711-000](#) [201526-000](#) [491952-000](#) [D-600-0174](#) [D-621-0011CS1271](#) [D-621-0472](#) [D-711-03](#)  
[DK-621-0050-1P](#) [DK-621-0412-UP](#) [DK-621-0440-4P-CS1498](#) [499725-000](#) [514433-000](#) [E40867-000](#) [614637N002](#) [645241N002](#) [734977-000](#)  
[D-500-L455-1-612-360](#) [DK-621-0436-2P-CS1498](#) [041809-000](#) [199653-000](#) [580047-000](#) [608041-000](#) [DK-621-0411-45S](#) [DK-621-0411-US](#)  
[DK-621-1633-1S](#) [DK-621-1635-2PCS324](#) [DK-621-1636-2S](#) [DK-621-1638-3S](#) [DK-621-1639-4S](#) [DK-621-1640-4P](#) [149317-000](#) [DK-621-](#)  
[0435R-2S](#) [915480-000](#) [DK-621-0435-2UP](#) [D-621-0412-JD](#) [D-621-0477](#) [D-621-0412](#) [DK-621-0411-UP](#) [DK-621-0437-3S](#)