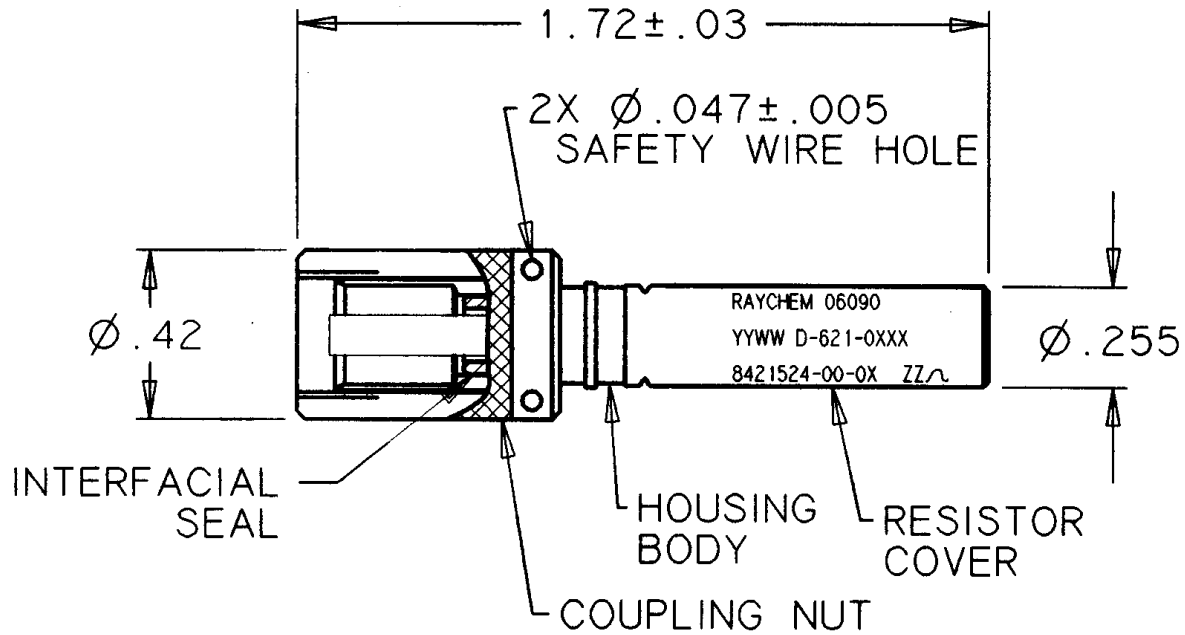


-XXXX(-L) *
 -0112(-L)
 -0406(-L)
 -0407(-L)
 -0413(-L)
 -0415(-L)
 -0417(-L)
 -0418(-L)
 -0423(-L)
 -0424(-L)

REVISIONS			
LTR	DESCRIPTION	DATE	APPROVED
	RELEASED PER E.C.N. T-8409	87-7	I.M.
A	REVISED PER E.C.N. T-8576	87-9-2	I.M.
B	REVISED PER E.C.N. T-9548	88-4-7	I.M.
C	REVISED PER E.C.N. T-10386	88-7-15	Z.T.
D	REVISED PER E.C.N. T-14157	90-4-10	Z.T.
E	REVISED PER E.C.N. T-16949 "WAS" D-621-XXXX(-L)	92-1-6	Z.T.



TRIAxIAL CONNECTOR, PLUG

SPECIFICATION CONTROL DRAWING

UNLESS OTHERWISE SPECIFIED DIMENSIONS ARE IN INCHES. METRIC DIMENSIONS ARE IN BRACKETS. DECIMALS .XXX ± .005 { mm } .XX ± .01 { mm } ANGLES .X ± WEIGHT:	DRAWN	terry	87-6-22	Tyco Electronics Corporation 300 Constitutional Drive Menlo Park, CA 94025 USA Raychem Electronics	TITLE THREADED CORROSION RESISTANT CONNECTORIZED, RESISTOR TERMINATOR INCLUDING USAF NUMBERS
	CHECKED				
	APPROVED				
	APPROVED				
	CAD NAME	003375-1			
THIRD ANGLE PROJECTION			SIZE A CODE IDENT. NO. 06090 DWG. NO. D-621-0112/04XX(-L) * REV E		
DO NOT SCALE THIS DRAWING				SHEET 1 OF 6	



MOUNTING HOLE
DIMENSION



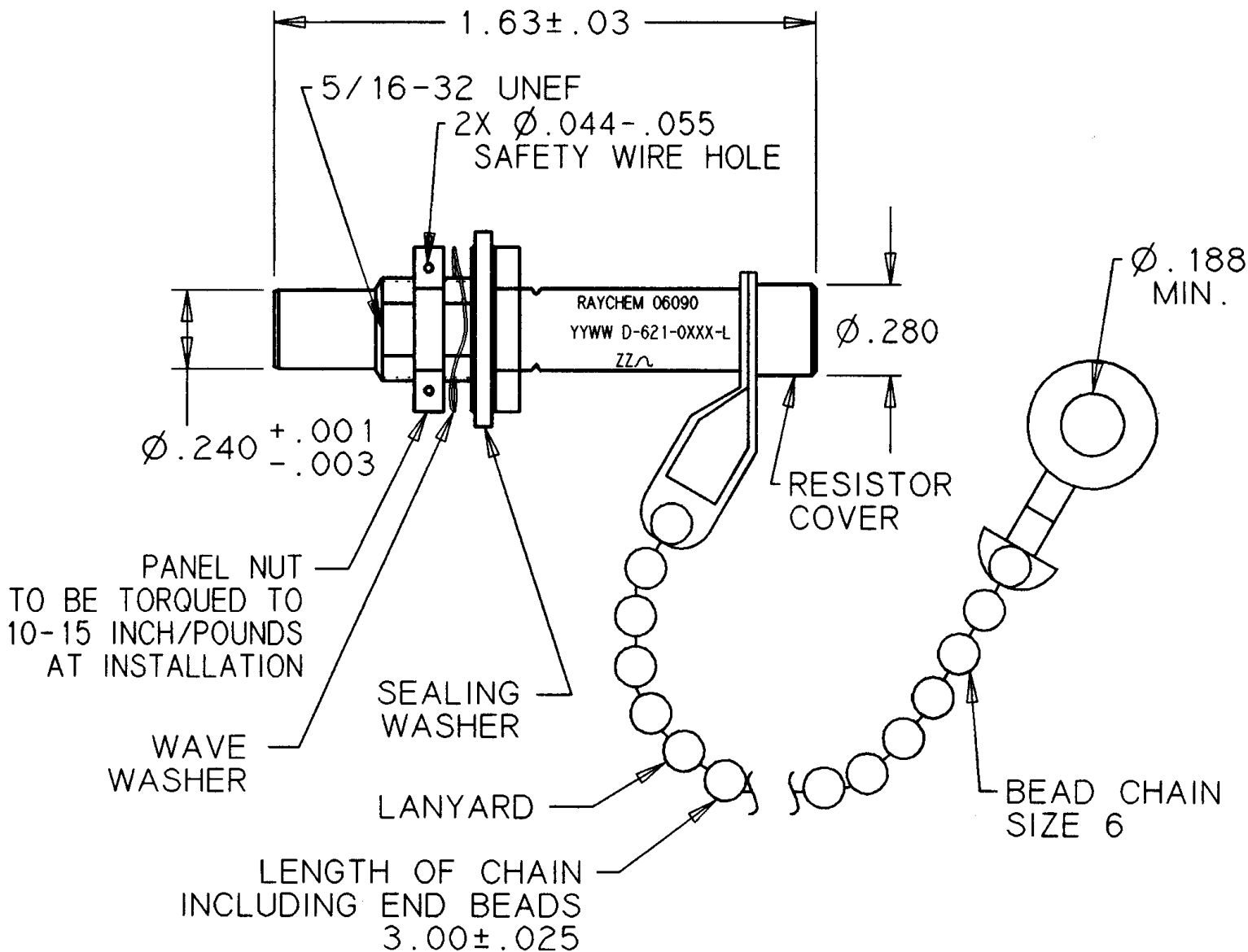
TRIAxIAL CONNECTOR, JACK

CAD NAME: 003375-2	DRAWN	J.B.K.	91 DEC 3	SIZE	CODE IDENT. NO.	DWG. NO.	REV
	ISSUED			A	06090	D-621-0112/04XX[-L]	E
DO NOT SCALE THIS DRAWING						SHEET 2 OF 6	



TRIAxIAL CONNECTOR, PLUG

CAD NAME: 003375-3	DRAWN	J.B.K.	91 DEC 3	SIZE	CODE IDENT. NO.	DWG. NO.	REV
	ISSUED			A	06090	D-621-0112/04XX[-L]	E
DO NOT SCALE THIS DRAWING						SHEET 3 OF 6	



TRIAxIAL CONNECTOR, JACK

CAD NAME: 003375-4	DRAWN	J.B.K.	91 DEC 3	SIZE	CODE IDENT. NO.	DWG. NO.	REV
	ISSUED			A	06090	D-621-0112/04XX[-L]	E
DO NOT SCALE THIS DRAWING						SHEET 4 OF 6	

1.0 MATERIALS

- 1.1 PLUG BODY AND COUPLING NUT: BRASS ALLOY PER ASTM B 16
- 1.2 JACK BODY: BECU PER QQ-C-530, ALLOY 173
CONDITION A OR H
- 1.3 PANEL NUT: BRASS ALLOY PER ASTM B 16
- 1.4 WAVE WASHER: SPRING STEEL OR BECU, TIN PLATED PER MIL-T-10727
- 1.5 RESISTOR COVER: STAINLESS STEEL TYPE 303 PER ASTM A582
- 1.6 LANYARD: CORROSION RESISTANT STEEL
- 1.7 SEALING WASHER:
 - 1.7.1 ELASTOMER: SILICONE PER AMS-3304
 - 1.7.2 WASHER: CORROSION RESISTANT STEEL PER MIL-S-5059
HALF HARD OR ANNEALED
PASSIVATED PER QQ-P-35

2.0 FINISHES

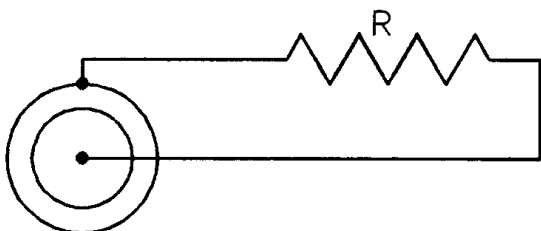
- 2.1 1.1 THRU 1.6: TIN PLATED PER MIL-T-10727 TYPE 1,
OVER SUITABLE NICKEL UNDERPLATE
TO WITHSTAND 500 HOUR SALT SPRAY TEST

3.0 INTERMATEABILITY

- 3.1 SEE TABLE
- 3.2 REFER TO RAYCHEM D-602-0126 AND D-602-0127 FOR CONTACT
INTERMATEABILITY, MATERIAL AND DIMENSIONS.

4.0 PERFORMANCE CHARACTERISTICS

- 4.1 OPERATING TEMPERATURE: -65°C TO +125°C
- 4.2 POWER RATING: 1 WATT MAX.
- 4.3 INSULATION RESISTANCE: GREATER THAN 5K MEG
- 4.4 HIGH POTENTIAL, MATED, SEA LEVEL: 900 VOLTS AT 60 HZ
- 4.5 TERMINATOR RESISTANCE: SEE TABLE
- 4.6 REFER TO RAYCHEM SPECIFICATIONS D-6025 AND D-6020 FOR
OTHER APPLICABLE PERFORMANCE AND QUALIFICATION REQUIREMENTS.
- 4.7 SALT SPRAY CORROSION RESISTANCE: 500 HOURS



R=SEE TABLE FOR RESISTANCE VALUE.
SHEET 6 OF 6

CAD NAME: 003375-5	DRAWN	J.B.K.	91 DEC 3	SIZE	CODE IDENT. NO.	DWG. NO.	REV
	ISSUED			A	06090	D-621-0112/04XX[-L]	E
DO NOT SCALE THIS DRAWING						SHEET 5 OF 6	

NOTES:

① SUFFIX "L" INDICATES PARTS WITH LANYARD.

② WEIGHT: PLUG: 19 GRAMS MAX., WITH LANYARD 24 GRAMS MAX.
JACK: 14 GRAMS MAX., WITH LANYARD 19 GRAMS MAX.

① DRAWING NO.	CONN.	INSTALLED CONTACT	MATING CONNECTOR	MATING CONTACT	RESISTANCE VALUE ±2%
D-621-0112(-L)	PLUG	PIN	D-621-0412	SOCKET	50 OHMS
D-621-0406(-L)	JACK	SOCKET	D-621-0411	PIN	78 OHMS
D-621-0407(-L)	PLUG	SOCKET	D-621-0412	PIN	3000 OHMS
D-621-0413(-L)	PLUG	PIN	D-621-0412	SOCKET	78 OHMS
D-621-0415(-L)	PLUG	SOCKET	D-621-0412	PIN	78 OHMS
D-621-0417(-L)	PLUG	PIN	D-621-0412	SOCKET	3000 OHMS
D-621-0418(-L)	JACK	PIN	D-621-0411	SOCKET	78 OHMS
D-621-0423(-L)	JACK	PIN	D-621-0411	SOCKET	3000 OHMS
D-621-0424(-L)	JACK	SOCKET	D-621-0411	PIN	3000 OHMS

U. S. AIR FORCE SPECIAL MARKING	
AIR FORCE TERMINATOR	AIR FORCE DRAWING NO.
D-621-0406	842 1525-00-04
D-621-0407	842 1524-00-02
D-621-0413	842 1524-00-03
D-621-0415	842 1524-00-04
D-621-0417	842 1524-00-01
D-621-0418	842 1525-00-03
D-621-0423	842 1525-00-01
D-621-0424	842 1525-00-02

CAD NAME: 003375-6	DRAWN	J. B. K.	91 DEC 3	SIZE	CODE IDENT. NO.	DWG. NO.	REV
	ISSUED			A	06090	D-621-0112/04XX(-L)	E
DO NOT SCALE THIS DRAWING						SHEET 6 OF 6	

X-ON Electronics

Largest Supplier of Electrical and Electronic Components

Click to view similar products for [Data Bus Components - Connectors](#) category:

Click to view products by [TE Connectivity](#) manufacturer:

Other Similar products are found below :

[891382-000](#) [626023-000](#) [855793-000](#) [D-500-0255-021-01CS252](#) [D-621-0211](#) [D-704-0079](#) [DK-621-0047-2PCS228](#) [DK-621-0412CS325](#)
[DK-621-1637-3P](#) [911225N001](#) [F33352-000](#) [187711-000](#) [201526-000](#) [491952-000](#) [D-600-0174](#) [D-621-0011CS1271](#) [D-621-0472](#) [D-711-03](#)
[DK-621-0050-1P](#) [DK-621-0412-UP](#) [DK-621-0440-4P-CS1498](#) [499725-000](#) [514433-000](#) [E40867-000](#) [614637N002](#) [645241N002](#) [734977-000](#)
[D-500-L455-1-612-360](#) [DK-621-0436-2P-CS1498](#) [041809-000](#) [199653-000](#) [580047-000](#) [608041-000](#) [DK-621-0411-45S](#) [DK-621-0411-US](#)
[DK-621-1633-1S](#) [DK-621-1635-2PCS324](#) [DK-621-1636-2S](#) [DK-621-1638-3S](#) [DK-621-1639-4S](#) [DK-621-1640-4P](#) [149317-000](#) [DK-621-](#)
[0435R-2S](#) [915480-000](#) [DK-621-0435-2UP](#) [D-621-0412-JD](#) [D-621-0477](#) [D-621-0412](#) [DK-621-0411-UP](#) [DK-621-0437-3S](#)