

Raychem

SPECIFICATION
CONTROL DRAWING

Product name

DK-3716-Fx21-Cy

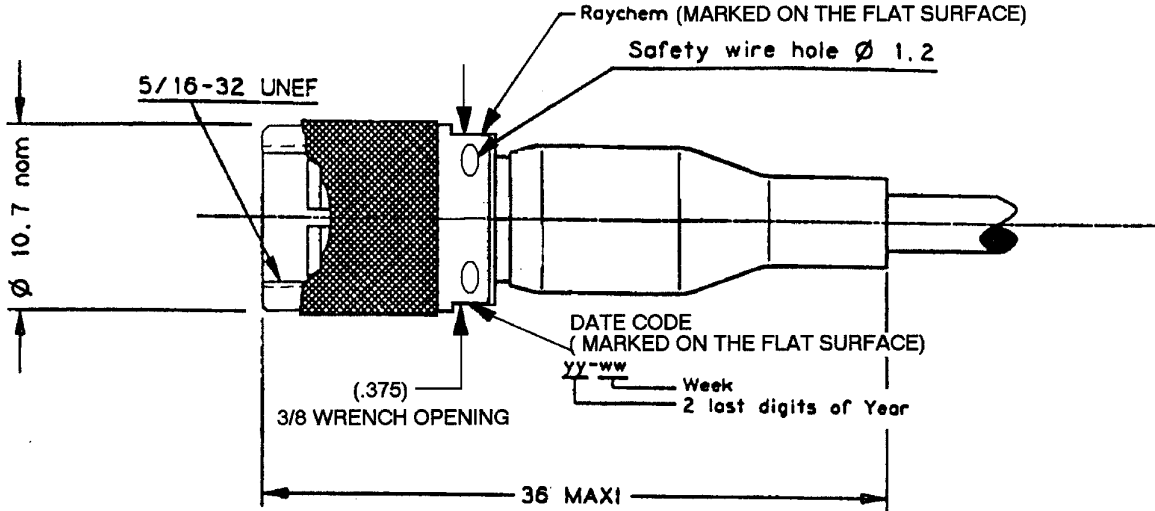
Date

2/22/2000

Revision

C

THREADED, COAXIAL CONNECTOR



PART NUMBERING SYSTEM

DK-3716-Fx21-Cy

Serie

Connector type

F : Plug

Cable type

1 : Single braid

2 : Double braid / Superscreened

Contact type

P : Pin

S : Socket

Coaxial cable

Serial Number

Dimensions are in millimeters

DRAWN G. PONS
Engineering

APPROVED R. DE GONTI
Product Manager

REVISÉ PER DCR# T-24274 1/31/2000
REVISÉ PER DCR# T-24311 2/22/2000

APPROVED G. BRUN
Development

APPROVED B. DAUVILLIERS
Quality Assurance

PROJECT NUMBER

CAD : T 24311 a.b.TIF

1 MATERIALS AND FINISHES

- 1.1 Housing Body: Brass Alloy per QQ-B-626D
Tin Plated per MIL-T-10727
Over Nickel per MIL-C-26074
- 1.2 Coupling Nut: Brass Alloy per QQ-B-626D
Tin Plated per MIL-T-10727
Over Nickel per MIL-C-26074
- 1.3 Insulation (MIP): Polyethersulfone
- 1.4 Interfacial Seal: Silicone Rubber

2 WIRE ACCOMMODATIONS

- 2.1 The connector will terminate to a coaxial cable AWG 24.
- 2.2 Termination procedure : Raychem RPIP-703-00.

3 INTERMATEABILITY

- 3.1 This connector will mate with DK-3716-Exxx-yy.

4 CONTACTS

- 4.1 This connector will accommodate the following Raychem contacts :

Part No.	Description
D-602-0152	Coaxial, Pin
D-602-0153	Coaxial, Socket

5 PERFORMANCE CAPABILITIES

- 5.1 Designed to meet Raychem Performance Specification D-6025
No qualification testing is scheduled. The user shall satisfy himself that the product is suitable for use under the conditions pertaining to his application.
- 5.2 General Characteristics
- 5.2.1 Maximum Operating Temperature : 150°C.
 - 5.2.2 Current Rating : 3 amps maximum.
 - 5.2.3 Insulation Resistance : 5000 megohms minimum.
 - 5.2.4 High Potential, Mated, Sea Level : 900 volts at 60 Hz.
 - 5.2.5 Contact Resistance, Initial : 8 milliohms maximum.
 - 5.2.6 Connector Mating Coupling Torque : 1,13 m.N maximum.
 - 5.2.7 Insertion Force : 1.4 kg maximum.
 - 5.2.8 Withdrawal Force : 30 g maximum.
 - 5.2.9 Contact Retention Terminated : 9 kg minimum.
 - 5.2.10 Durability : 500 cycles.
 - 5.2.11 Corrosion Resistance : 500 hours.
 - 5.2.12 Weight : 12 g Max.

X-ON Electronics

Largest Supplier of Electrical and Electronic Components

Click to view similar products for [Data Bus Components - Connectors](#) category:

Click to view products by [TE Connectivity](#) manufacturer:

Other Similar products are found below :

[891382-000](#) [626023-000](#) [855793-000](#) [D-500-0255-021-01CS252](#) [D-621-0211](#) [D-704-0079](#) [DK-621-0047-2PCS228](#) [DK-621-0412CS325](#)
[DK-621-1637-3P](#) [911225N001](#) [F33352-000](#) [187711-000](#) [201526-000](#) [491952-000](#) [D-600-0174](#) [D-621-0011CS1271](#) [D-621-0472](#) [D-711-03](#)
[DK-621-0050-1P](#) [DK-621-0412-UP](#) [DK-621-0440-4P-CS1498](#) [499725-000](#) [514433-000](#) [E40867-000](#) [614637N002](#) [645241N002](#) [734977-000](#)
[D-500-L455-1-612-360](#) [DK-621-0436-2P-CS1498](#) [041809-000](#) [199653-000](#) [580047-000](#) [608041-000](#) [DK-621-0411-45S](#) [DK-621-0411-US](#)
[DK-621-1633-1S](#) [DK-621-1635-2PCS324](#) [DK-621-1636-2S](#) [DK-621-1638-3S](#) [DK-621-1639-4S](#) [DK-621-1640-4P](#) [149317-000](#) [DK-621-](#)
[0435R-2S](#) [915480-000](#) [DK-621-0435-2UP](#) [D-621-0412-JD](#) [D-621-0477](#) [D-621-0412](#) [DK-621-0411-UP](#) [DK-621-0437-3S](#)