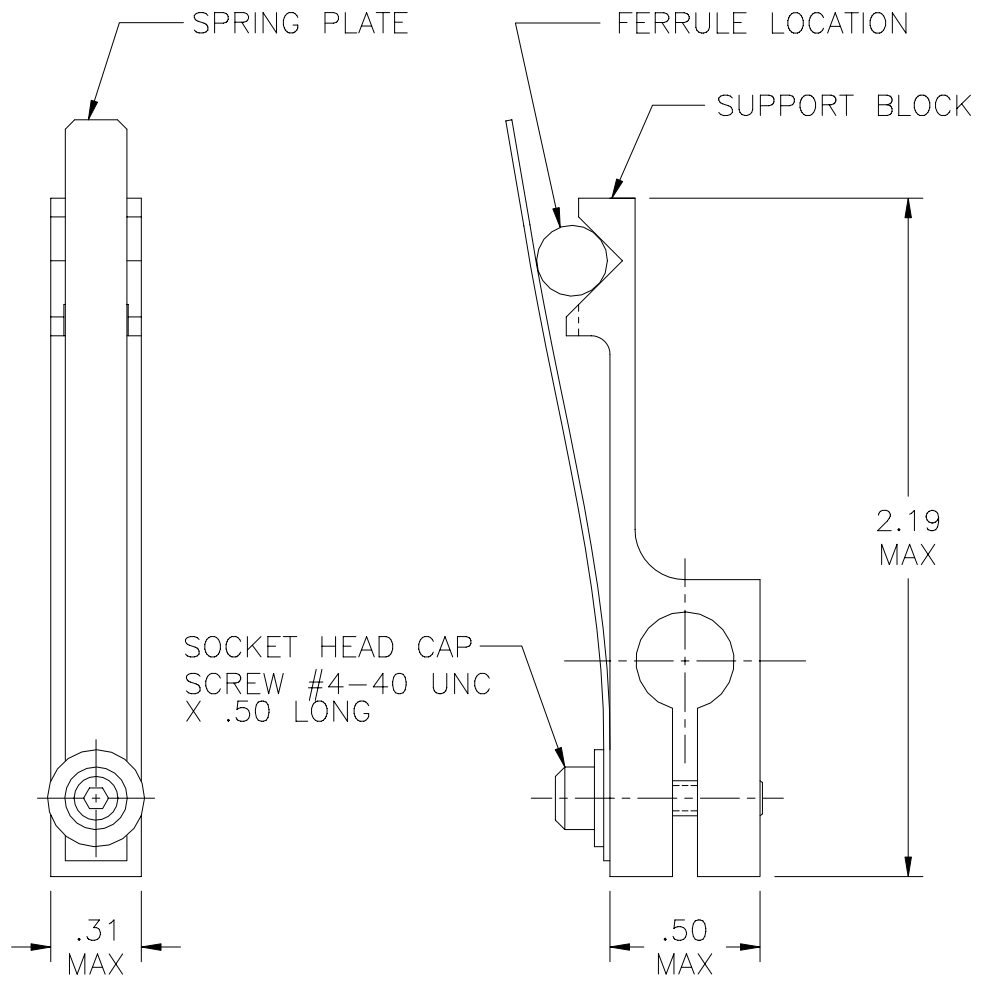


REVISIONS			
LTR	DESCRIPTION	DATE	APPROVED
A	REDRAWN/REFORMATED IN ENGLISH, DCR #T986008	6/3/98	GMR



NOTES:

1. THIS SUPPORT DEVICE IS DESIGNED FOR USE DURING TERMINATION OF A SOLDERSHIELD DEVICE TO A HEXASHIELD FERRULE. IT IS TO BE USED IN CONJUNCTION WITH THE AD-1319 HOLDING FIXTURE. REFER TO THE APPLICABLE PROCEDURES FOR INSTALLATION INSTRUCTIONS.

SPECIFICATION CONTROL DRAWING

UNLESS OTHERWISE SPECIFIED DIMENSIONS ARE IN INCHES. METRIC DIMENSIONS ARE IN BRACKETS.  DECIMALS .XXX ± — [ mm ] .XX ± — [ mm ] .X ± — [ mm ]  ANGLES .X ± —	DRAWN G.ROSITANO DATE 6/1/98	RAYCHEM CORPORATION 300 CONSTITUTION DRIVE MENLO PARK, CALIFORNIA 94025	TITLE HOLDING FIXTURE ASSEMBLY		
	CHECKED  DATE		APPROVED  DATE	SIZE CODE IDENT. NO. DWG. NO. REV A 06090 ECE-0188 A	
	APPROVED E.STADLER DATE 6/3/98		CAD NAME 188SCD	THIRD ANGLE PROJECTION	
	DO NOT SCALE THIS DWG		SCALE 2:1	SHEET 1 OF 1	

## X-ON Electronics

Largest Supplier of Electrical and Electronic Components

*Click to view similar products for [Solder](#) category:*

*Click to view products by [TE Connectivity](#) manufacturer:*

Other Similar products are found below :

[91362-6](#) [24-6040-0007](#) [24-7150-8800](#) [24-9574-7619](#) [24-4060-2437](#) [14-6040-0125](#) [04-0595-0000](#) [9SN-310G](#) [5901004](#) [5901006](#) [8001111](#)  
[ECC179707EU](#) [SMDLTLFP250T5](#) [41-096-0201N](#) [41-096-0242N](#) [ART.AGT-030](#) [8001263](#) [8001265](#) [389289](#) [54068](#) [0008752](#) [04-6040-0050](#)  
[580140](#) [H560103-BULK](#) [H560106-BULK](#) [TDS12AS](#) [5601380](#) [BON-102](#) [BON-102F](#) [BON-102K](#) [BON-102S](#) [BR-102F](#) [560017A](#) [560048](#)  
[560051](#) [560069W-LF](#) [5601034](#) [5601053](#) [5601056](#) [5601058](#) [5601157](#) [5601161](#) [5601170](#) [8001092](#) [5601243](#) [0401-08-000179](#) [5601247](#)  
[0401-08-000183](#) [5601277](#) [5601376](#) [JD927](#) [JD927-10](#)