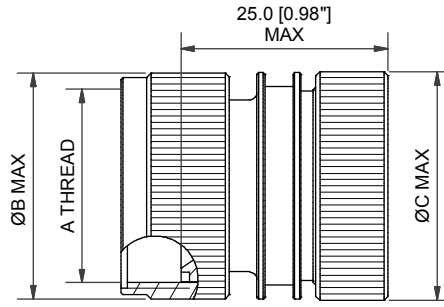
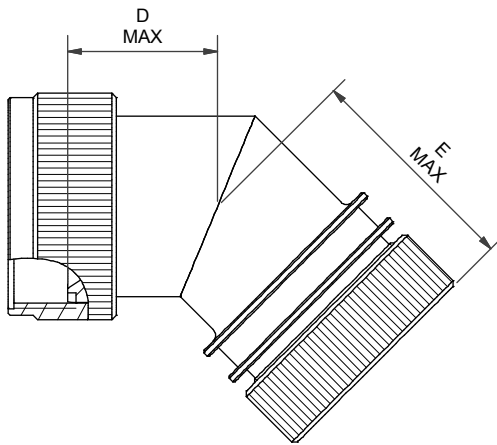
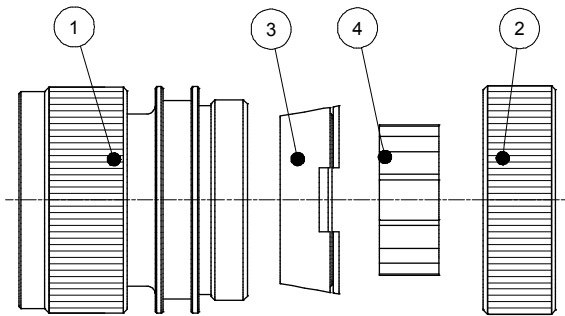


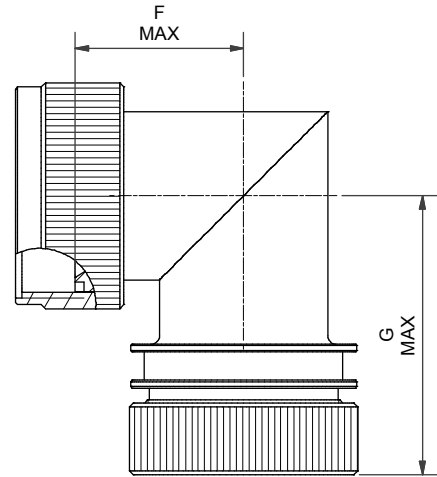
SPECIFICATION CONTROL DRAWING



STRAIGHT BODY STYLE - 00

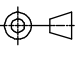


45° BODY STYLE - 45



90° BODY STYLE - 90

DRAWN	K.KUTA-WINCZURA	DATE	28/07/2017
CHECKED		DATE	28/07/2017
APPROVED	K.SHEPPARD	DATE	30/07/2017
APPROVED	K.SHEPPARD	DATE	11/12/2017


3RD ANGLE PROJECTION
 NOT TO SCALE
 UNLESS OTHERWISE SPECIFIED
 ALL DIMENSIONS IN MILLIMETRES
GENERAL TOL
 LINEAR +/-0.25MM
 ANGULAR +/- 1°

TITLE:
HEXASHIELD BACKSHELL FOR CODE 54 CONNECTORS, PLAIN CLAMPLING NUT

ASSY USED ON:
 SEE APPLICATION NOTE

REVISIONS			
LTR	DESCRIPTION	DATE	APPROVED
B	REVISED PER D060254	17/08/2006	
C	REVISED PER ECO-17-017923	11/12/2017	K.SHEPPARD

TE CONNECTIVITY - POLAMCO LTD RESERVES THE RIGHT TO AMEND THIS DRAWING AND THE INFORMATION SET FORTH HEREON AT ANY TIME. USERS SHOULD INDEPENDENTLY EVALUATE THE SUITABILITY OF THE PRODUCT FOR THEIR APPLICATION.



DRAWING NO:	HEX54-AY-YY-YY-AYY-1-YY	DRG REV:	C	SHT	1
--------------------	-------------------------	-----------------	---	------------	---

TE CAGE CODE: 06090
 POLAMCO/TE CAGE CODE: U5792

SPECIFICATION CONTROL DRAWING

KIT DESCRIPTION

ITEM	DESCRIPTION	MATERIAL
1	BODY ASSEMBLY	ALUMINIUM ALLOY
2	CLAMPING NUT - PLAIN	ALUMINIUM ALLOY
3	CONIC RING	ALUMINIUM ALLOY
4	STAR	ALUMINIUM ALLOY

TABLE OF DIMENSIONS

Order Number	Shell Size (see overleaf)		A Thread UNF/UNEF-2B	ØB MAX	ØC MAX	D MAX	E MAX	F MAX	G MAX	Ferrule Quantity		
	Type A	Type B								Std.	Opt.1	Opt.2
09	08	N/A	0.5000"-20	16.0 [0.63"]	17.5 [0.69"]	12.5 [0.49"]	25.5 [1.00"]	16.0 [0.63"]	29.0 [1.14"]	1	-	-
11	10	N/A	0.6250"-24	22.0 [0.87"]	21.5 [0.85"]	13.0 [0.51"]	26.0 [1.02"]	17.5 [0.69"]	30.5 [1.20"]	2	-	-
13	12	07	0.7500"-20	25.0 [0.98"]	22.5 [0.89"]	14.0 [0.55"]	26.5 [1.04"]	19.0 [0.75"]	32.0 [1.26"]	3	-	-
15	14	12	0.8750"-20	30.0 [1.18"]	25.5 [1.00"]	14.5 [0.57"]	27.5 [1.08"]	20.5 [0.81"]	33.5 [1.32"]	5	-	-
17	16	19	1.0000"-20	33.0 [1.30"]	28.5 [1.12"]	15.0 [0.59"]	28.0 [1.10"]	22.0 [0.87"]	35.0 [1.38"]	6	7	-
19	18	27	1.0625"-18	37.0 [1.46"]	31.5 [1.24"]	15.5 [0.61"]	28.5 [1.12"]	23.5 [0.93"]	36.5 [1.44"]	7	-	-
21	20	37	1.1875"-18	38.0 [1.50"]	35.0 [1.38"]	16.5 [0.65"]	29.0 [1.14"]	25.5 [1.00"]	38.5 [1.52"]	9	11	-
23	22	N/A	1.3125"-18	41.0 [1.61"]	38.0 [1.50"]	17.0 [0.67"]	30.0 [1.18"]	27.0 [1.06"]	40.0 [1.57"]	10	13	-
25	24	N/A	1.4375"-18	46.0 [1.81"]	41.0 [1.61"]	18.0 [0.71"]	31.0 [1.22"]	28.5 [1.12"]	41.5 [1.63"]	12	17	-
61	N/A	61	1.5000"-18	42.0 [1.65"]	41.0 [1.61"]	18.0 [0.71"]	31.0 [1.22"]	31.0 [1.22"]	41.5 [1.63"]	12	17	18

PART NUMBERING

HEX54-AC-00-21-A9-1-DS

SERIES _____

CONNECTOR INTERFACE _____

MATERIAL _____

 A - ALUMINIUM ALLOY

FINISH _____

 C - ELECTROLESS NICKEL TO MIL-C-26074

 B - CADMIUM OLIVE DRAB OVER ELECTROLESS NICKEL TO QQ-P416

BODY STYLE _____

 00 = STRAIGHT

 45 = 45°

 90 = 90°

ORDER NUMBER _____

FERRULE QUANTITY CODE _____

BACK END OPTION _____

 1 - PLAIN CLAMPING NUT

STAR STYLE _____

 DS - DRILLED STAR (SEE NOTE 2)

 OMIT FOR PLAIN STAR

DRAWN	K.KUTA-WINCZURA	DATE	28/07/2017
CHECKED		DATE	28/07/2017
APPROVED	K.SHEPPARD	DATE	30/07/2017
APPROVED	K.SHEPPARD	DATE	11/12/2017



3RD ANGLE PROJECTION NOT TO SCALE

UNLESS OTHERWISE SPECIFIED ALL DIMENSIONS IN MILLIMETRES
GENERAL TOL
 LINEAR +/-0.25MM
 ANGULAR +/- 1°

REVISIONS

LTR	DESCRIPTION	DATE	APPROVED
B	REVISED PER D060254	17/08/2006	
C	REVISED PER ECO-17-017923	11/12/2017	K.SHEPPARD

TITLE:
 HEXASHIELD BACKSHELL FOR CODE 54 CONNECTORS, PLAIN CLAMPING NUT

ASSY USED ON:
 SEE APPLICATION NOTE



TE CAGE CODE: 06090
 POLAMCO/TE CAGE CODE: U5792

TE CONNECTIVITY - POLAMCO LTD RESERVES THE RIGHT TO AMEND THIS DRAWING AND THE INFORMATION SET FORTH HEREON AT ANY TIME. USERS SHOULD INDEPENDENTLY EVALUATE THE SUITABILITY OF THE PRODUCT FOR THEIR APPLICATION.

DRAWING NO:
 HEX54-AY-YY-YY-AYY-1-YY

DRG REV: **C** SHT **2**

SPECIFICATION CONTROL DRAWING

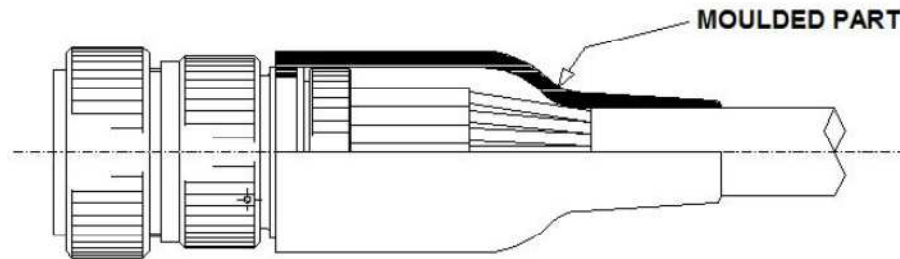
APPLICATION:

- These adaptors are designed to be mounted on the following connectors:

MIL-C-26482 Series II	}	Shell Size Type A
MIL-C-83723 Series I and III		
MIL-C-5015		
HE312		

MIL-C-81703 Series III	}	Shell Size Type B
HE312		
DBAD		

- They are qualified to the Raychem specification RB-114, when installed on metallic Mil-Specification circular connectors only.
- They are designed primarily for open wire bundle installation but are also designed to accept Raychem heat shrink moulded parts where strain relief is required - see illustration.



- Use in conjunction with the ferrules HET-A-0XX, which are purchased separately. Refer to HET-A-0XX S.C.D. for relevant selection details.

INSTALLATION:

- See Installation Procedure RPIP-696-04.

PACKAGING:

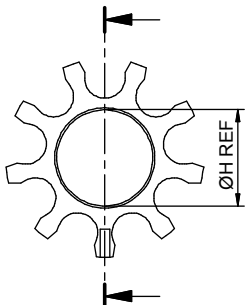
- All components are supplied in a plastic bag.

DRAWN	K.KUTA-WINCZURA	DATE	28/07/2017	 3RD ANGLE PROJECTION NOT TO SCALE	TITLE:	<h2 style="margin: 0;">HEXASHIELD BACKSHELL FOR CODE 54 CONNECTORS, PLAIN CLAMPLING NUT</h2>	 Polamco 	
CHECKED		DATE	28/07/2017					
APPROVED	K.SHEPPARD	DATE	30/07/2017		UNLESS OTHERWISE SPECIFIED ALL DIMENSIONS IN MILLIMETRES GENERAL TOL LINEAR +/-0.25MM ANGULAR +/- 1°	ASSY USED ON:		SEE APPLICATION NOTE
APPROVED	K.SHEPPARD	DATE	11/12/2017					
REVISIONS								
LTR	DESCRIPTION	DATE	APPROVED					
B	REVISED PER D060254	17/08/2006						
C	REVISED PER ECO-17-017923	11/12/2017	K.SHEPPARD					
TE CAGE CODE: 06090 POLAMCO/TE CAGE CODE: U5792					TE CONNECTIVITY - POLAMCO LTD RESERVES THE RIGHT TO AMEND THIS DRAWING AND THE INFORMATION SET FORTH HEREON AT ANY TIME. USERS SHOULD INDEPENDENTLY EVALUATE THE SUITABILITY OF THE PRODUCT FOR THEIR APPLICATION.	DRAWING NO: HEX54-AY-YY-YY-AYY-1-YY	DRG REV: C	SHT 3

SPECIFICATION CONTROL DRAWING

NOTES!

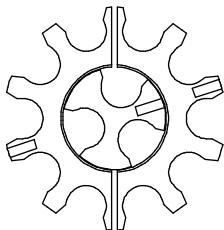
- Item 4 - Star - is **not** supplied with Hexashield Order Number 09.
- The DS option, illustrated below, is for a Drilled Star, which is available on sizes 15 to 61 when the standard ferrule quantity is selected, and sizes 25 and 61 when the optional ferrule quantity is selected. This option is to allow unshielded wires to pass through the assembly.



STAR SIZE	15	17	19	21	23	25 (Std.)	25 (Opt.1)	61 (Std.)	61 (Opt.1)	61 (Opt.2)
ØH REF	3.0 [0.12"]	6.0 [0.24"]	9.0 [0.35"]	12.0 [0.47"]	15.0 [0.59"]	18.0 [0.71"]	3.0 [0.12"]	18.0 [0.71"]	3.0 [0.12"]	6.0 [0.24"]

- Where the ferrule quantities required are standard, the item 4 - Star - is also standard. If the optional quantity is selected, then 2 items 4 will be supplied - one "split" and the other one standard. See below for illustration.

"SPLIT" STAR



EXAMPLE: FERRULE QUANTITY CODE -A13
 -A13 = -A10 SPLIT RING STAR + -A3 STANDARD STAR

- Assembly is to be permanently marked with Code Identity Number and Part Number. (e.g. 06090 HEX54-AB-00-21-A9-1)

DRAWN	K.KUTA-WINCZURA	DATE	28/07/2017
CHECKED		DATE	28/07/2017
APPROVED	K.SHEPPARD	DATE	30/07/2017
APPROVED	K.SHEPPARD	DATE	11/12/2017



3RD ANGLE
PROJECTION
NOT TO
SCALE

UNLESS OTHERWISE SPECIFIED
ALL DIMENSIONS IN MILLIMETRES
GENERAL TOL
LINEAR +/-0.25MM
ANGULAR +/- 1°

REVISIONS

LTR	DESCRIPTION	DATE	APPROVED
B	REVISED PER D060254	17/08/2006	
C	REVISED PER ECO-17-017923	11/12/2017	K.SHEPPARD

TE CAGE CODE: 06090
 POLAMCO/TE CAGE CODE: U5792

TITLE:

HEXASHIELD BACKSHELL FOR CODE 54
 CONNECTORS, PLAIN CLAMPLING NUT

ASSY USED ON:

SEE APPLICATION NOTE



Polamco



TE CONNECTIVITY - POLAMCO LTD RESERVES THE RIGHT TO AMEND THIS DRAWING
 AND THE INFORMATION SET FORTH HEREON AT ANY TIME. USERS SHOULD
 INDEPENDENTLY EVALUATE THE SUITABILITY OF THE PRODUCT FOR THEIR APPLICATION.

DRAWING NO:
 HEX54-AY-YY-YY-AYY-1-YY

DRG REV:
 C

SHT
 4

X-ON Electronics

Largest Supplier of Electrical and Electronic Components

Click to view similar products for [Standard Circular Connector](#) category:

Click to view products by [TE Connectivity](#) manufacturer:

Other Similar products are found below :

[C015](#) [10F006](#) [001](#) [1](#) [5M2530B10P](#) [600259N006](#) [600273N007](#) [600432N009](#) [6280-2PG-519](#) [6280-3PG-311](#) [6280-3SG-311](#) [6280-7SG-3DC](#)
[6280-7SG-522](#) [6282-5PG-311](#) [6282-6PG-519](#) [6282-8SG-311](#) [6283-11](#) [6283-15](#) [6290](#) [6382-2PG-311](#) [6382-2PG-3DC](#) [6382-2SG-321](#) [6382-2SG-3DC](#) [6382-4SG-516](#) [67-03E20-37P](#) [681-PMG](#) [CXS3102A14S2P](#) [CXS3102A181S](#) [CXS3106A14S6S](#) [MB12P-1](#) [MB12R-6](#) [7251-2PG-300](#) [7251-2SG-300](#) [7251-4PG-300](#) [7251-4SG-300](#) [7251-5PG-300](#) [7251-5SG-300](#) [7251-6SG-300](#) [7251-7PG-300](#) [7251-8PG-300](#) [7271-6SG-300](#) [7282-3PG-300-CH3](#) [73000005663](#) [75-190216-08S](#) [75-190218-10P](#) [75-474118-10P](#) [75-474618-01S](#) [75-474620-07P](#) [799539-000](#) [MI8-SE](#) [80-190222-18P](#) [805-005-07NF11-19PC](#) [805-005-07NF15-7PA](#)