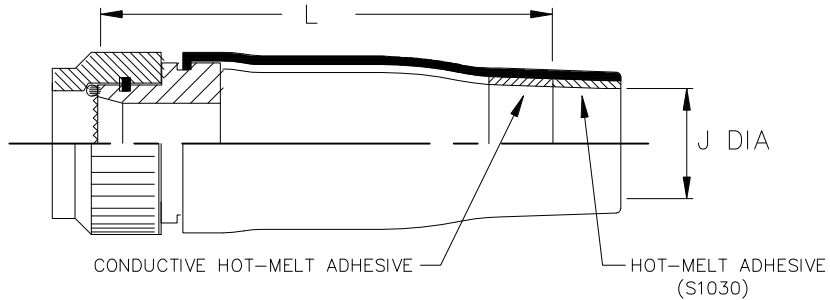


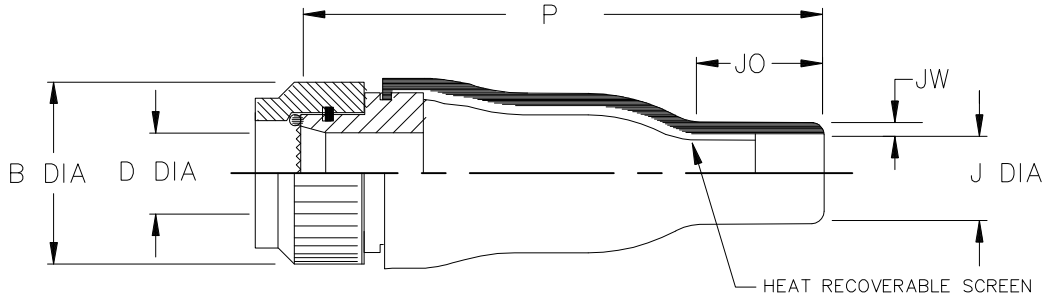
REVISIONS

P	LTR	DESCRIPTION	DATE	DWN	APVD
5		RELEASED AS PER ECO-17-009529	03JUL2017	PV	MP

a) Part as supplied.



b) Part after unrestricted recovery.



NOTES:

- Raychem Connector Code: 40
- Connector Series: MIL-C-38999 SERIES 3 & 4
- Adaptor Series: 208M7**-19-B**-K-NS (Olive Drab);
Aluminium Alloy to BS1474 HE30TF, FC1 or 6262
Cadmium per QQ-P-416, Type II, Class 3
Over appropriate under plate,
Per MIL-C-85049 (500 hour salt spray)
- Moulded Part Material: -100C (Black); Polyolefin/Silver Composites, Semi-flexible
ZEROHAL™ Low fire hazard
- Kits to include cleaning tissue, 1 piece 100 grit emery cloth & packing piece.
- Kit to be used in conjunction with installation guide for straight assemblies.

Dimensions in mm [inches for reference]


Part No.	Shell Size	B DIA MAX	D DIA MIN	J		P ±10% b	L REF a	JO REF b	JW ±30% b
				MIN a	MAX b				
KTKK0670	A	19.2 [.76]	6.2 [.24]	7 [.28]	5 [.2]	57 [2.24]	51 [2.01]	15 [.59]	1.0 [.04]
KTKK0671	B	21.7 [.85]	9.3 [.37]	9 [.35]	6 [.24]	72 [2.83]	66 [2.6]	17 [.67]	1.0 [.04]
KTKK0672	C	25.5 [1.0]	12.9 [.51]	11 [.43]	7.2 [.28]	84 [3.31]	78 [3.07]	20 [.79]	1.0 [.04]
KTKK0673	D	29.3 [1.15]	14.1 [.56]	11 [.43]	7.2 [.28]	84 [3.31]	78 [3.07]	20 [.79]	1.0 [.04]
KTKK0674	E	31.9 [1.26]	18.8 [.74]	17 [.67]	8.5 [.33]	97 [3.82]	88 [3.46]	25 [.98]	1.0 [.04]
KTKK0675	F	35.7 [1.41]	18.8 [.74]	17 [.67]]	8.5 [.33]	97 [3.82]	88 [3.46]	25 [.98]	1.0 [.04]
KTKK0676	G	38.2 [1.5]	23.6 [.93]	21 [.83]	10 [.39]	122 [4.8]	110 [4.33]	30 [1.18]	1.2 [.05]
KTKK0677	H	42 [1.65]	23.6 [.93]	21 [.83]	10 [.39]	122 [4.8]	110 [4.33]	30 [1.18]	1.2 [.05]
KTKK0678	J	44.6 [1.76]	30.9 [1.22]	29 [1.14]	15.8 [.62]	147 [5.79]	132 [5.2]	30 [1.18]	1.5 [.06]

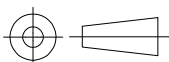
RELEASED FOR PUBLICATION

ALL RIGHTS RESERVED.

COPYRIGHT 2016 By TE Connectivity

THIS DRAWING IS UNPUBLISHED.

DIMENSIONS: mm [INCHES]	DWN P. VU	12OCT2016	MATERIAL	SEE NOTES	FINISH	SEE NOTES
	CHK N. NAGAR	12OCT2016	 TE Connectivity			
TOLERANCES UNLESS OTHERWISE SPECIFIED:	APVD M. POPE	12OCT2016				
0 PLC ± -	PRODUCT SPEC	NAME				ADAPTOR ASSEMBLY
1 PLC ± -		APPLICATION SPEC				-
2 PLC ± -		SIZE	CAGE CODE	DRAWING NO	RESTRICTED TO	
3 PLC ± -		A4	00779	C-KTKK0670-0678	-	
4 PLC ± -		WEIGHT				
ANGLES ± -		CUSTOMER DRAWING				SCALE DNS SHEET 1 OF 1 REV 5



X-ON Electronics

Largest Supplier of Electrical and Electronic Components

Click to view similar products for [Cable Boots](#) category:

Click to view products by [TE Connectivity](#) manufacturer:

Other Similar products are found below :

[618235-000](#) [622A014-3-0](#) [CX4132-000](#) [879103-4](#) [879515-000](#) [889092](#) [982033-2](#) [R280576000](#) [1300830729](#) [MTPSRBCL-C](#) [1811481-1](#)
[200W531-3-0](#) [202A121-386-0](#) [202A142-4-00/42-0](#) [202A163-4-0-CS5067](#) [202B221-13-0](#) [202B231-13-0](#) [202B563-25-07-0](#)
[202C621710CS5361](#) [202D132-4-07/42-0](#) [202D221-4-0-CS5349](#) [202D221-4-26-0](#) [202D263-25-08-0](#) [202D263-4-22/42-0](#) [202D263-4-88-0](#)
[202D921-2542-0](#) [202E336-71-0](#) [202F211-50-22-0-CS8474](#) [202F242-50-05-0](#) [202F242-51-04/164-0](#) [202K121-25-CS-1858-0](#) [202K121-25-](#)
[CS-2062-0](#) [202K132-25-01/225-0CS8387](#) [202K153-3-0186-0](#) [202S132-25-UP-0](#) [203W301-3/42-0](#) [207W613-100/184-0-CS5657](#) [207W623-](#)
[100-01/184-0](#) [207W634-100/184-0-CS5657](#) [207W656-100-01/184-0](#) [207W667-100-01/184-0](#) [207W667-100/184-0](#) [208A011-3-0](#) [208A021-3-](#)
[0](#) [221A011-51164-0-CS7133](#) [222A121-2586](#) [222A152-342-0](#) [222A213-25-0-CS5613](#) [222D221-25-13/86-0](#) [222D232-4-61-0-CS5078](#)