

REVISIONS			
LTR	DESCRIPTION	DATE	APPROVED
N/C	INITIAL RELEASE, ECN* T-4029	2-23-83	gB

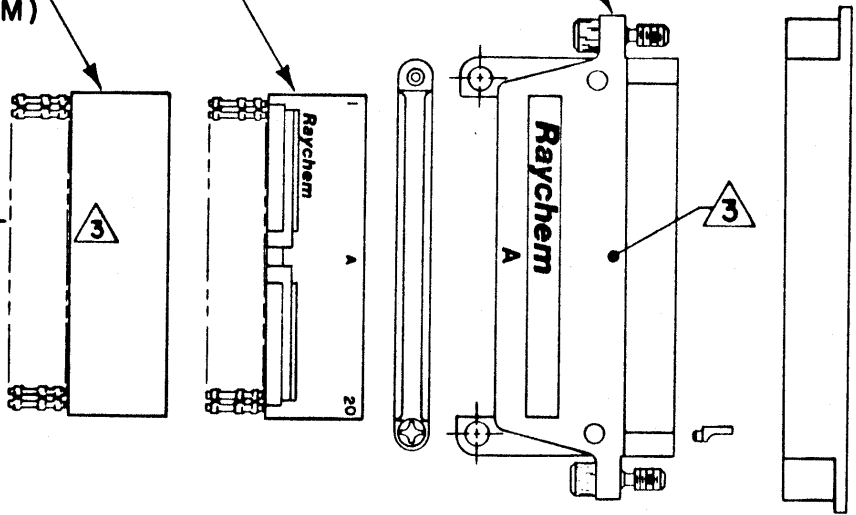
HOUSING ASSEMBLY

A WAFER (TOP)

B WAFER (BOTTOM)

TYPICAL WAFER INSERTION INTO HOUSING

REVERSE SIDE OF WAFERS



NOTES:

- THIS KIT CONSIST OF THE FOLLOWING ITEMS:
 - MTC100-JH2-P22 HOUSING
 - MTC100-JA2-S14 A SKT WAFER
 - MTC100-JB2-S14 B SKT WAFER
 - FOR DETAIL DATA, REFER TO THE APPLICABLE RAYCHEM SPECIFICATION CONTROL DRAWING.
- 3** PART NUMBER AND DATE CODE MARKED ON THIS SIDE

SPECIFICATION CONTROL DRAWING © Raychem Corporation 1983

DRAWN	<i>Jamal</i>	2-23-83	Raychem RAYCHEM CORPORATION 300 CONSTITUTION DRIVE MENLO PARK, CALIFORNIA 94025		
CHECKED					
APPROVED	<i>Plan</i>	2-23-83	TITLE KIT, 2", PLUG, SOCKET WAFERS WITH PRE-ASSEMBLED SOLDER-SLEEVE® TERMINATOR, FOR 20-26 AWG ROUND WIRE, 125° C OPERATING TEMPERATURE, MTC100		
APPROVED	<i>JH</i>	2-24-83			
UNLESS OTHERWISE SPECIFIED DIMENSIONS ARE IN INCHES. METRIC DIMENSIONS ARE IN PARENTHESIS			SIZE	CODE IDENT. NO.	DWG. NO.
DO NOT SCALE THIS DRAWING			B	06090	MTC100-KT2-0080
			WEIGHT	SHEET 1 OF 1	

X-ON Electronics

Largest Supplier of Electrical and Electronic Components

Click to view similar products for [Rack & Panel Connectors](#) category:

Click to view products by [TE Connectivity](#) manufacturer:

Other Similar products are found below :

[00170420102](#) [00171420202](#) [00171440002](#) [008026165000265](#) [00-8219-072-000-112P44](#) [008219072000112P5](#) [02-014-013-5200-000](#) [613467-000](#) [CTJ112E01E-513](#) [CTJ116E03A-513](#) [M81714/63-22S L/C](#) [M81714/65-12-1](#) [66020-2](#) [CW8958-000](#) [699886-000](#) [D250-50632](#)
[70.400.3240.0](#) [70.955.2453.3](#) [733753-000](#) [F22831-000](#) [780-522-DPX34RG8-02](#) [MMA25-0341D1](#) [8660-501](#) [87.060.0053.0](#) [900709N001](#)
[QRP4-12P-C\(01\)](#) [QR/P6-6S-C\(01\)](#) [AC-600003-004](#) [1218600-1](#) [D-659-0061](#) [DMC-MD 24 C-T](#) [1-445717-6](#) [1484398-2](#) [1484399-2](#) [1484469-2](#) [MR-34MG](#) [1484225-1](#) [1484398-1](#) [1604997-2](#) [1663130-1](#) [1663767-7](#) [1663767-8](#) [MTC100-BF1-P31CS015](#) [MTC100-KT2-0083](#) [MTC100-KT2-0123-003](#) [MTC100-YA1-005](#) [MTCB1X-105-XXX](#) [MTCPQKT1P2PGDC](#) [MTCPQKT1R2PGCA](#) [MTCR-103-04S](#)