

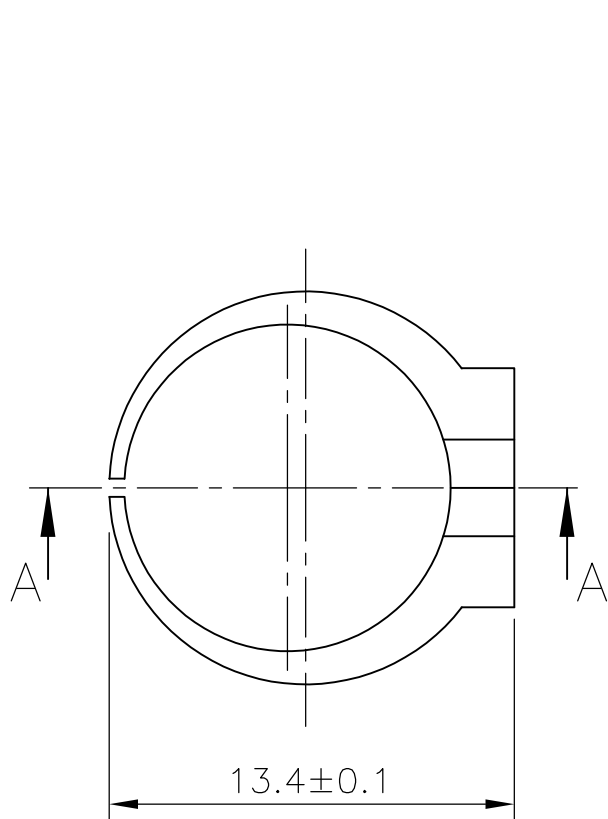
THIS DRAWING IS UNPUBLISHED.

RELEASED FOR PUBLICATION

ALL RIGHTS RESERVED.

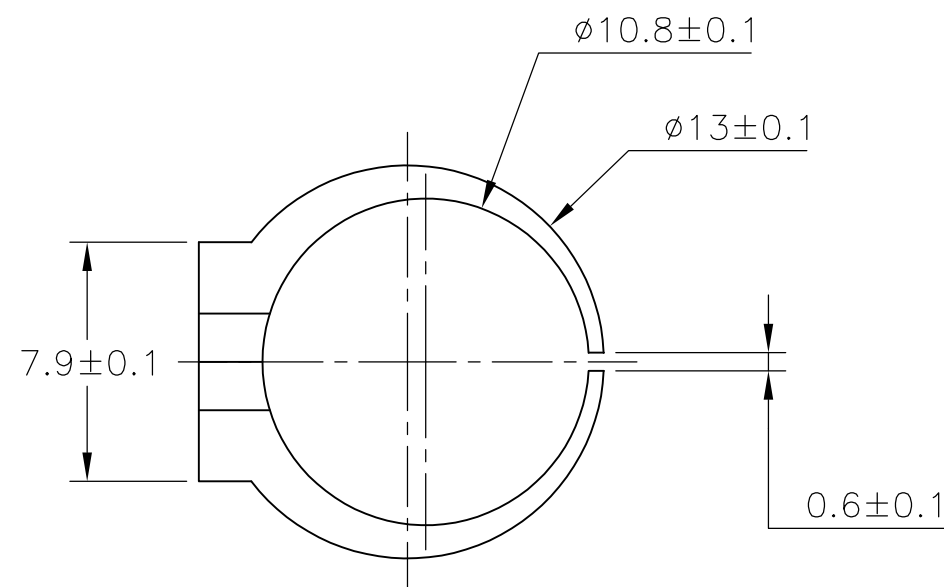
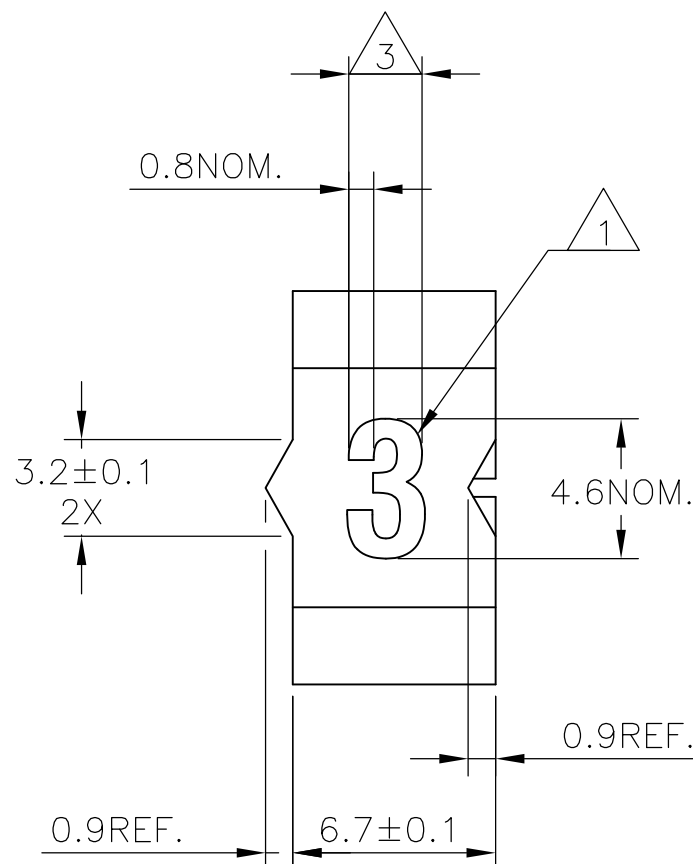
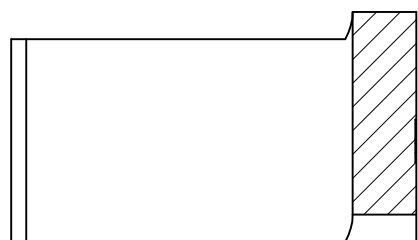
© COPYRIGHT - By -

LOC	DIST	REVISIONS			
P	LTR	DESCRIPTION	DATE	DWN	APVD
1		NEW DRAWING	25MAR2013	KR	KA



13.4±0.1

A-A



10.8±0.1

13±0.1

0.6±0.1

7.9±0.1

0.9REF.

6.7±0.1

0.9REF.

3.2±0.1
2X

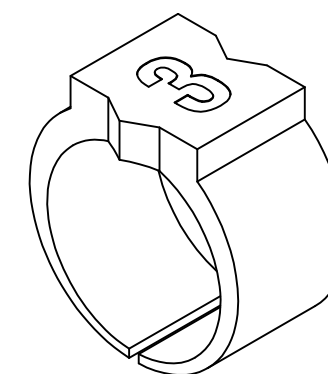
4.6NOM.

0.8NOM.

3

3

1




NOTES:

1 FOR PART NUMBERS SEE SHEET 3 OF 3.

2 MARK SHOULD BE CENTRALLY POSITIONED ±0.1 mm

3 WIDTH OF MARK DEPENDS ON CHARACTER PRINTED

THIS DRAWING IS A CONTROLLED DOCUMENT.		DWN RAGHAVENDRA K 25MAR2013	 TE Connectivity														
DIMENSIONS: mm		CHK KEAN ALAN 25MAR2013															
TOLERANCES UNLESS OTHERWISE SPECIFIED:		APVD MARIO APPELLO 25MAR2013	NAME SNAP-ON MARKER STB/STD 21 WITH APPLICATOR														
<table border="0"> <tr><td>0 PLC</td><td>± -</td></tr> <tr><td>1 PLC</td><td>± -</td></tr> <tr><td>2 PLC</td><td>± -</td></tr> <tr><td>3 PLC</td><td>± -</td></tr> <tr><td>4 PLC</td><td>± -</td></tr> <tr><td>ANGLES</td><td>± -</td></tr> </table>		0 PLC	± -	1 PLC	± -	2 PLC	± -	3 PLC	± -	4 PLC	± -	ANGLES	± -	PRODUCT SPEC -	-		
0 PLC	± -																
1 PLC	± -																
2 PLC	± -																
3 PLC	± -																
4 PLC	± -																
ANGLES	± -																
MATERIAL -		FINISH -	APPLICATION SPEC -	SIZE A3	CAGE CODE 00779												
CUSTOMER DRAWING			DRAWING NO C-1768047-5	RESTRICTED TO -													
			WEIGHT -	SCALE NTS	SHEET 1 OF 3												
				REV 1													

THIS DRAWING IS UNPUBLISHED.

RELEASED FOR PUBLICATION

ALL RIGHTS RESERVED.

LOC

DIST

REVISIONS

P

LTR

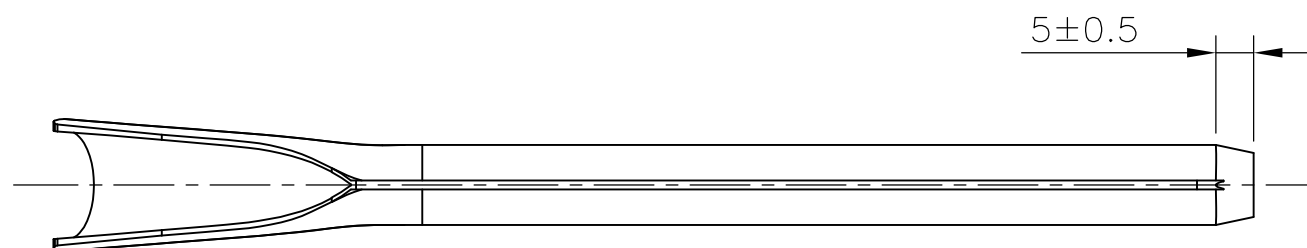
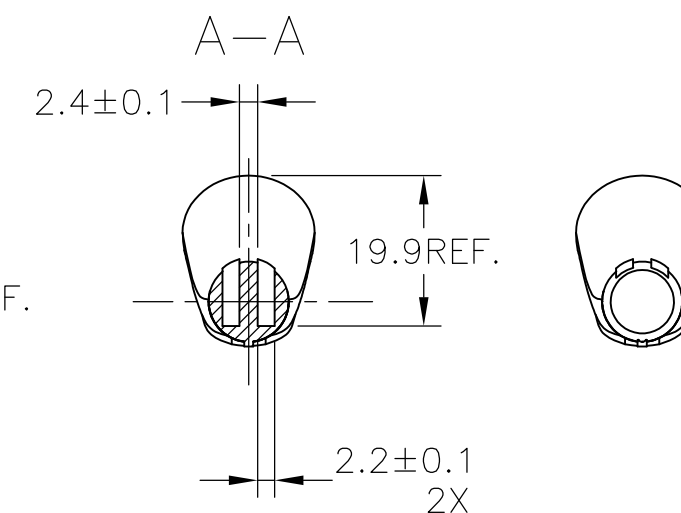
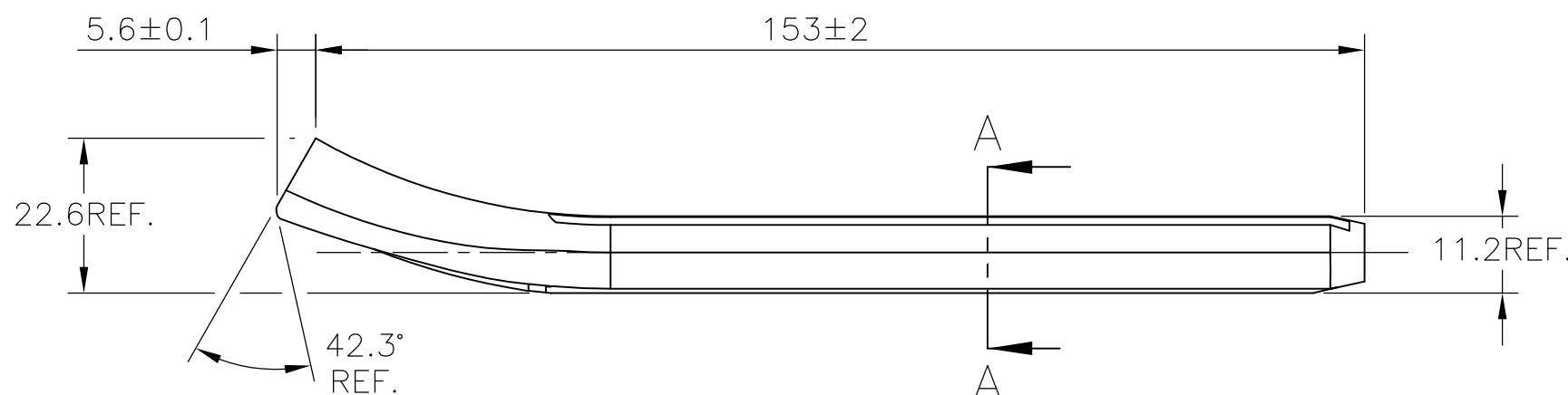
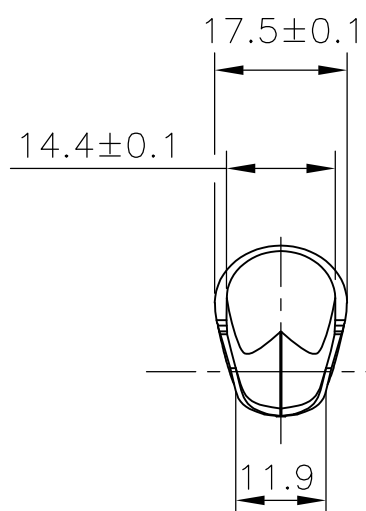
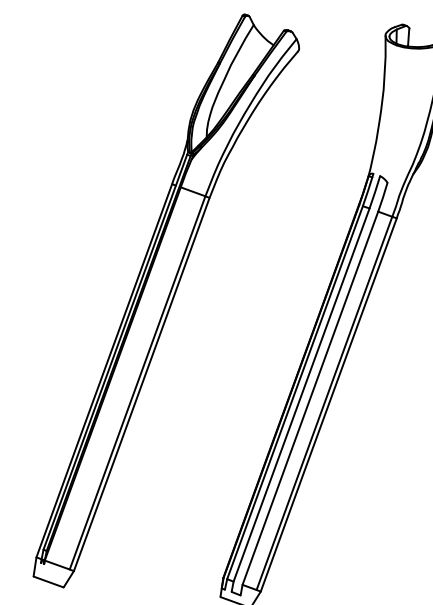
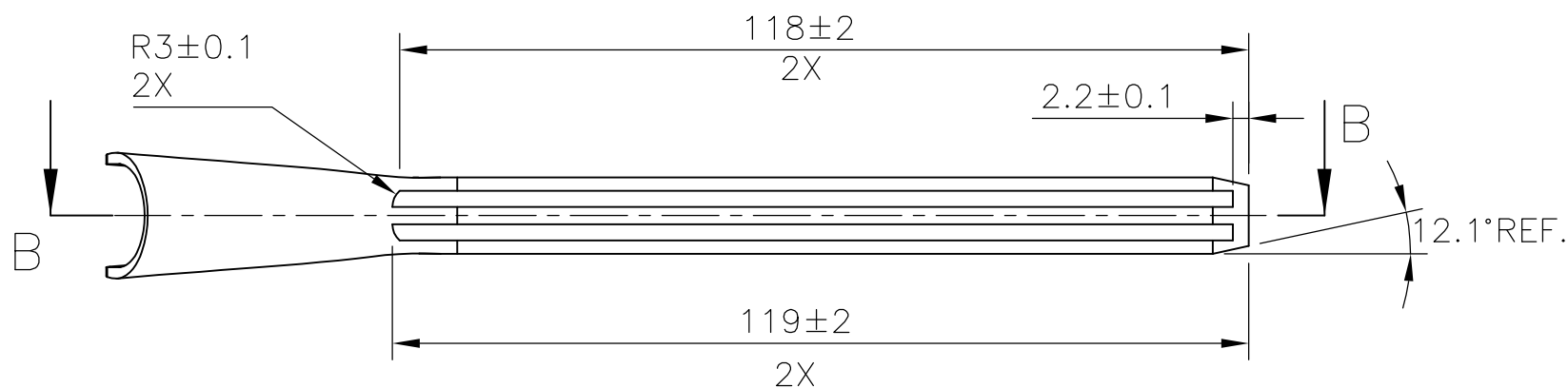
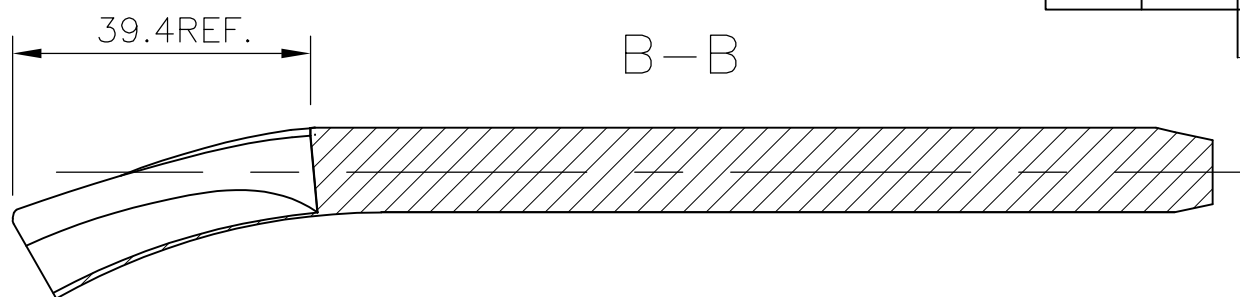
DESCRIPTION

DATE

DWN

APVD

SEE SHEE 1



THIS DRAWING IS A CONTROLLED DOCUMENT.

DWN RAGHAVENDRA K 25MAR2013

CHK KEAN ALAN 25MAR2013

APVD MARIO APPELLO 25MAR2013

PRODUCT SPEC

APPLICATION SPEC

WEIGHT -

CUSTOMER DRAWING



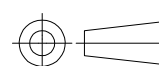
NAME SNAP-ON MARKER STB/STD 21 WITH APPLICATOR

SIZE A3 CAGE CODE 00779 DRAWING NO C-1768047-5 RESTRICTED TO -

SCALE NTS SHEET 2 OF 3 REV 1

DIMENSIONS:

mm



TOLERANCES UNLESS OTHERWISE SPECIFIED:

- 0 PLC ± -
- 1 PLC ± -
- 2 PLC ± -
- 3 PLC ± -
- 4 PLC ± -
- ANGLES ± -
- FINISH -

MATERIAL

FINISH

THIS DRAWING IS UNPUBLISHED.

RELEASED FOR PUBLICATION

-. - .

LOC

DIST

REVISIONS

© COPYRIGHT - By -

ALL RIGHTS RESERVED.

P	LTR	DESCRIPTION	DATE	DWN	APVD
-	-	SEE SHEE 1	-	-	-

DESCRIPTION	PART NO.
STB21-BLANK-0	5-1768040-0
STB21-BLANK-2	5-1768040-2
STB21-BLANK-6	5-1768040-5
STB21-BLANK-8	5-1768040-7
STD21-APPLICATOR	1768047-5
STD21W-0	1768047-6
STD21W-1	303184-000
STD21W-2	563918-000
STD21W-3	884468-000
STD21W-4	666714-000
STD21W-5	263556-000
STD21W-6	557678-000
STD21W-7	375434-000
STD21W-8	871050-000
STD21W-9	025278-000
STD21W-A	138262-000
STD21W-B	846224-000
STD21W-BLANK	1768047-9
STD21W-C	315560-000
STD21W-D	937516-000
STD21W-DOT	1-1768047-2
STD21W-E	398254-000
STD21W-EARTH	1-1768047-3
STD21W-F	150770-000
STD21W-G	415068-000
STD21W-H	872820-000
STD21W-I	091456-000
STD21W-J	210862-000

DESCRIPTION	PART NO.
STD21W-K	236972-000
STD21W-L	144498-000
STD21W-M	151926-000
STD21W-MINUS	2-1768047-0
STD21W-N	148398-000
STD21W-P	852494-000
STD21W-PLUS	2-1768047-3
STD21W-Q	085934-000
STD21W-R	962458-000
STD21W-S	251560-000
STD21W-SLASH	764286-000
STD21W-T	650510-000
STD21W-U	461542-000
STD21W-V	023470-000
STD21W-W	034464-000
STD21W-X	316680-000
STD21W-Y	882830-000
STD21W-Z	475522-000
STD21Y-0	2-1768047-5
STD21Y-1	2-1768047-6
STD21Y-2	2-1768047-7
STD21Y-3	2-1768047-8
STD21Y-4	2-1768047-9
STD21Y-5	3-1768047-0
STD21Y-6	3-1768047-1
STD21Y-7	3-1768047-2
STD21Y-8	3-1768047-3
STD21Y-9	3-1768047-4

DESCRIPTION	PART NO.
STD21Y-A	3-1768047-5
STD21Y-B	3-1768047-8
STD21Y-BLANK	3-1768047-9
STD21Y-C	4-1768047-1
STD21Y-D	4-1768047-3
STD21Y-E	4-1768047-6
STD21Y-EARTH	4-1768047-7
STD21Y-F	4-1768047-9
STD21Y-G	5-1768047-1
STD21Y-H	5-1768047-3
STD21Y-I	5-1768047-5
STD21Y-J	5-1768047-6
STD21Y-K	5-1768047-7
STD21Y-L	5-1768047-9
STD21Y-M	6-1768047-1
STD21Y-MINUS	6-1768047-2
STD21Y-N	6-1768047-4
STD21Y-P	6-1768047-6
STD21Y-PLUS	6-1768047-7
STD21Y-Q	6-1768047-8
STD21Y-R	6-1768047-9
STD21Y-S	7-1768047-1
STD21Y-T	7-1768047-3
STD21Y-U	7-1768047-4
STD21Y-V	7-1768047-5
STD21Y-W	7-1768047-6
STD21Y-X	7-1768047-7
STD21Y-Y	7-1768047-8
STD21Y-Z	7-1768047-9

THIS DRAWING IS A CONTROLLED DOCUMENT.

DWN 25MAR2013 RAGHAVENDRA K

CHK 25MAR2013 KEAN ALAN

APVD 25MAR2013 MARIO APPELLO

PRODUCT SPEC

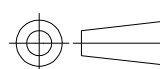
APPLICATION SPEC

WEIGHT -

CUSTOMER DRAWING

DIMENSIONS:

mm



TOLERANCES UNLESS OTHERWISE SPECIFIED:

- 0 PLC ± -
- 1 PLC ± -
- 2 PLC ± -
- 3 PLC ± -
- 4 PLC ± -
- ANGLES ± -
- FINISH -

MATERIAL -



NAME SNAP-ON MARKER STB/STD 21 WITH APPLICATOR

SIZE	CAGE CODE	DRAWING NO	RESTRICTED TO
A3	00779	C-1768047-5	-

SCALE NTS SHEET 3 OF 3 REV 1

X-ON Electronics

Largest Supplier of Electrical and Electronic Components

Click to view similar products for [Wire Identification](#) category:

Click to view products by [TE Connectivity](#) manufacturer:

Other Similar products are found below :

[CU6337-000](#) [CU6342-000](#) [FCA-410-12](#) [11631010](#) [1-1768037-1](#) [1-1768037-2](#) [1-1768050-0](#) [PXLK-VI](#) [Q62184-1](#) [A64304-000](#) [QMT221](#)
[HK032WE1NF038B](#) [1330-0519-10](#) [1395199-1](#) [1395200-1](#) [1395202-1](#) [DMVF050WE-300S6](#) [D-SCE-1K-2.4-50-4-CS7834](#) [1538738-1](#)
[E90935-000](#) [EC1238-000](#) [EC1465-000](#) [EC1855-000](#) [EC1859-000](#) [EC1863-000](#) [EC5415-000](#) [EC7277-000](#) [EC7352-000](#) [EC7603-000](#)
[EC7707-000](#) [EC7735-000](#) [EC7768-000](#) [EC7828-000](#) [EC7854-000](#) [EC7952-000](#) [EC8128-000](#) [1768037-8](#) [1768041-7](#) [NC-127191-10-9](#)
[HS048WE2NF038B](#) [C03232-000](#) [HTCM-SCE-14-4H-9](#) [HTMS-3/16-9](#) [HT-SCE-1/4-2.0-4](#) [HT-SCE-3/16-2.0-4](#) [HTTMS-1/2-1.50-9](#) [HTTMS-](#)
[CM-1/2-4H-9](#) [HX-SCE-19.0-50-9](#) [HX-SCE-6.4-50-4](#) [C25254-000](#)