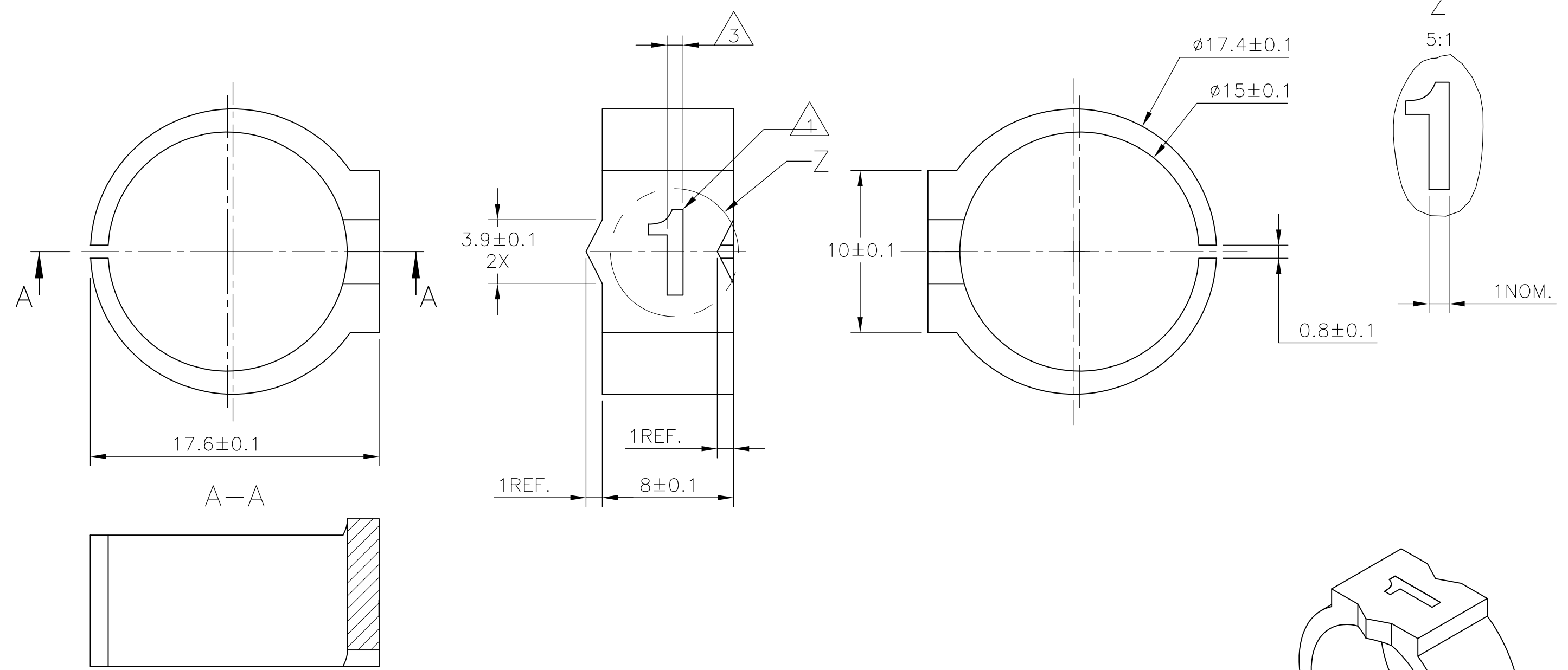


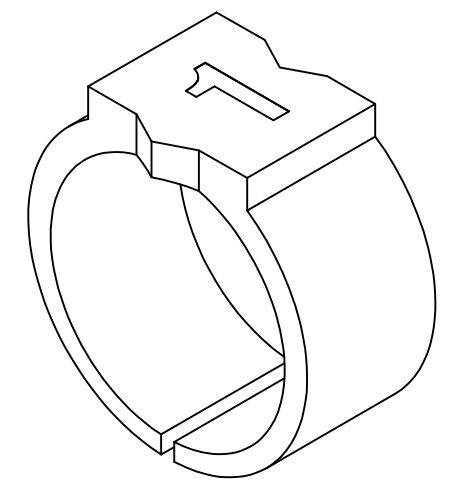
THIS DRAWING IS UNPUBLISHED. RELEASED FOR PUBLICATION
 © COPYRIGHT - By - ALL RIGHTS RESERVED.

LOC	DIST	REVISIONS			
P	LTR	DESCRIPTION	DATE	DWN	APVD
1		NEW DRAWING	25MAR2013	KR	KA



NOTES:

- 1 FOR PART NUMBERS SEE SHEET 3 OF 3.
- 2 MARK SHOULD BE CENTRALLY POSITIONED ±0.1mm.
- 3 WIDTH OF MARK DEPENDS ON CHARACTER PRINTED



THIS DRAWING IS A CONTROLLED DOCUMENT.		DWN RAGHAVENDRA K 25MAR2013	TE Connectivity		
		CHK KEAN ALAN 25MAR2013			
		APVD MARIO APPELLO 25MAR2013	NAME SNAP-ON MARKER STB/STD 24 WITH APPLICATOR		
DIMENSIONS: mm		PRODUCT SPEC	-		
TOLERANCES UNLESS OTHERWISE SPECIFIED:		APPLICATION SPEC	-		
0 PLC ± - 1 PLC ± - 2 PLC ± - 3 PLC ± - 4 PLC ± - ANGLES ± -		WEIGHT -	SIZE A3	CAGE CODE 00779	DRAWING NO C-8-1768047-0
MATERIAL -		FINISH -	CUSTOMER DRAWING		RESTRICTED TO -
		SCALE NTS	SHEET 1 OF 3	REV 1	

THIS DRAWING IS UNPUBLISHED.

RELEASED FOR PUBLICATION

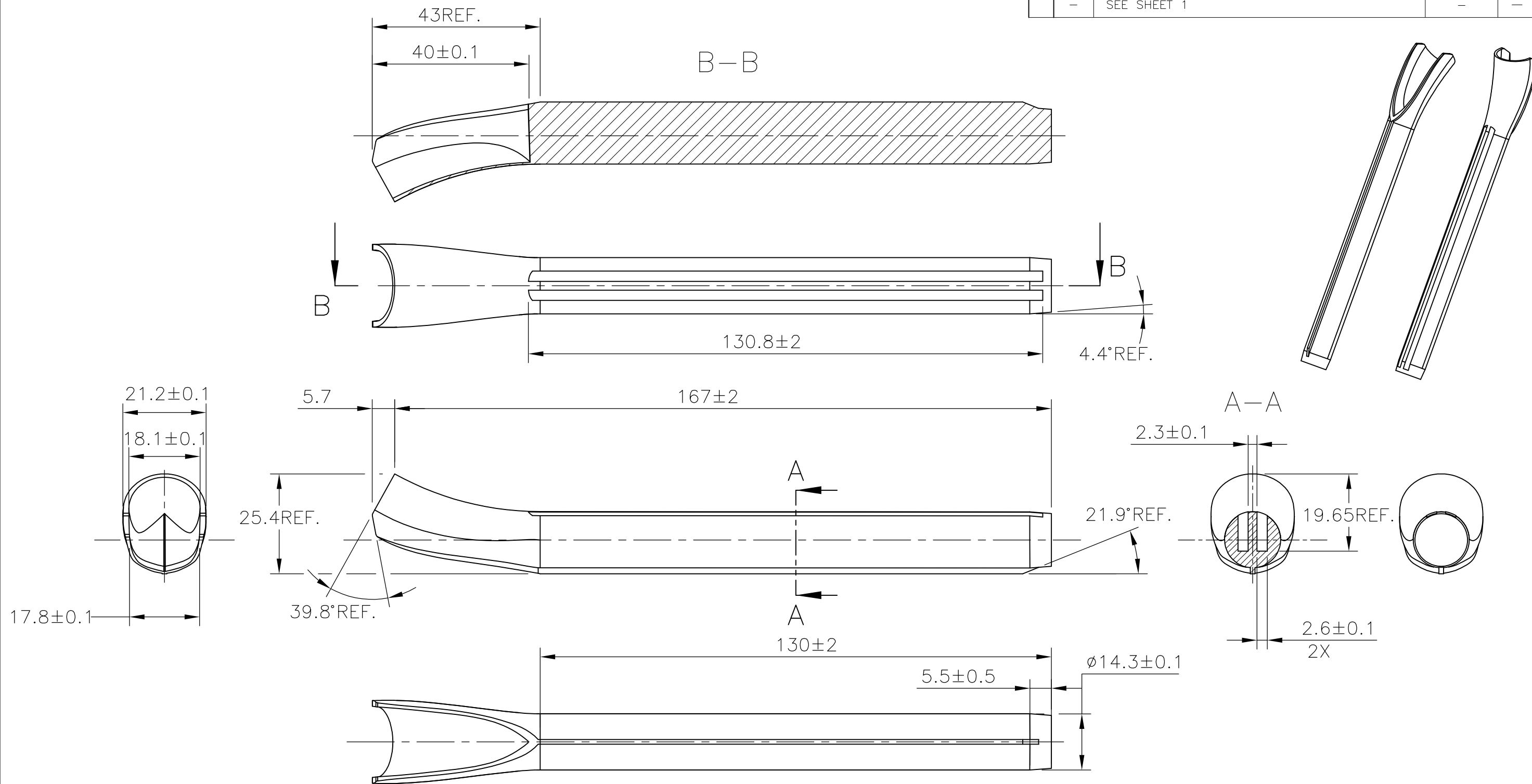
ALL RIGHTS RESERVED.

LOC DIST

REVISIONS

© COPYRIGHT - By -

P	LTR	DESCRIPTION	DATE	DWN	APVD
-	-	SEE SHEET 1	-	-	-



THIS DRAWING IS A CONTROLLED DOCUMENT.		DWN RAGHAVENDRA K 25MAR2013	STE TE Connectivity	
		CHK KEAN ALAN 25MAR2013		
DIMENSIONS: mm		APVD MARIO APPELLO 25MAR2013	NAME SNAP-ON MARKER STB/STD 24 WITH APPLICATOR	
TOLERANCES UNLESS OTHERWISE SPECIFIED:		PRODUCT SPEC	-	
0 PLC ± -		APPLICATION SPEC	-	
1 PLC ± -		WEIGHT	-	
2 PLC ± -		SIZE	A3	CAGE CODE
3 PLC ± -		DRAWING NO	G-8-1768047-0	
4 PLC ± -		RESTRICTED TO	-	
ANGLES ± -		SCALE	NTS	
FINISH		SHEET	2 OF 3	
-		REV	1	
CUSTOMER DRAWING				

THIS DRAWING IS UNPUBLISHED. RELEASED FOR PUBLICATION
 © COPYRIGHT - By - ALL RIGHTS RESERVED.

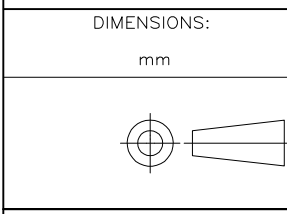
LOC	DIST	REVISIONS					
		P	LTR	DESCRIPTION	DATE	DWN	APVD
-	-	-	-	SEE SHEET 1	-	-	-

DESCRIPTION	PART NO.
STB24-BLANK-2	6-1768040-8
STB24-BLANK-5	7-1768040-0
STB24-BLANK-6	7-1768040-1
STD24-APPLICATOR	8-1768047-0
STD24W-0	8-1768047-1
STD24W-1	866522-000
STD24W-2	640576-000
STD24W-3	417638-000
STD24W-4	542894-000
STD24W-5	978190-000
STD24W-6	905034-000
STD24W-7	273650-000
STD24W-8	187136-000
STD24W-9	394338-000
STD24W-A	197264-000
STD24W-B	314578-000
STD24W-BLANK	8-1768047-4
STD24W-C	946230-000
STD24W-D	339676-000
STD24W-DOT	8-1768047-8
STD24W-E	398232-000
STD24W-EARTH	8-1768047-9
STD24W-F	549392-000
STD24W-G	928554-000
STD24W-H	917568-000
STD24W-I	901502-000
STD24W-J	687814-000
STD24W-K	732956-000
STD24W-L	759108-000
STD24W-M	301210-000
STD24W-MINUS	9-1768047-6
STD24W-N	817492-000

DESCRIPTION	PART NO.
STD24W-P	968824-000
STD24W-PLUS	9-1768047-9
STD24W-Q	399170-000
STD24W-R	464414-000
STD24W-S	040998-000
STD24W-SLASH	716408-000
STD24W-T	264594-000
STD24W-U	154936-000
STD24W-V	271808-000
STD24W-W	116634-000
STD24W-X	233500-000
STD24W-Y	138132-000
STD24W-Z	840894-000
STD24Y-0	1768048-2
STD24Y-1	340014-000
STD24Y-2	805844-000
STD24Y-3	123558-000
STD24Y-4	081620-000
STD24Y-5	201302-000
STD24Y-6	532738-000
STD24Y-7	579826-000
STD24Y-8	918298-000
STD24Y-9	537750-000
STD24Y-A	031882-000
STD24Y-B	336486-000
STD24Y-BLANK	1768048-5
STD24Y-C	104986-000
STD24Y-D	802932-000
STD24Y-E	1-1768048-0
STD24Y-F	1-1768048-3
STD24Y-G	1-1768048-5

DESCRIPTION	PART NO.
STD24Y-H	1-1768048-7
STD24Y-I	1-1768048-9
STD24Y-J	2-1768048-0
STD24Y-K	2-1768048-1
STD24Y-L	320608-000
STD24Y-M	2-1768048-4
STD24Y-MINUS	2-1768048-5
STD24Y-N	2-1768048-7
STD24Y-P	2-1768048-9
STD24Y-Q	3-1768048-1
STD24Y-R	833408-000
STD24Y-S	3-1768048-3
STD24Y-SLASH	3-1768048-4
STD24Y-T	3-1768048-5
STD24Y-U	3-1768048-6
STD24Y-V	3-1768048-7
STD24Y-W	3-1768048-8
STD24Y-X	3-1768048-9
STD24Y-Y	4-1768048-0
STD24Y-Z	4-1768048-1

THIS DRAWING IS A CONTROLLED DOCUMENT.



DIMENSIONS:	TOLERANCES UNLESS OTHERWISE SPECIFIED:
mm	
0 PLC	± -
1 PLC	± -
2 PLC	± -
3 PLC	± -
4 PLC	± -
ANGLES	± -
FINISH	-

DWN	25MAR2013
RAGHAVENDRA K	
CHK	25MAR2013
KEAN ALAN	
APVD	25MAR2013
MARIO APPELLO	
PRODUCT SPEC	
APPLICATION SPEC	
WEIGHT	-



NAME: SNAP-ON MARKER STB/STD 24 WITH APPLICATOR

SIZE	CAGE CODE	DRAWING NO	RESTRICTED TO
A3	00779	C-8-1768047-0	-

CUSTOMER DRAWING SCALE NTS SHEET 3 OF 3 REV 1

X-ON Electronics

Largest Supplier of Electrical and Electronic Components

Click to view similar products for [Wire Identification](#) category:

Click to view products by [TE Connectivity](#) manufacturer:

Other Similar products are found below :

[CU6337-000](#) [CU6342-000](#) [FCA-410-12](#) [11631010](#) [1-1768037-1](#) [1-1768037-2](#) [1-1768050-0](#) [PXLK-VI](#) [Q62184-1](#) [A64304-000](#) [QMT221](#)
[HK032WE1NF038B](#) [1330-0519-10](#) [1395199-1](#) [1395200-1](#) [1395202-1](#) [DMVF050WE-300S6](#) [D-SCE-1K-2.4-50-4-CS7834](#) [1538738-1](#)
[E90935-000](#) [EC1238-000](#) [EC1465-000](#) [EC1855-000](#) [EC1859-000](#) [EC1863-000](#) [EC5415-000](#) [EC7277-000](#) [EC7352-000](#) [EC7603-000](#)
[EC7707-000](#) [EC7735-000](#) [EC7768-000](#) [EC7828-000](#) [EC7854-000](#) [EC7952-000](#) [EC8128-000](#) [1768037-8](#) [1768041-7](#) [NC-127191-10-9](#)
[HS048WE2NF038B](#) [C03232-000](#) [HTCM-SCE-14-4H-9](#) [HTMS-3/16-9](#) [HT-SCE-1/4-2.0-4](#) [HT-SCE-3/16-2.0-4](#) [HTTMS-1/2-1.50-9](#) [HTTMS-](#)
[CM-1/2-4H-9](#) [HX-SCE-19.0-50-9](#) [HX-SCE-6.4-50-4](#) [C25254-000](#)